

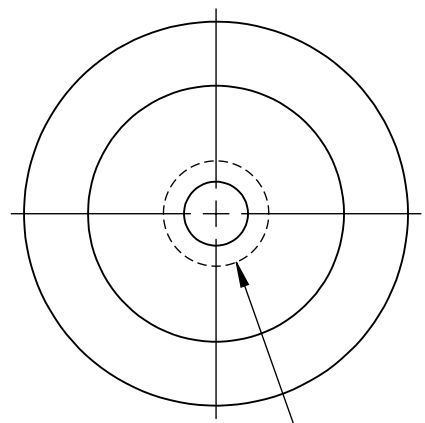
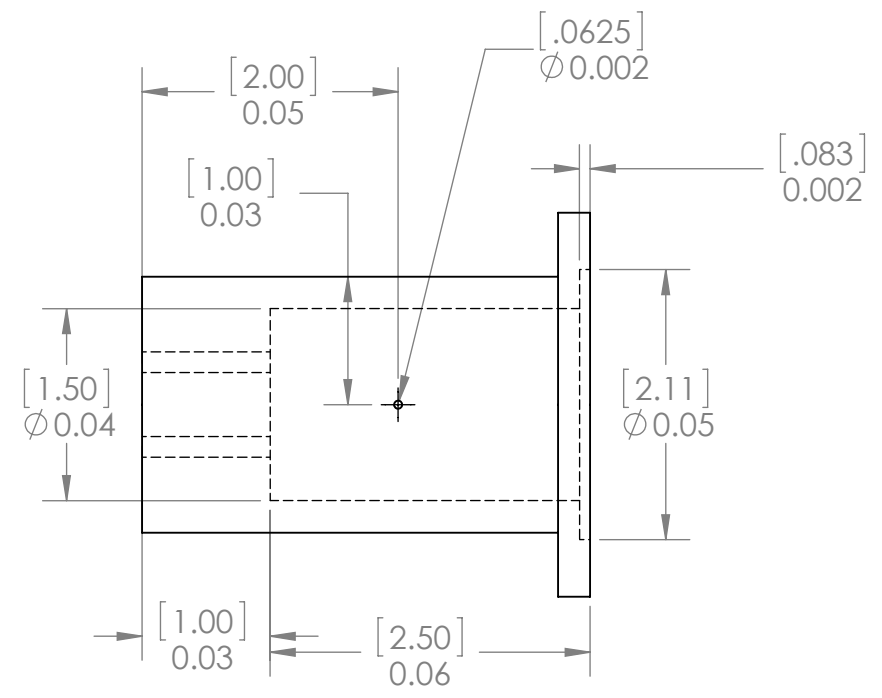
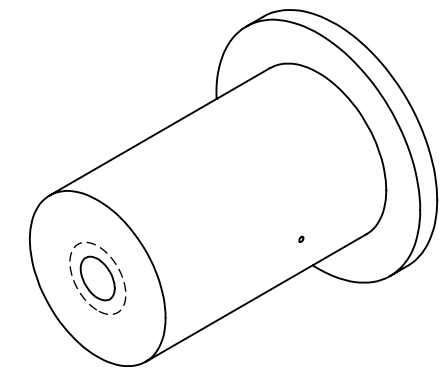
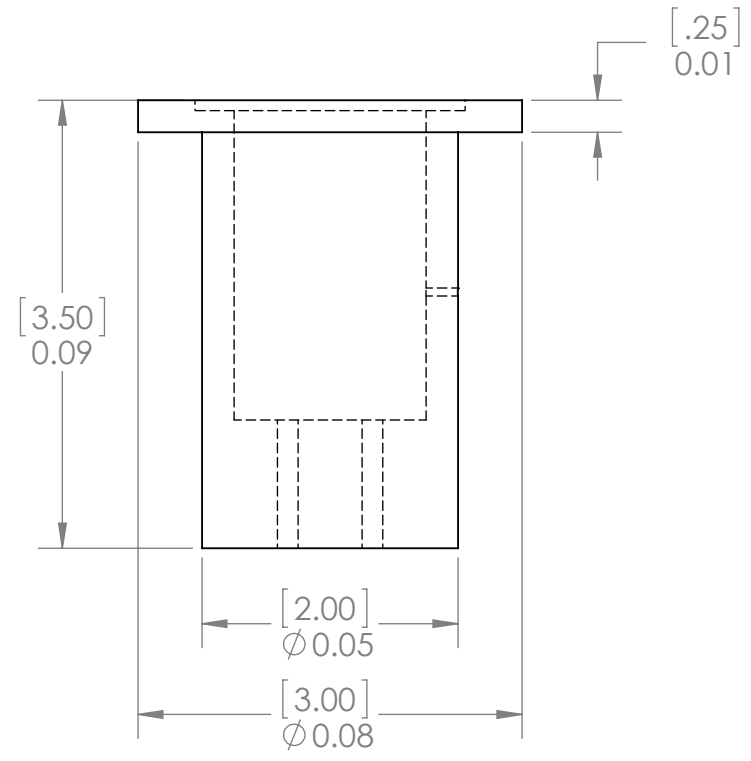
4

3

2

1

REVISIONS				
ZONE	REV.	DESCRIPTION	DATE	APPROVED
	A	CREATED NEW DRAWING	12/5/2015	KD
	B	CHANGED MATERIAL, DIMENSIONS, MACHINING, P/N	2/24/2016	KD



1/2-14 NPT Straight Pipe Tapped Thread

- NOTES:
- MATERIAL TO BE 3" ROUND 6061 ALUMINUM BAR
 - INLET THREAD TO CONFORM WITH NPT STANDARDS

PROPRIETARY AND CONFIDENTIAL
 THE INFORMATION CONTAINED IN THIS DRAWING IS THE SOLE PROPERTY OF <INSERT COMPANY NAME HERE>. ANY REPRODUCTION IN PART OR AS A WHOLE WITHOUT THE WRITTEN PERMISSION OF <INSERT COMPANY NAME HERE> IS PROHIBITED.

		UNLESS OTHERWISE SPECIFIED: DIMENSIONS ARE IN METERS TOLERANCES: X ± 1 .X ± .1 .XX ± .01 .XXX ± .005 ANGLES ± .5°	NAME	DATE		
		INTERPRET GEOMETRIC TOLERANCING PER:	DRAWN	KD	2/24/16	TITLE: Thermostat Housing Inlet
		MATERIAL 6061 ALUMINUM	CHECKED			
		FINISH	ENG APPR.			
NEXT ASSY	USED ON		MFG APPR.			
APPLICATION		DO NOT SCALE DRAWING	Q.A.			
			COMMENTS:			SIZE B DWG. NO. WS-302 REV B
						SCALE: 1:2 WEIGHT: SHEET 1 OF 1

4

3

2

1

B

B

A

A