

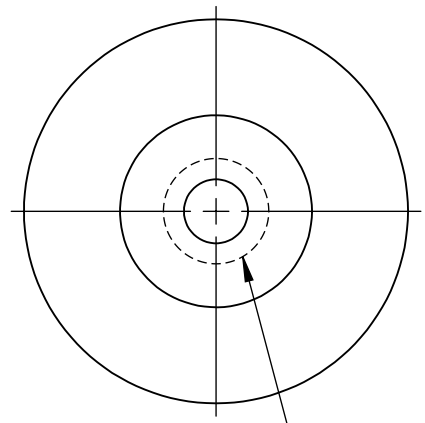
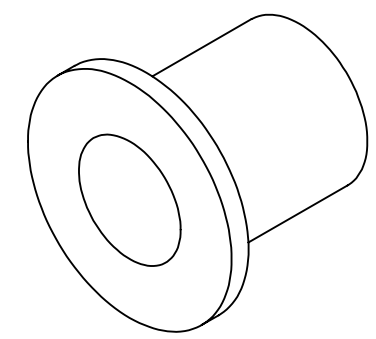
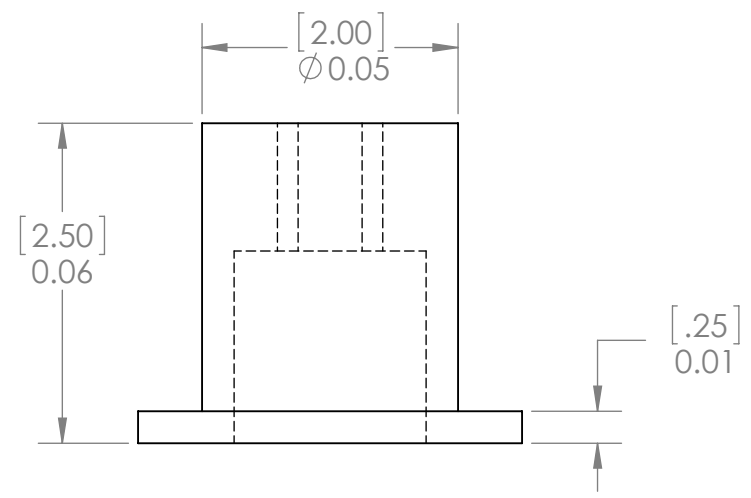
4

3

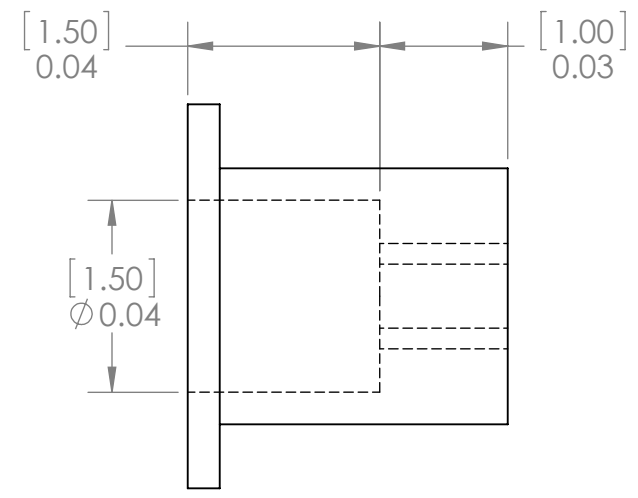
2

1

REVISIONS				
ZONE	REV.	DESCRIPTION	DATE	APPROVED
	A	CREATED NEW DRAWING	12/5/2015	KD
	B	CHANGED MATERIAL, DIMENSIONS, MACHINING, P/N	2/24/2016	KD



1/2-14 NPT Straight Pipe Tapped Thread



- NOTES:
- MATERIAL TO BE 3" ROUND 6061 ALUMINUM BAR
  - OUTLET THREAD TO CONFORM WITH NPT STANDARDS

**PROPRIETARY AND CONFIDENTIAL**  
 THE INFORMATION CONTAINED IN THIS DRAWING IS THE SOLE PROPERTY OF <INSERT COMPANY NAME HERE>. ANY REPRODUCTION IN PART OR AS A WHOLE WITHOUT THE WRITTEN PERMISSION OF <INSERT COMPANY NAME HERE> IS PROHIBITED.

		UNLESS OTHERWISE SPECIFIED:	NAME	DATE	TITLE: <h1>Thermostat Housing Outlet</h1>	
		DIMENSIONS ARE IN METERS	DRAWN	KD		2/24/16
		TOLERANCES:	CHECKED			
		X ± 1	ENG APPR.			
		.X ± .1	MFG APPR.			
		.XX ± .01	Q.A.			
		.XXX ± .005	COMMENTS:			
		ANGLES ± .5°				
		INTERPRET GEOMETRIC TOLERANCING PER:				
		MATERIAL			SIZE	
		6061 ALUMINUM			DWG. NO.	
		FINISH			WS-303	
NEXT ASSY	USED ON				REV	
					B	
APPLICATION		DO NOT SCALE DRAWING			SCALE: 1:2	
					WEIGHT:	
					SHEET 1 OF 1	

4

3

2

1

B

B

A

A