

4

3

2

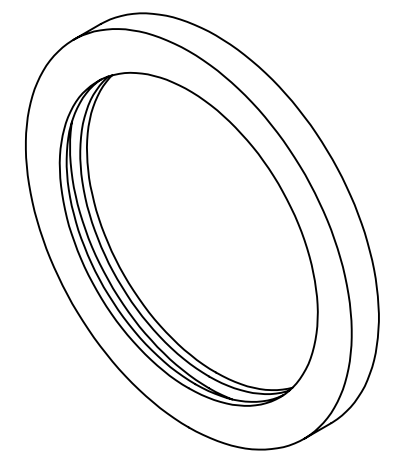
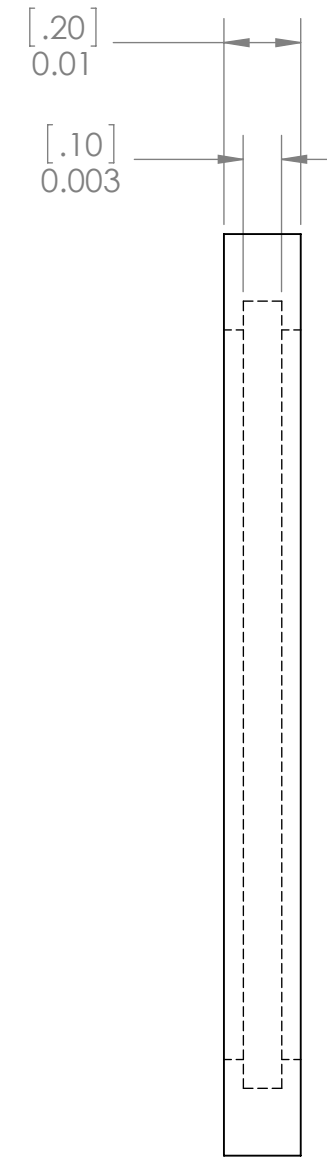
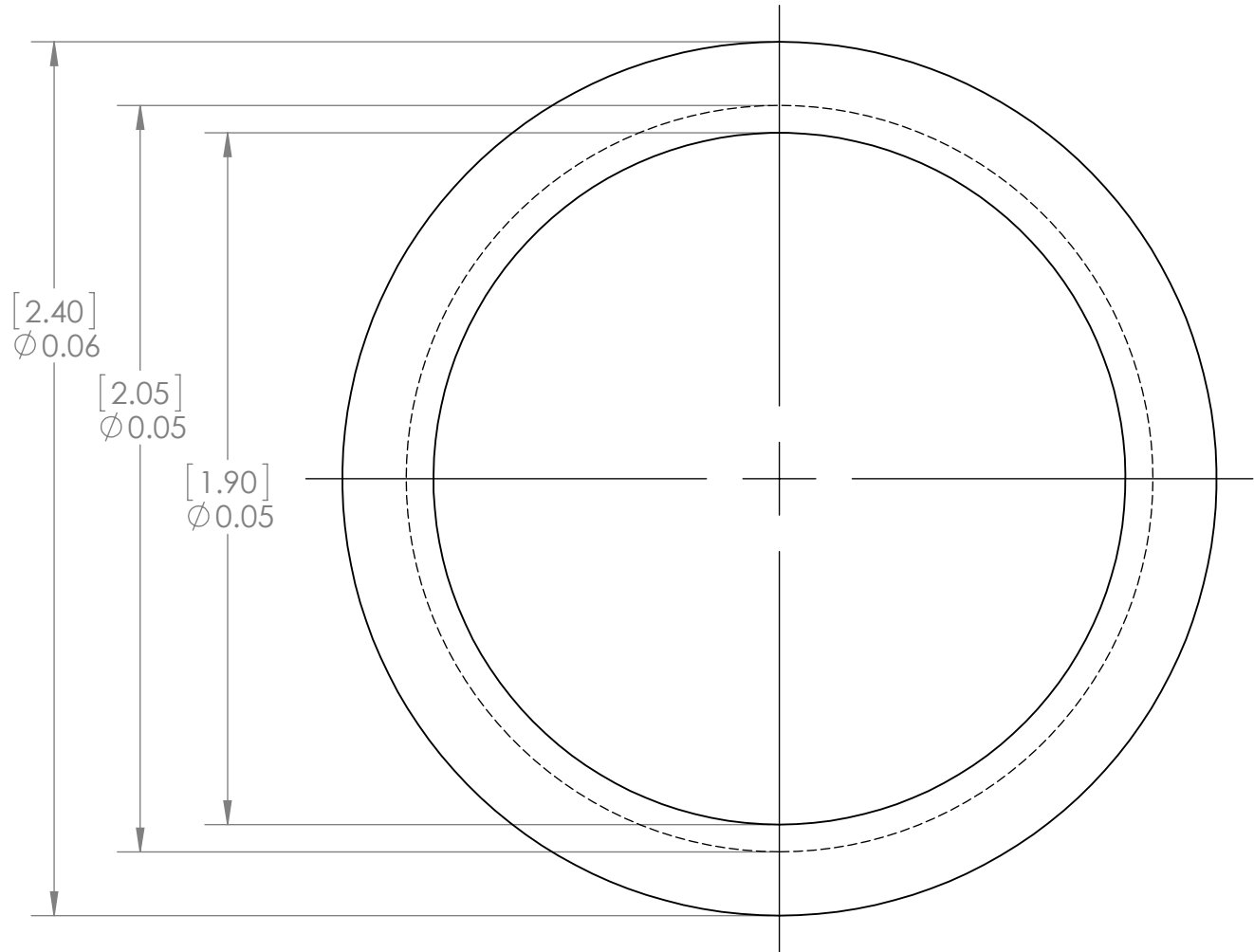
1

REVISIONS

ZONE	REV.	DESCRIPTION	DATE	APPROVED
	A	CREATED NEW DRAWING	12/5/2015	KD

B

B



- NOTES:
 1. STANT 27276 THERMOSTAT SEAL
 2. NOMINAL DIMENSIONS ARE SPECIFIED BY MANUFACTURER

A

A

PROPRIETARY AND CONFIDENTIAL
 THE INFORMATION CONTAINED IN THIS DRAWING IS THE SOLE PROPERTY OF <INSERT COMPANY NAME HERE>. ANY REPRODUCTION IN PART OR AS A WHOLE WITHOUT THE WRITTEN PERMISSION OF <INSERT COMPANY NAME HERE> IS PROHIBITED.

		UNLESS OTHERWISE SPECIFIED: DIMENSIONS ARE IN METERS TOLERANCES: X ± 1 .X ± .1 .XX ± .01 .XXX ± .005 ANGLES ± .5°	NAME	DATE		
		INTERPRET GEOMETRIC TOLERANCING PER:	DRAWN	KD	12/5/15	TITLE:
		MATERIAL	CHECKED			GASKET
		FINISH	ENG APPR.			
NEXT ASSY	USED ON	APPLICATION	MFG APPR.			SIZE
		DO NOT SCALE DRAWING	Q.A.			DWG. NO.
			COMMENTS:			B
						WS-306
						REV
						A
						SCALE: 1:1
						WEIGHT:
						SHEET 1 OF 1

4

3

2

1