

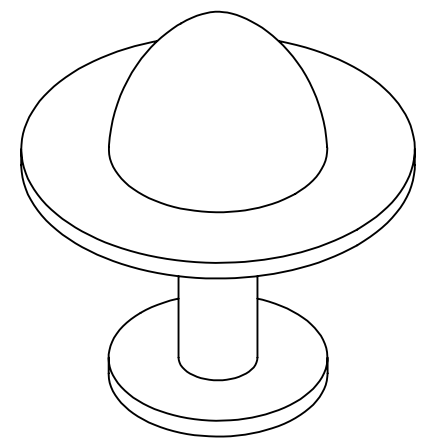
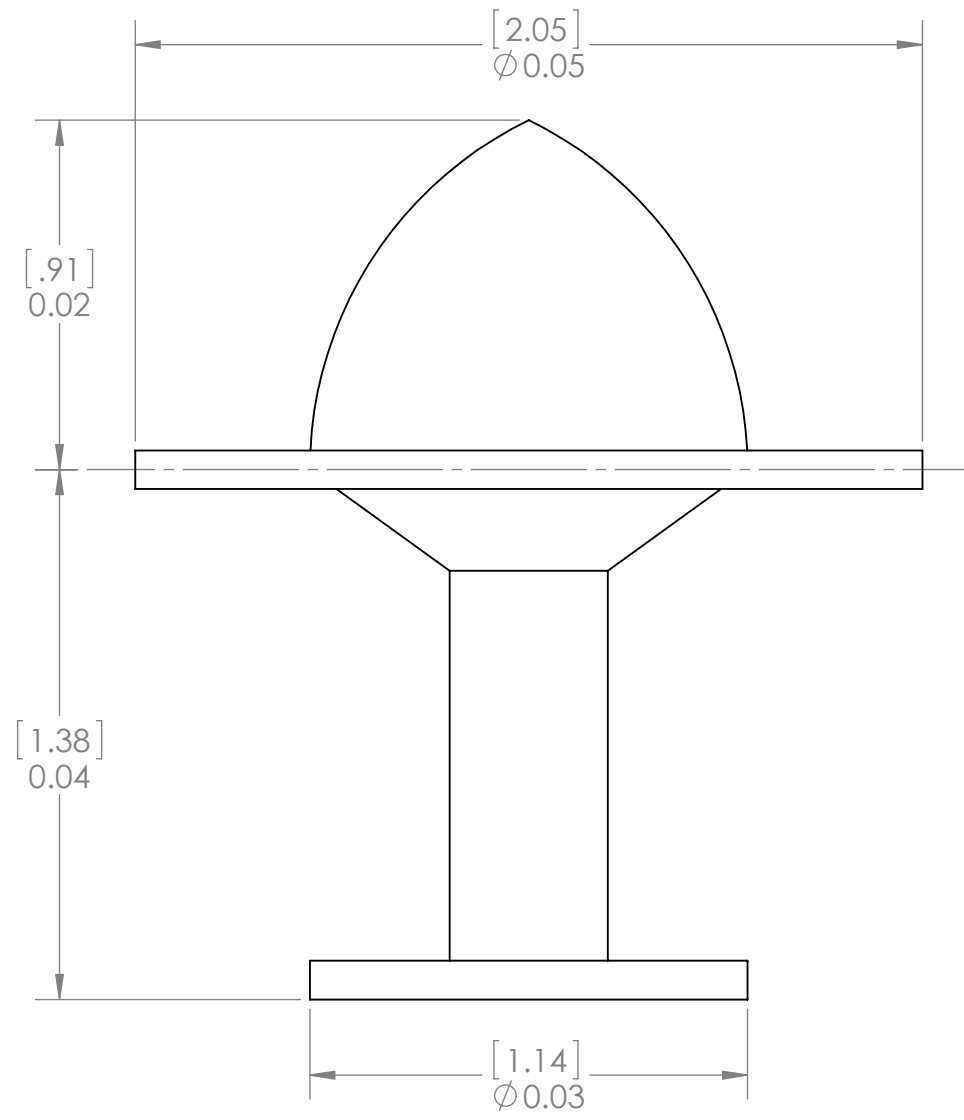
4

3

2

1

REVISIONS				
ZONE	REV.	DESCRIPTION	DATE	APPROVED
	A	CREATED NEW DRAWING	12/5/2015	KD



- NOTES:
- STANT 45877 SUPERSTAT THERMOSTAT - 170 DEGREES FAHRENHEIT
 - NOMINAL DIMENSIONS ARE SPECIFIED BY MANUFACTURER

PROPRIETARY AND CONFIDENTIAL
 THE INFORMATION CONTAINED IN THIS DRAWING IS THE SOLE PROPERTY OF <INSERT COMPANY NAME HERE>. ANY REPRODUCTION IN PART OR AS A WHOLE WITHOUT THE WRITTEN PERMISSION OF <INSERT COMPANY NAME HERE> IS PROHIBITED.

		UNLESS OTHERWISE SPECIFIED:	NAME	DATE		
		DIMENSIONS ARE IN METERS	DRAWN	KD	12/5/15	TITLE: THERMOSTAT
		TOLERANCES:	CHECKED			
		X ± 1	ENG APPR.			
		.X ± .1	MFG APPR.			
		.XX ± .01	Q.A.			
		.XXX ± .005	COMMENTS:			SIZE DWG. NO. REV
		ANGLES ± .5°				B WS-307 A
		INTERPRET GEOMETRIC TOLERANCING PER:				SCALE: 1:1 WEIGHT: SHEET 1 OF 1
		MATERIAL				
NEXT ASSY	USED ON	FINISH				
APPLICATION		DO NOT SCALE DRAWING				

4

3

2

1

B

B

A

A