

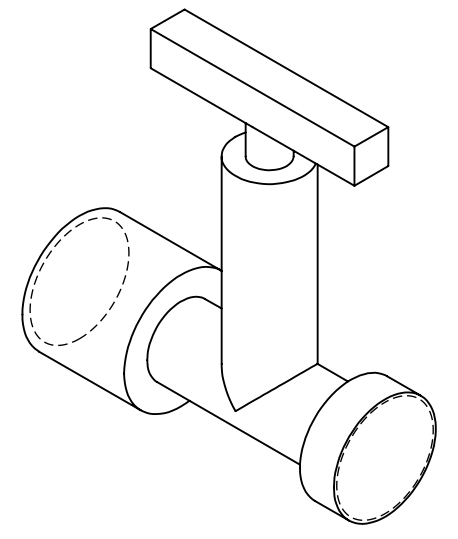
4

3

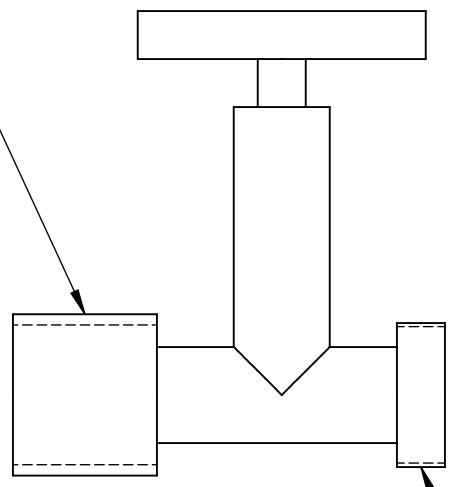
2

1

REVISIONS				
ZONE	REV.	DESCRIPTION	DATE	APPROVED
	A	CREATED NEW DRAWING	2/26/2016	KD



1/2-14 NPSM Straight Pipe Tapped Thread



3/4-11.5 GHT

NOTES:

1. MODEL # VHNSTDF3EB FROM HOME DEPOT
2. 3/4" HOSE THREAD OUTLET
3. 1/2" PIPE THREAD INLET

PROPRIETARY AND CONFIDENTIAL
 THE INFORMATION CONTAINED IN THIS DRAWING IS THE SOLE PROPERTY OF <INSERT COMPANY NAME HERE>. ANY REPRODUCTION IN PART OR AS A WHOLE WITHOUT THE WRITTEN PERMISSION OF <INSERT COMPANY NAME HERE> IS PROHIBITED.

		UNLESS OTHERWISE SPECIFIED:	NAME	DATE		
		DIMENSIONS ARE IN METERS	DRAWN	KD	2/26/16	TITLE: BRASS HOSE BIBB
		TOLERANCES:	CHECKED			
		X ± 1	ENG APPR.			
		.X ± .1	MFG APPR.			
		.XX ± .01	Q.A.			SIZE DWG. NO. REV B WS-312 A
		.XXX ± .005	COMMENTS:			
		ANGLES ± .5°				SCALE: 1:1 WEIGHT: SHEET 1 OF 1
		INTERPRET GEOMETRIC TOLERANCING PER:				
		MATERIAL	BRASS			
NEXT ASSY	USED ON	FINISH				
APPLICATION		DO NOT SCALE DRAWING				

4

3

2

1

B

B

A

A