

4

3

2

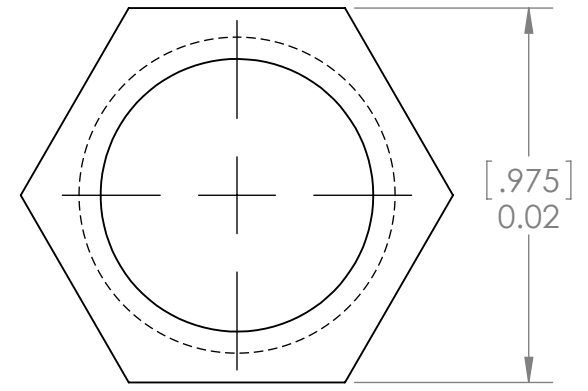
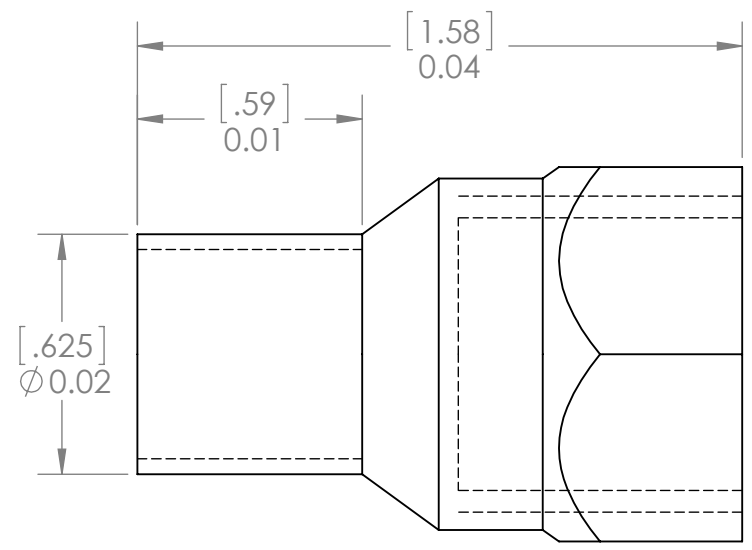
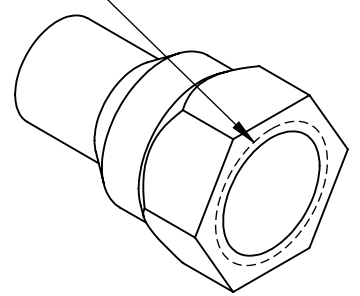
1

| REVISIONS | | | | |
|-----------|------|-----------------------|-----------|----------|
| ZONE | REV. | DESCRIPTION | DATE | APPROVED |
| | A | CREATED A NEW DRAWING | 2/25/2016 | KD |

B

B

1/2-14 NPSM Straight Pipe Tapped Thread



A

A

NOTES:
 1. MODEL # C603HD12 FROM HOME DEPOT

PROPRIETARY AND CONFIDENTIAL
 THE INFORMATION CONTAINED IN THIS DRAWING IS THE SOLE PROPERTY OF <INSERT COMPANY NAME HERE>. ANY REPRODUCTION IN PART OR AS A WHOLE WITHOUT THE WRITTEN PERMISSION OF <INSERT COMPANY NAME HERE> IS PROHIBITED.

| | | | | | | |
|-------------|---------|--------------------------------------|-----------|------|---|---------|
| | | UNLESS OTHERWISE SPECIFIED: | NAME | DATE | TITLE: <h3>1/2" FEMALE ADAPTER</h3> | |
| | | DIMENSIONS ARE IN METERS | DRAWN | KD | | 2/25/16 |
| | | TOLERANCES: | CHECKED | | | |
| | | X ± 1 | ENG APPR. | | | |
| | | .X ± .1 | MFG APPR. | | | |
| | | .XX ± .01 | Q.A. | | | |
| | | .XXX ± .005 | COMMENTS: | | | |
| | | ANGLES ± .5° | | | | |
| | | INTERPRET GEOMETRIC TOLERANCING PER: | | | | |
| | | MATERIAL | | | | |
| | | COPPER | | | | |
| NEXT ASSY | USED ON | FINISH | | | SIZE B DWG. NO. WS-313 REV A | |
| APPLICATION | | DO NOT SCALE DRAWING | | | SCALE: 2:1 WEIGHT: SHEET 1 OF 1 | |

4

3

2

1