

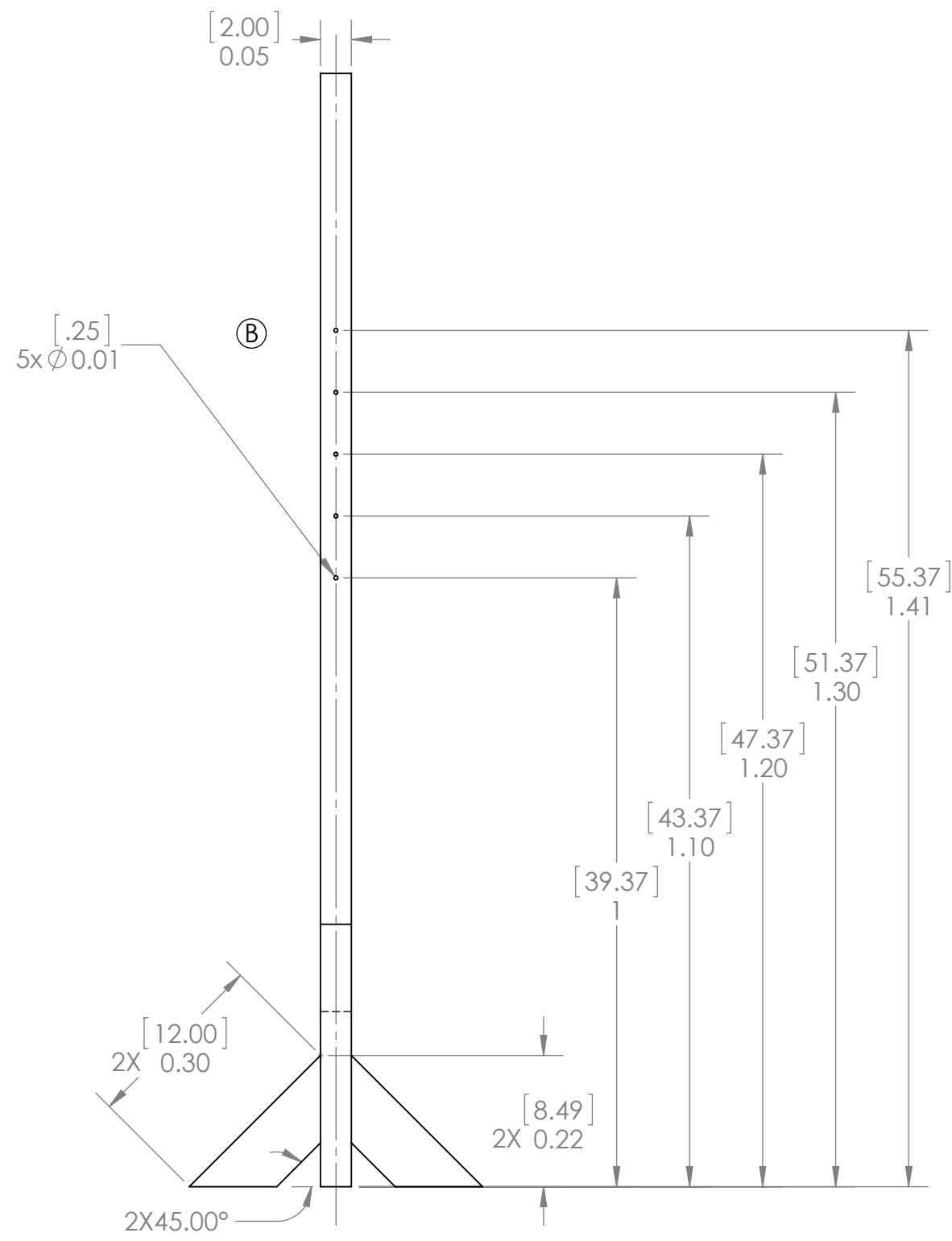
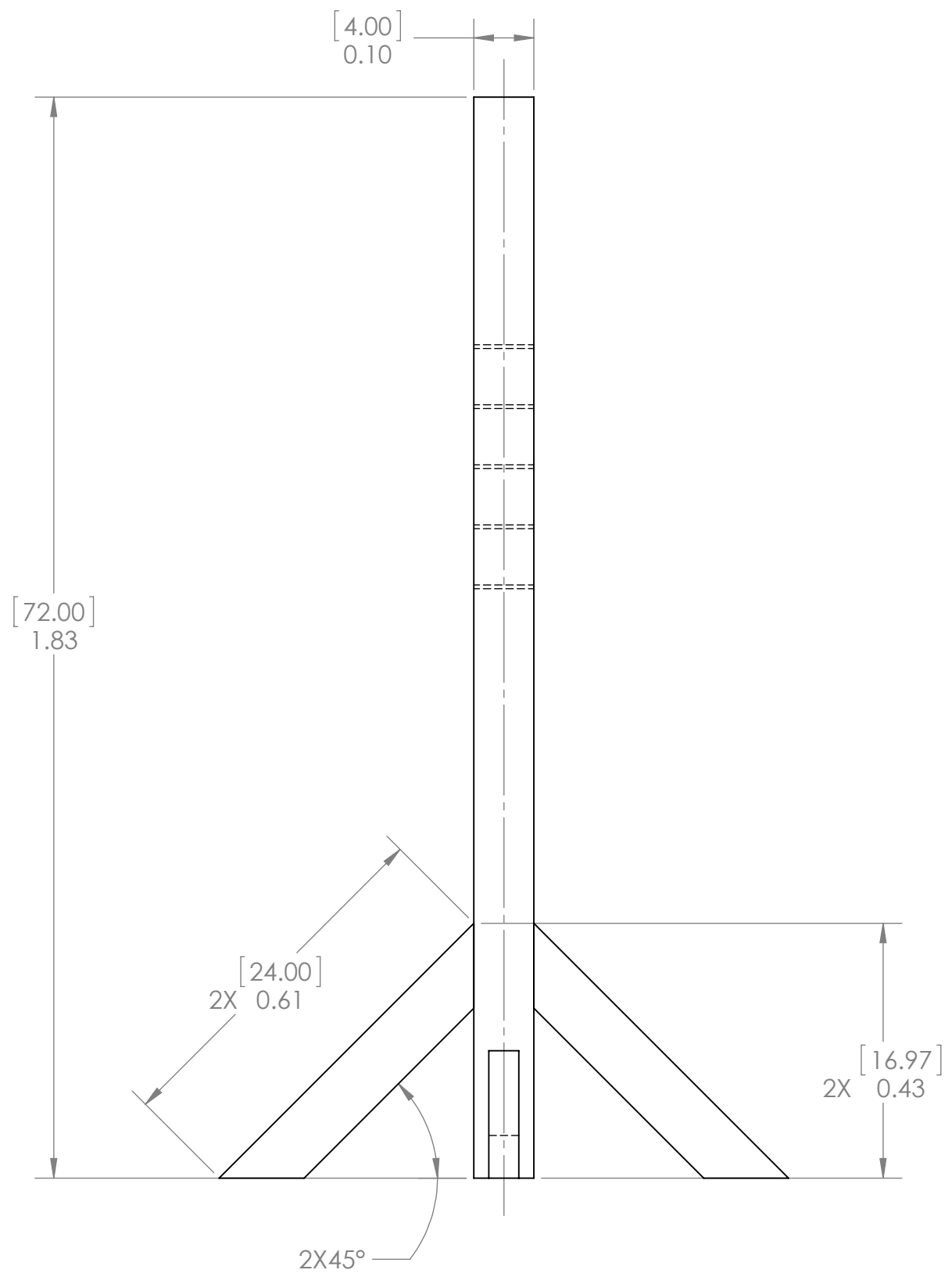
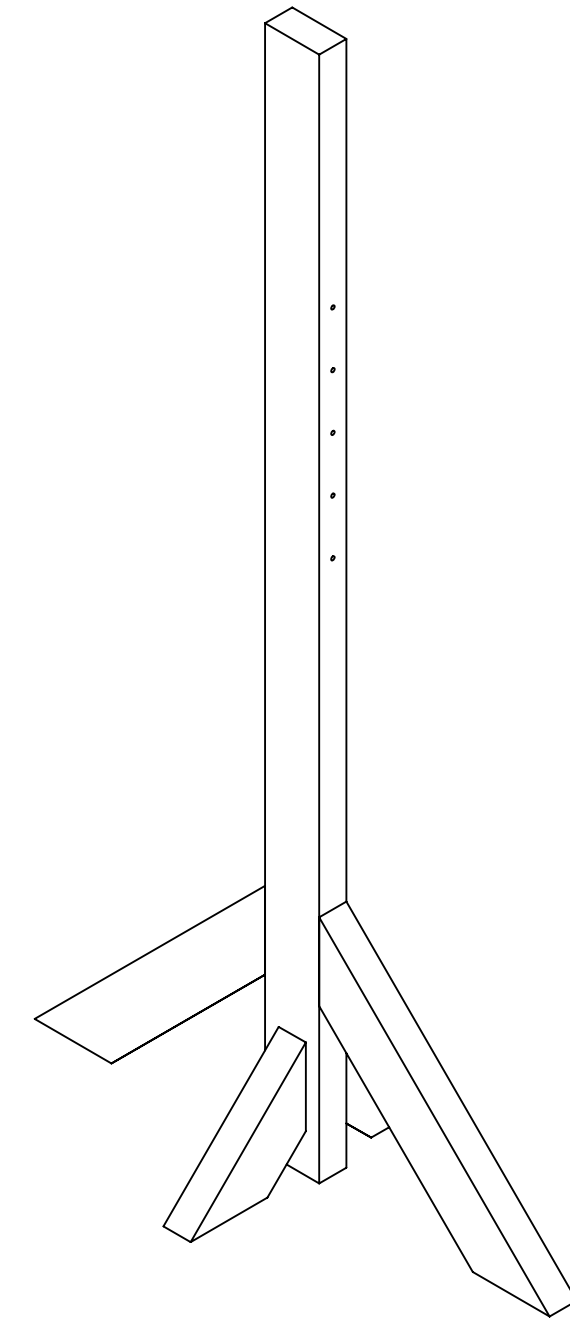
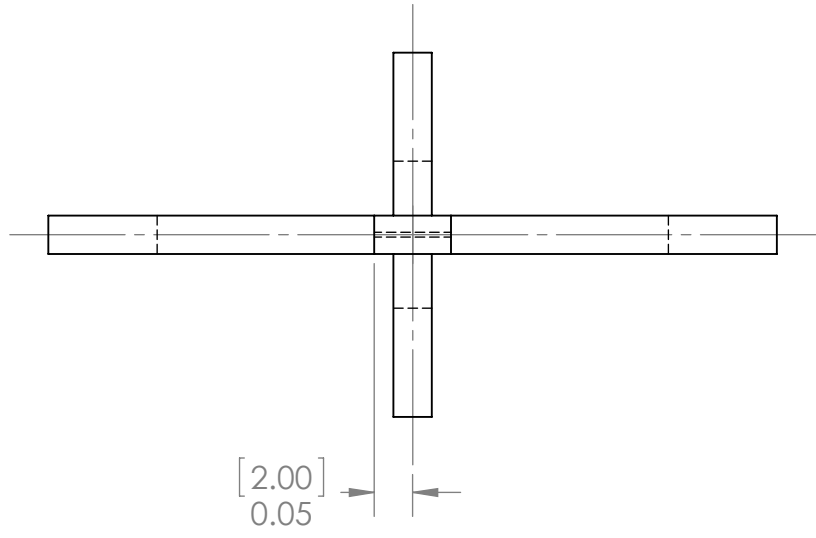
4

3

2

1

REVISIONS				
ZONE	REV.	DESCRIPTION	DATE	APPROVED
	A	CREATED NEW DRAWING	12/11/2015	KD
C2	B	ADDED PEG LOCATIONS	12/7/2015	KD



- NOTES:
1. ALL LUMBER TO BE (2" x 4")
 2. ALL CUTS TO BE MADE WITH MITER SAW
 3. HOLES TO BE DRILLED USING 1/4" BIT
 4. LEGS TO BE FASTENED TO USING 2" SCREWS

PROPRIETARY AND CONFIDENTIAL
 THE INFORMATION CONTAINED IN THIS DRAWING IS THE SOLE PROPERTY OF <INSERT COMPANY NAME HERE>. ANY REPRODUCTION IN PART OR AS A WHOLE WITHOUT THE WRITTEN PERMISSION OF <INSERT COMPANY NAME HERE> IS PROHIBITED.

UNLESS OTHERWISE SPECIFIED:		NAME	DATE	TITLE: WOODEN POST
DIMENSIONS ARE IN METERS		KD	12/11/15	
TOLERANCES:		CHECKED		SIZE DWG. NO. REV C WS-401 A
X ± .1		ENG APPR.		
.X ± .01		MFG APPR.		SCALE: 1:10 WEIGHT: SHEET 1 OF 1
.XX ± .005		Q.A.		
ANGLES ± .5°		COMMENTS:		
INTERPRET GEOMETRIC TOLERANCING PER:				
MATERIAL WOOD				
FINISH				
NEXT ASSY	USED ON			
APPLICATION				
DO NOT SCALE DRAWING				

4

3

2

1

D

D

C

C

B

B

A

A