

4

3

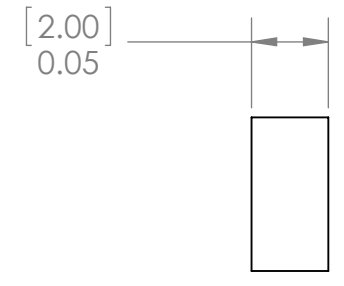
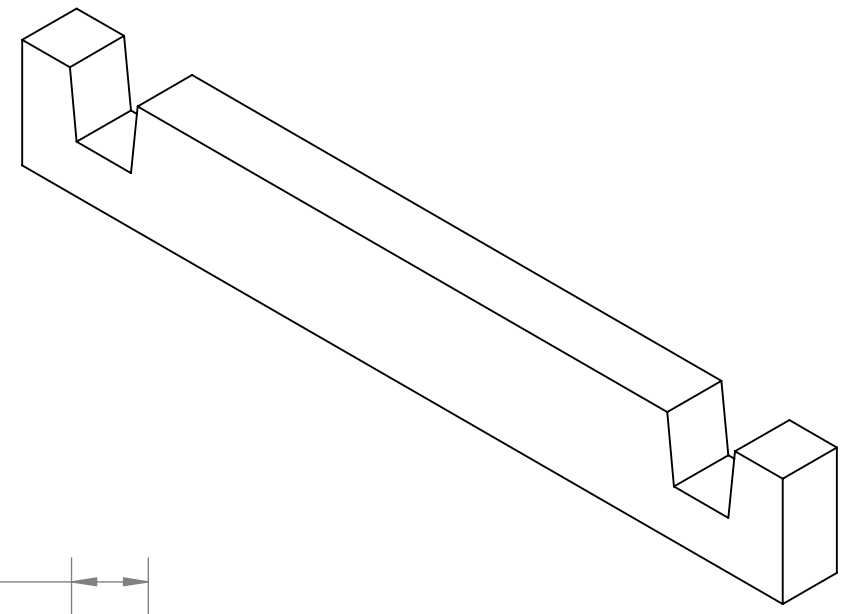
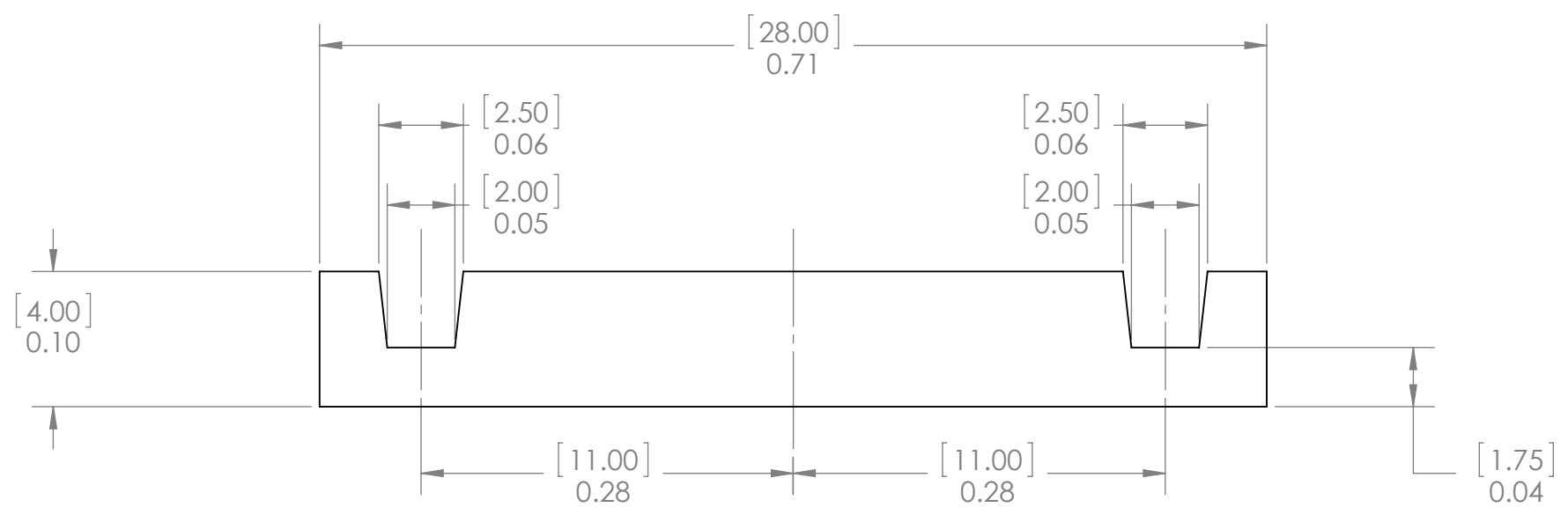
2

1

REVISIONS				
ZONE	REV.	DESCRIPTION	DATE	APPROVED
	A	CREATED NEW DRAWING	12/4/2015	KD

B

B



A

A

NOTES:
1. LUMBER TO BE (2IN X 4IN)

PROPRIETARY AND CONFIDENTIAL
THE INFORMATION CONTAINED IN THIS DRAWING IS THE SOLE PROPERTY OF <INSERT COMPANY NAME HERE>. ANY REPRODUCTION IN PART OR AS A WHOLE WITHOUT THE WRITTEN PERMISSION OF <INSERT COMPANY NAME HERE> IS PROHIBITED.

		UNLESS OTHERWISE SPECIFIED:		NAME	DATE
		DIMENSIONS ARE IN METERS		DRAWN	KD 12/4/15
		TOLERANCES:		CHECKED	
		X ± 1		ENG APPR.	
		.X ± .1		MFG APPR.	
		.XX ± .01		Q.A.	
		.XXX ± .005		COMMENTS:	
		ANGLES ± .5°			
		INTERPRET GEOMETRIC TOLERANCING PER:			
		MATERIAL			
		WOOD			
		FINISH			
NEXT ASSY	USED ON	APPLICATION		DO NOT SCALE DRAWING	
				TITLE:	
				LEAF BOX SUPPORT	
SIZE	DWG. NO.	REV			
B	WS-403	A			
SCALE: 1:5		WEIGHT:		SHEET 1 OF 1	

4

3

2

1