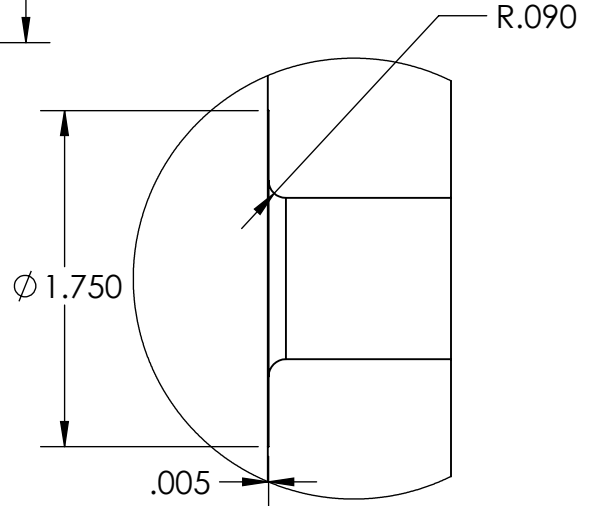
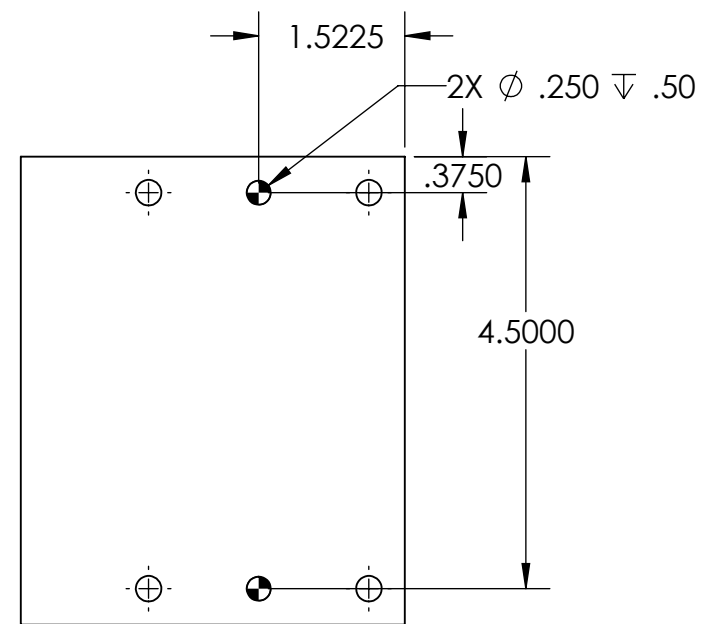
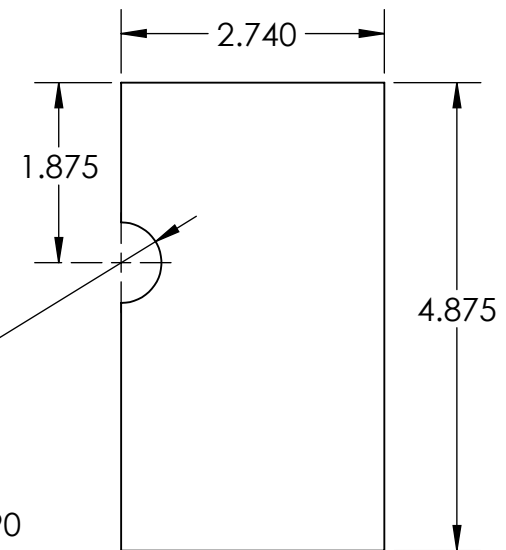
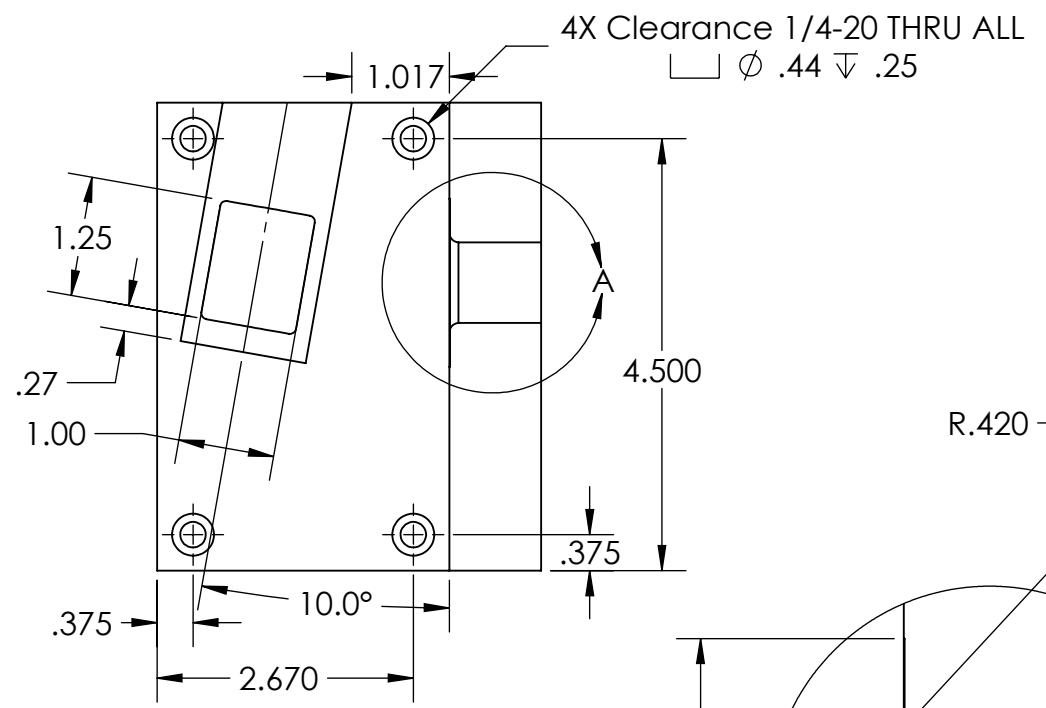
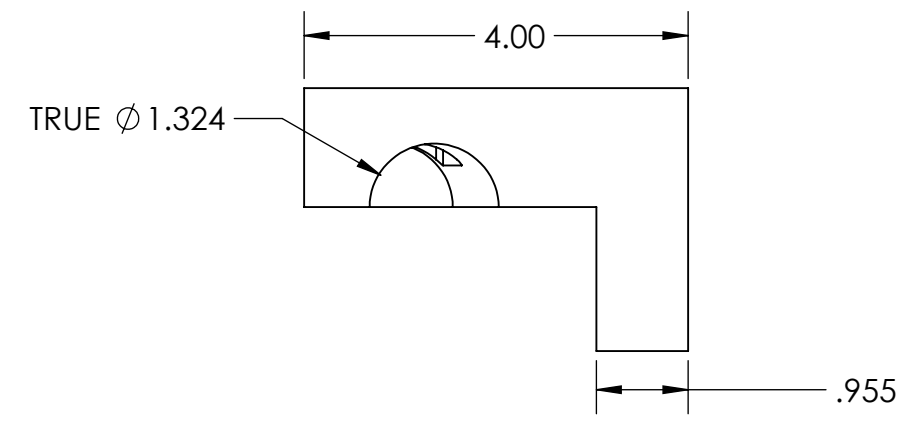
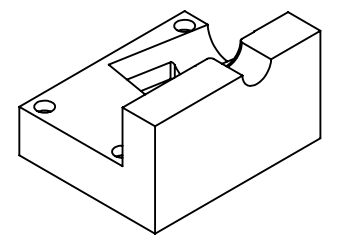


4

3

2

1



CF6-80_Yoke_Plate
 Mat'l: Aluminum
 Qty: 1
 Scale: 1:2

DETAIL A
 SCALE 1 : 1

PROPRIETARY AND CONFIDENTIAL
 THE INFORMATION CONTAINED IN THIS DRAWING IS THE SOLE PROPERTY OF <INSERT COMPANY NAME HERE>. ANY REPRODUCTION IN PART OR AS A WHOLE WITHOUT THE WRITTEN PERMISSION OF <INSERT COMPANY NAME HERE> IS PROHIBITED.

UNLESS OTHERWISE SPECIFIED:		NAME	DATE
DIMENSIONS ARE IN INCHES	DRAWN	B. Mowers	12/4/15
TOLERANCES:	CHECKED		
FRACTIONAL ± 1/16	ENG APPR.		
ANGULAR: MACH ± 0.5 BEND ±	MFG APPR.		
TWO PLACE DECIMAL ± 0.01	Q.A.		
THREE PLACE DECIMAL ± 0.003	COMMENTS:		
INTERPRET GEOMETRIC TOLERANCING PER:			
MATERIAL			
FINISH			
DO NOT SCALE DRAWING			

TITLE:		
CF6-80_Fixture_Assm		
SIZE	DWG. NO.	REV
CF6-80_Fixture		
SCALE: 1:5	WEIGHT:	SHEET 2 OF 4

4

3

2

1

B

B

A

A

4

3

2

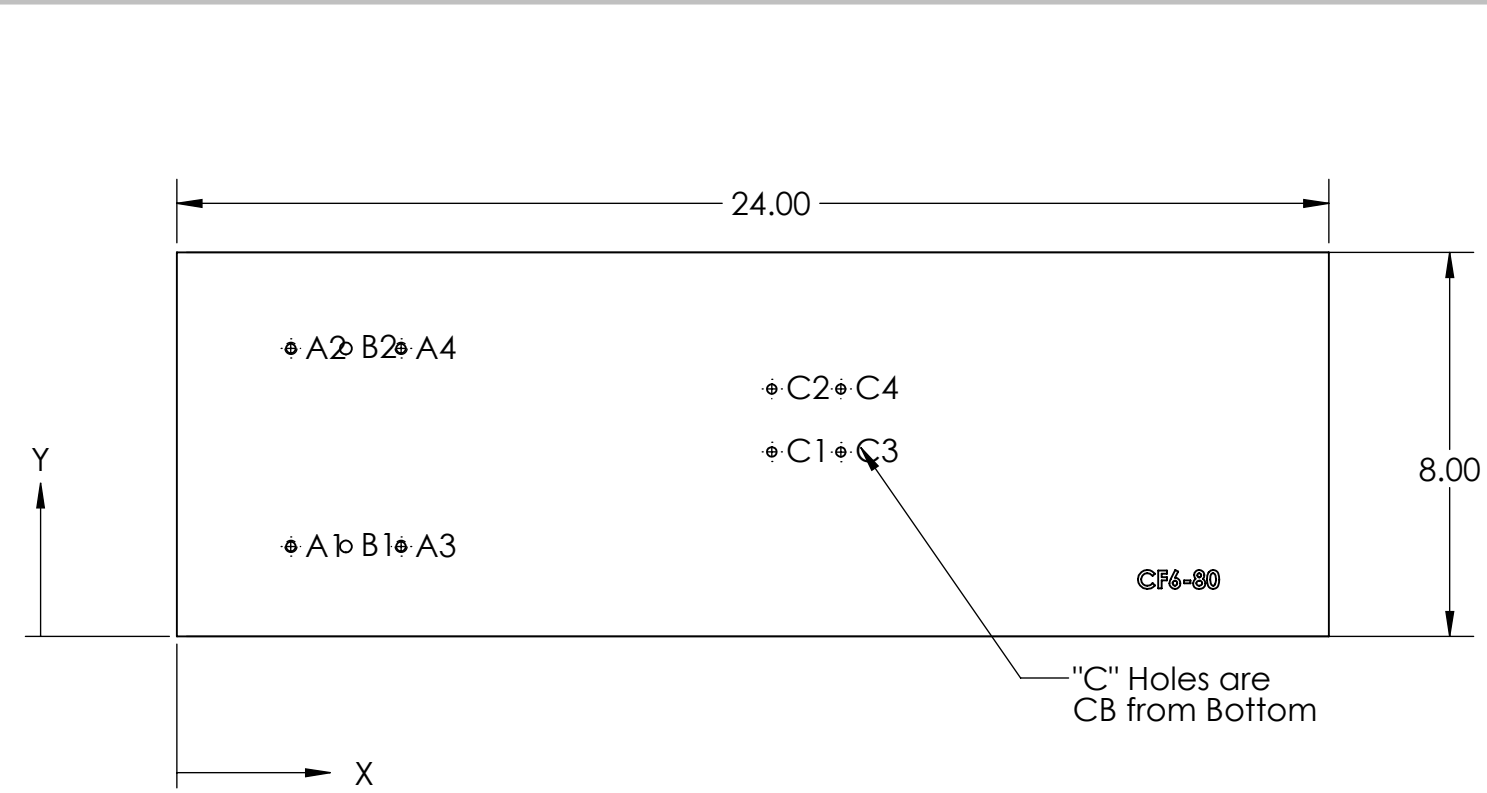
1

B

B

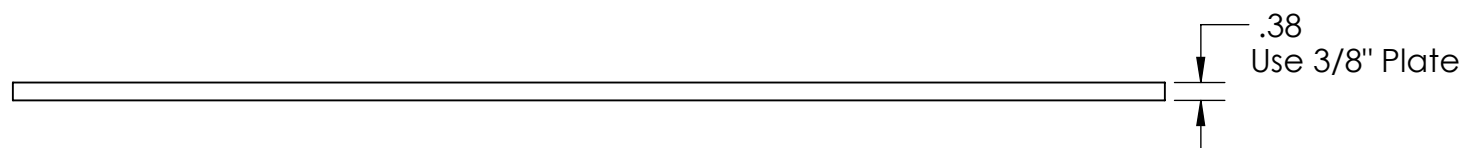
A

A



TAG	X LOC	Y LOC	SIZE
A1	2.375	1.875	∅ .20 THRU ALL 1/4-20 UNC THRU ALL
A2	2.375	6.000	∅ .20 THRU ALL 1/4-20 UNC THRU ALL
A3	4.670	1.875	∅ .20 THRU ALL 1/4-20 UNC THRU ALL
A4	4.670	6.000	∅ .20 THRU ALL 1/4-20 UNC THRU ALL
B1	3.5225	1.8750	∅ .2500 THRU ALL
B2	3.5225	6.0000	∅ .2500 THRU ALL
C1	12.395	3.845	∅ .20 THRU ALL └─┘ ∅ .38 ▽ .19
C2	12.395	5.155	∅ .20 THRU ALL └─┘ ∅ .38 ▽ .19
C3	13.833	3.843	∅ .20 THRU ALL └─┘ ∅ .38 ▽ .19
C4	13.833	5.155	∅ .20 THRU ALL └─┘ ∅ .38 ▽ .19

CF6-80 Base Plate
 Mat'l: Aluminum
 Qty: 1
 Scale: 1:4



PROPRIETARY AND CONFIDENTIAL
 THE INFORMATION CONTAINED IN THIS
 DRAWING IS THE SOLE PROPERTY OF
 <INSERT COMPANY NAME HERE>. ANY
 REPRODUCTION IN PART OR AS A WHOLE
 WITHOUT THE WRITTEN PERMISSION OF
 <INSERT COMPANY NAME HERE> IS
 PROHIBITED.

UNLESS OTHERWISE SPECIFIED:		NAME	DATE
DIMENSIONS ARE IN INCHES		DRAWN	B. Mowers 12/4/15
TOLERANCES:		CHECKED	
FRACTIONAL ±1/16		ENG APPR.	
ANGULAR: MACH ±0.5 BEND ±		MFG APPR.	
TWO PLACE DECIMAL ±0.01		Q.A.	
THREE PLACE DECIMAL ±0.003		COMMENTS:	
FOUR PLACE DECIMAL ±0.0005			
INTERPRET GEOMETRIC			
TOLERANCING PER:			
MATERIAL			
FINISH			
DO NOT SCALE DRAWING			

TITLE:		
CF6-80_Fixture_		
Assm		
SIZE	DWG. NO.	REV
BCF6-80_Fixture		
SCALE: 1:5	WEIGHT:	SHEET 3 OF 4

4

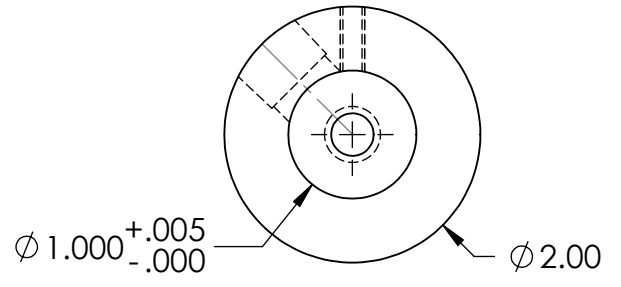
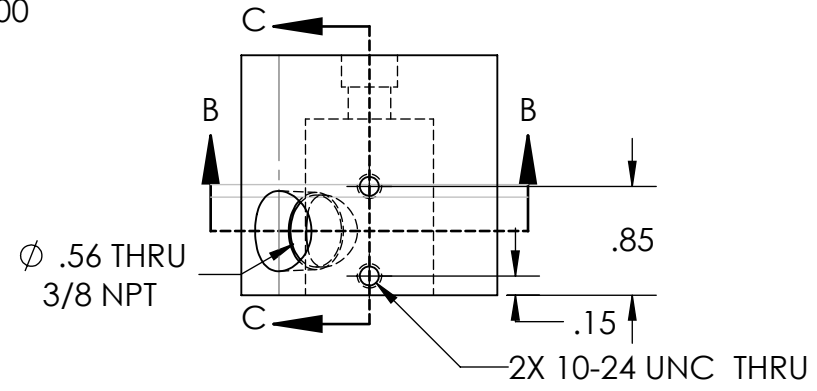
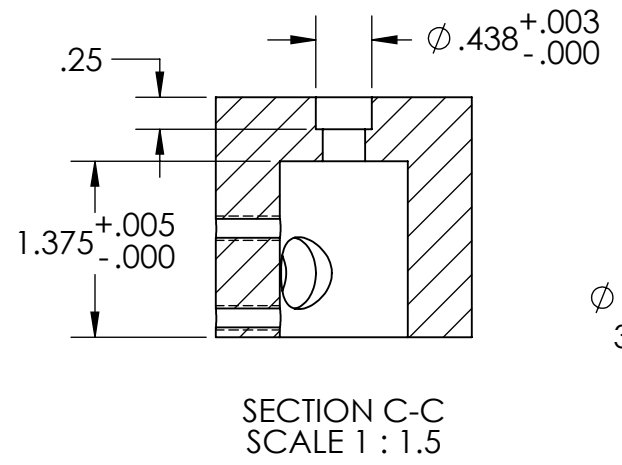
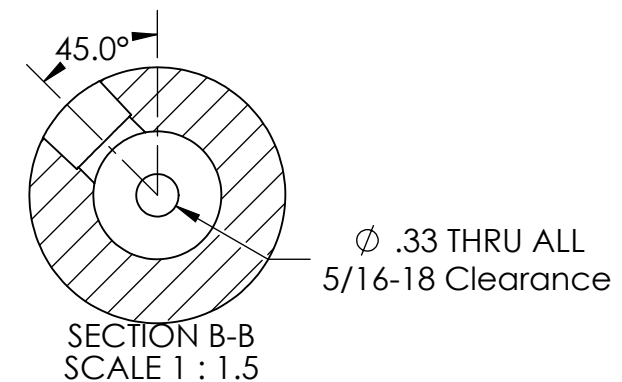
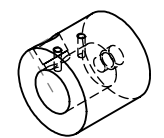
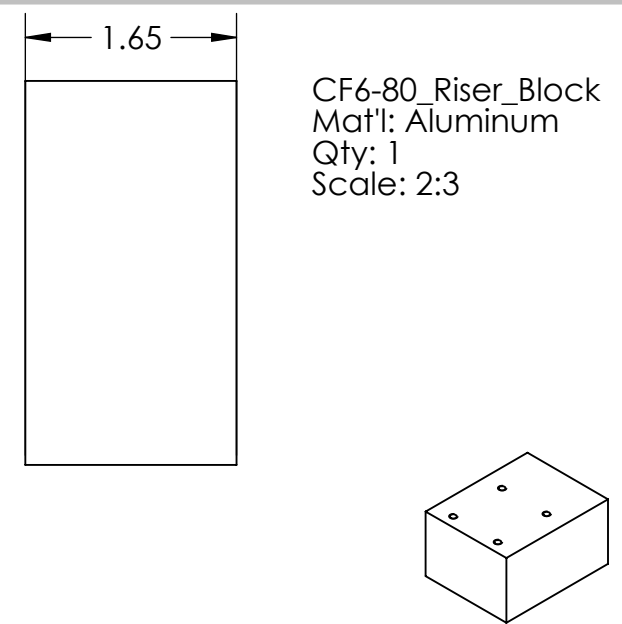
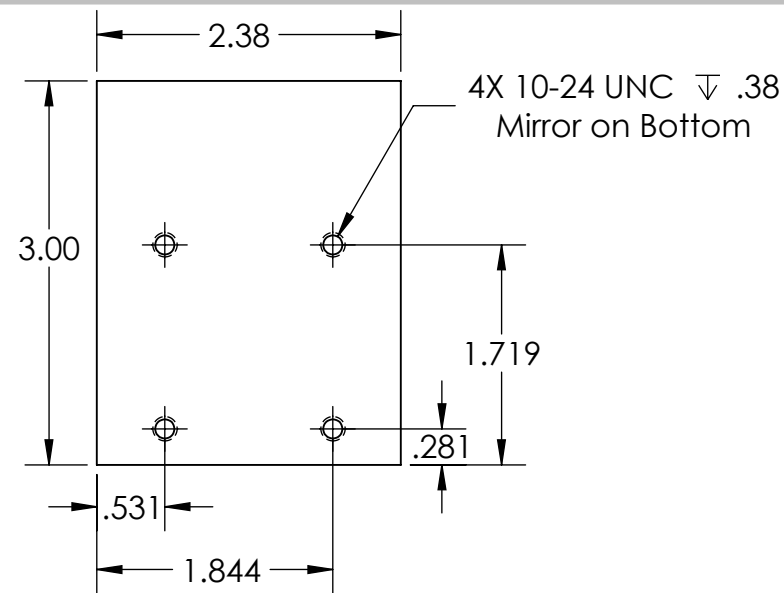
3

2

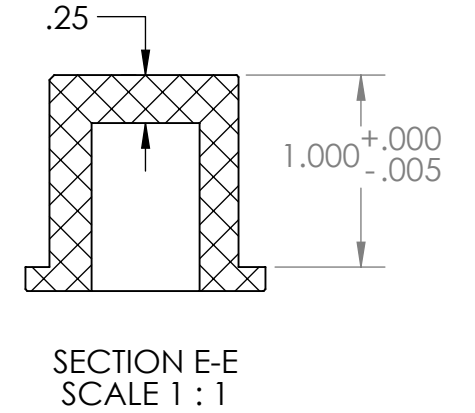
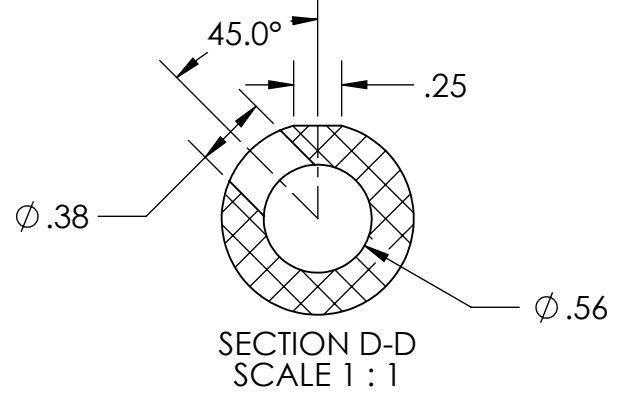
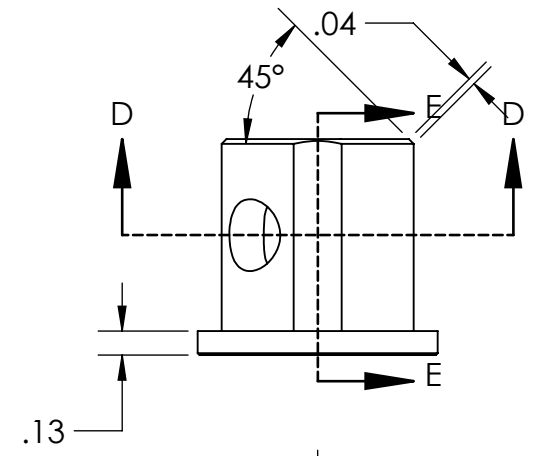
1

B

B



Full_Depth_Aluminum_Cylinder
Mat'l: Aluminum
Qty: 1
Scale: 2:3



Plastic_Insert_w_Step--CF6-80
Mat'l: Delrin
Qty: 1
Scale: 1:1



UNLESS OTHERWISE SPECIFIED:		NAME	DATE
DIMENSIONS ARE IN INCHES	DRAWN	B. Mowers	12/4/15
TOLERANCES:	CHECKED		
FRACTIONAL \pm	ENG APPR.		
ANGULAR: MACH \pm BEND \pm	MFG APPR.		
TWO PLACE DECIMAL \pm	Q.A.		
THREE PLACE DECIMAL \pm	COMMENTS:		
INTERPRET GEOMETRIC TOLERANCING PER:			
MATERIAL			
FINISH			
DO NOT SCALE DRAWING			

PROPRIETARY AND CONFIDENTIAL
THE INFORMATION CONTAINED IN THIS DRAWING IS THE SOLE PROPERTY OF <INSERT COMPANY NAME HERE>. ANY REPRODUCTION IN PART OR AS A WHOLE WITHOUT THE WRITTEN PERMISSION OF <INSERT COMPANY NAME HERE> IS PROHIBITED.

TITLE:		
CF6-80_Fixture_Assm		
SIZE	DWG. NO.	REV
BCF6-80_Fixture		
SCALE: 1:5	WEIGHT:	SHEET 4 OF 4

4

3

2

1

A

A