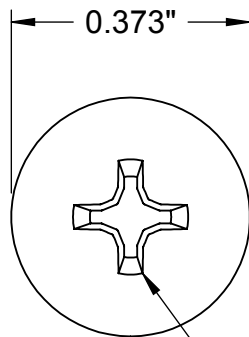
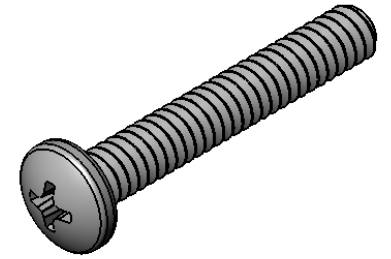
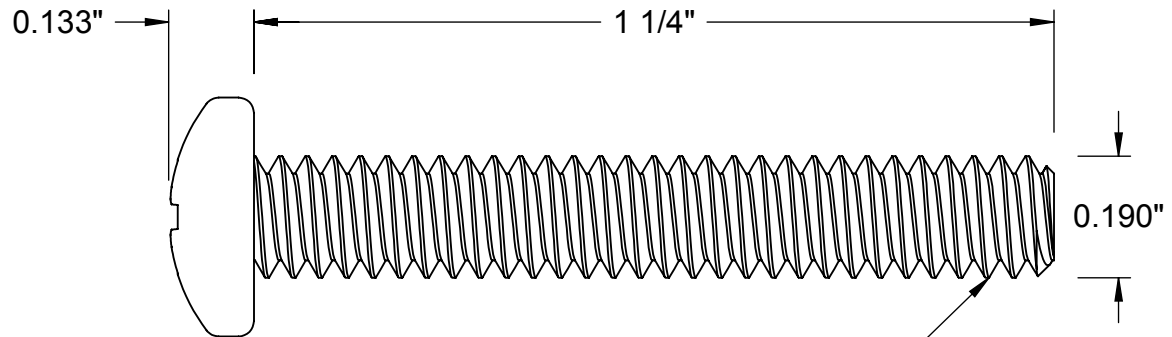


Washer may vary from  
0.024" to 0.038" in thickness.

<b>McMASTER-CARR</b> <small>CAD</small> <a href="http://www.mcmaster.com">http://www.mcmaster.com</a> © 2014 McMaster-Carr Supply Company <small>Information in this drawing is provided for reference only.</small>	PART NUMBER	<b>96765A125</b>
	General Purpose Washer	



#2 Drive



#10-24 Thread

**McMASTER-CARR** CAD

PART NUMBER

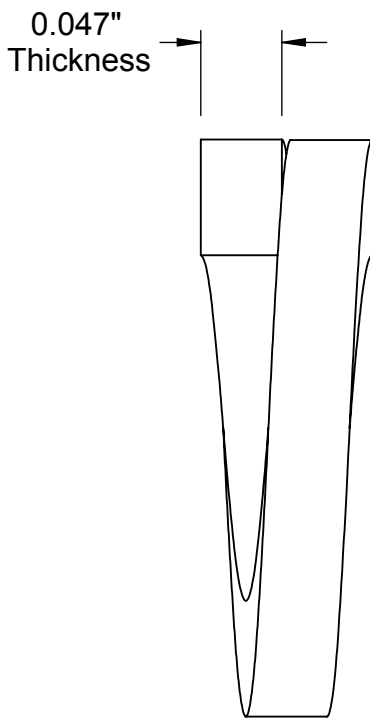
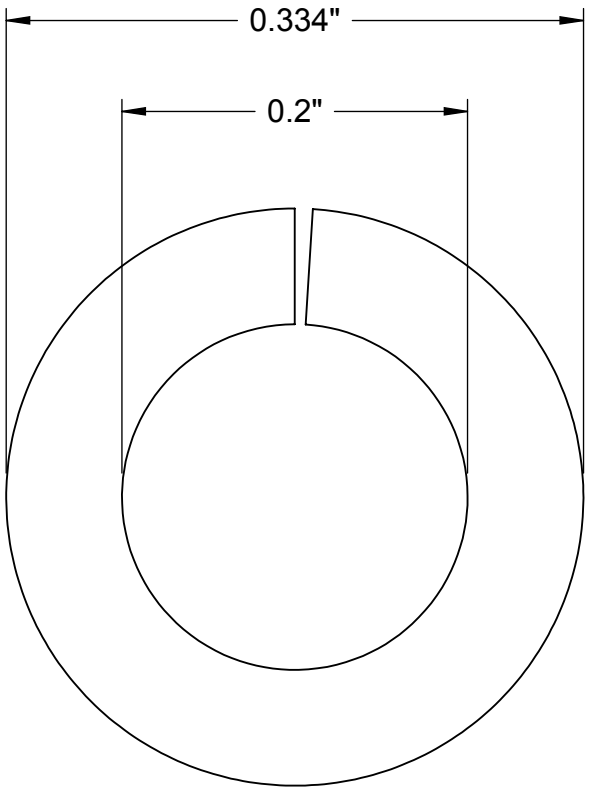
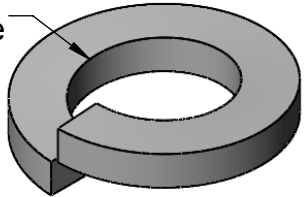
**90272A249**

<http://www.mcmaster.com>  
© 2012 McMaster-Carr Supply Company

Pan Head Phillips  
Machine Screw

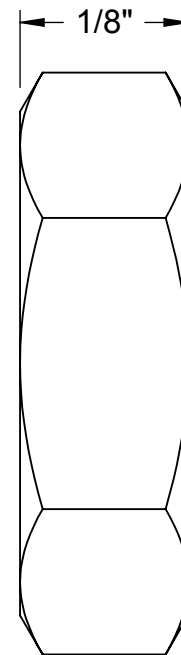
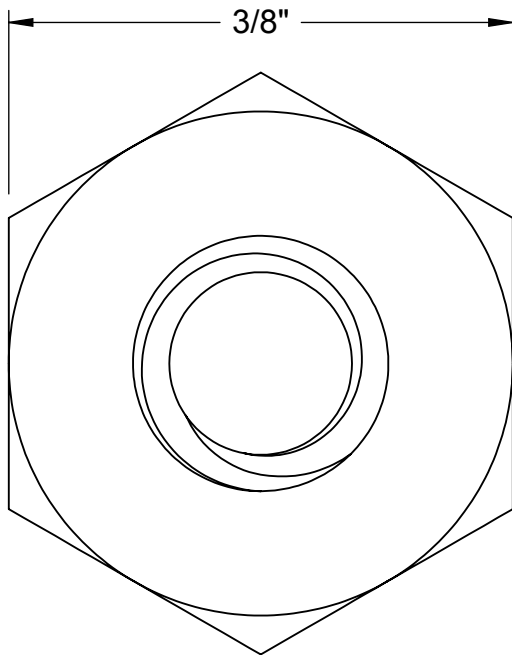
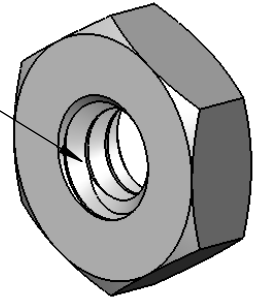
Information in this drawing is provided for reference only.

For #10  
Screw Size



<b>McMASTER-CARR</b> <small>CAD</small>	PART NUMBER	<b>91101A011</b>
<a href="http://www.mcmaster.com">http://www.mcmaster.com</a>		Split Lock Washer
© 2014 McMaster-Carr Supply Company		
Information in this drawing is provided for reference only.		

#10-24 Thread



Military Specification: MS-35649-202

**McMASTER-CARR** CAD

PART  
NUMBER

**91813A150**

<http://www.mcmaster.com>  
© 2015 McMaster-Carr Supply Company

Mil Spec.  
Hex Nut

Information in this drawing is provided for reference only.