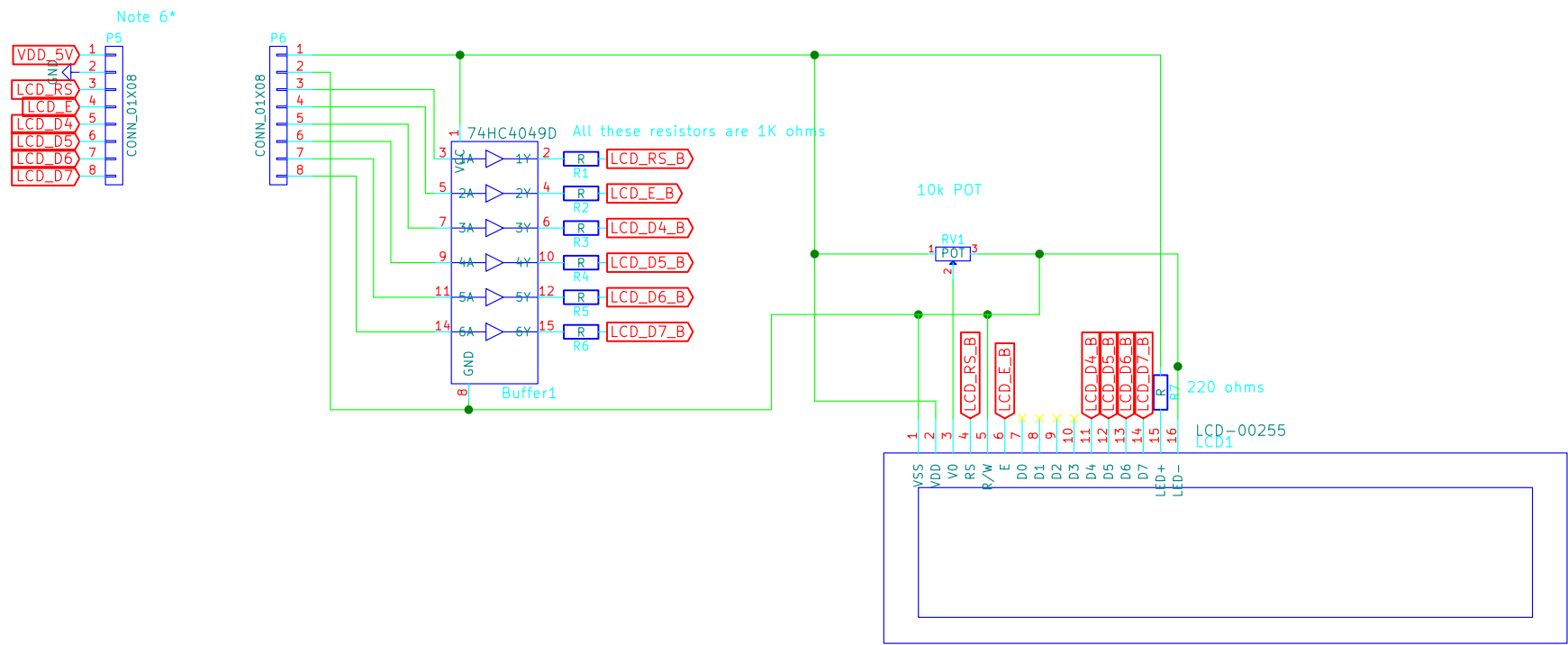


Note 6:
Similar to note 5, LCD is hanging off board



Sheet: /LCD.SCH/		Date:	
File: LCD.sch		Rev:	
Size: A4	KiCad E.D.A. kicad 4.0.4-stable	Id: 2/2	