

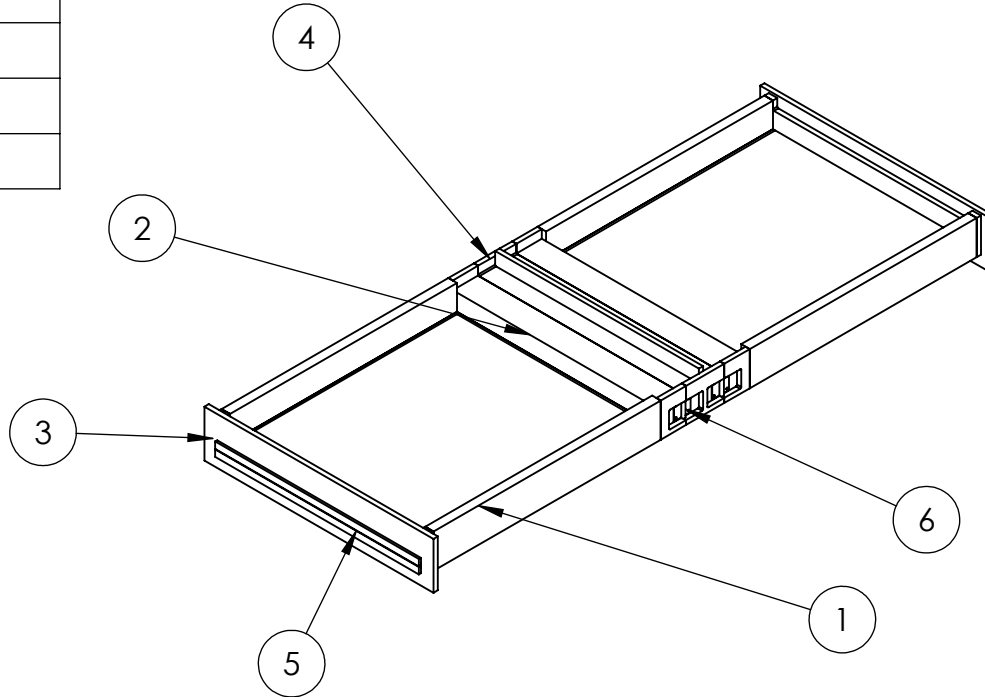
2

1

ITEM NO.	PART NUMBER	QTY.
1	Side Drawer	4
2	Rear Drawer Piece	2
3	Front Drawer	2
4	Middle Drawer Piece	1
5	Filter Assembly	2
6	Quick Release Hinge	4

B

B



A

A

PROPRIETARY AND CONFIDENTIAL
 THE INFORMATION CONTAINED IN THIS DRAWING IS THE SOLE PROPERTY OF <INSERT COMPANY NAME HERE>. ANY REPRODUCTION IN PART OR AS A WHOLE WITHOUT THE WRITTEN PERMISSION OF <INSERT COMPANY NAME HERE> IS PROHIBITED.

		UNLESS OTHERWISE SPECIFIED:		NAME	DATE	TITLE: Drawer Assembly		
		DIMENSIONS ARE IN INCHES	DRAWN					
		TOLERANCES:	CHECKED					
		FRACTIONAL ±	ENG APPR.					
		ANGULAR: MACH ± BEND ±	MFG APPR.					
		TWO PLACE DECIMAL ±	Q.A.			SIZE	DWG. NO.	REV
		THREE PLACE DECIMAL ±	COMMENTS:			A	N/A	
		INTERPRET GEOMETRIC TOLERANCING PER:				SCALE: 1:16	WEIGHT:	SHEET 1 OF 1
		MATERIAL						
		FINISH						
NEXT ASSY	USED ON							
	APPLICATION	DO NOT SCALE DRAWING						

2

1