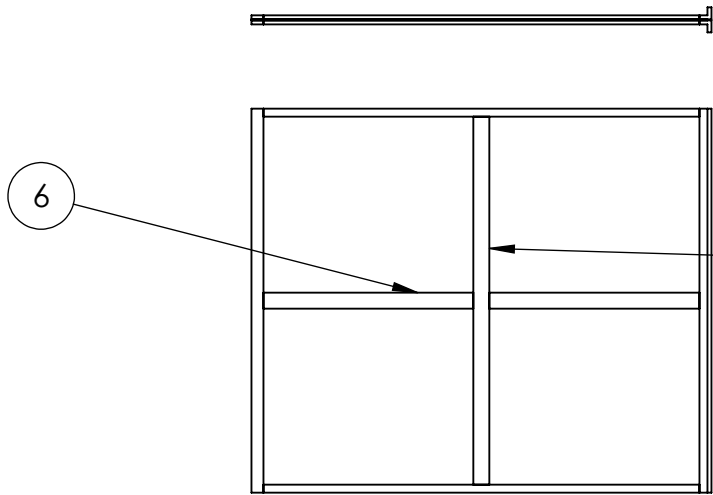
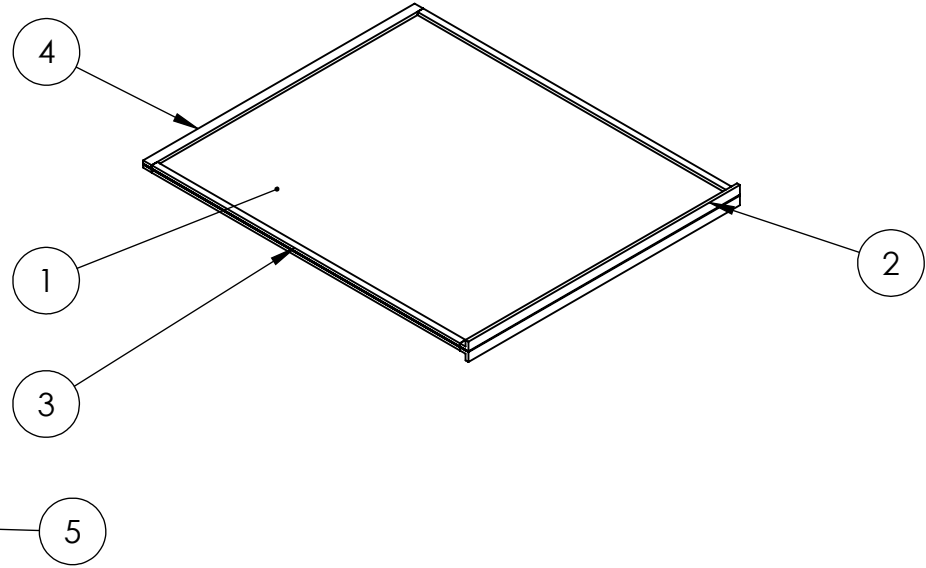


ITEM NO.	PART NUMBER	QTY.
1	Filter	1
2	Filter Frame Front	2
3	Filter Frame Side	4
4	Filter Frame Rear	2
5	Filter Frame Long Support	1
6	Filter Frame Short Support	2



<p>PROPRIETARY AND CONFIDENTIAL</p> <p>THE INFORMATION CONTAINED IN THIS DRAWING IS THE SOLE PROPERTY OF <INSERT COMPANY NAME HERE>. ANY REPRODUCTION IN PART OR AS A WHOLE WITHOUT THE WRITTEN PERMISSION OF <INSERT COMPANY NAME HERE> IS PROHIBITED.</p>			UNLESS OTHERWISE SPECIFIED:		NAME	DATE	<p>TITLE:</p> <h1>Filter Assembly</h1>
			DIMENSIONS ARE IN INCHES	DRAWN			
			TOLERANCES:	CHECKED			
			FRACTIONAL ±	ENG APPR.			
			ANGULAR: MACH ± BEND ±	MFG APPR.			
		TWO PLACE DECIMAL ±	Q.A.				
		THREE PLACE DECIMAL ±	COMMENTS:				
		INTERPRET GEOMETRIC TOLERANCING PER:					
		MATERIAL					
		FINISH					
	NEXT ASSY	USED ON					
	APPLICATION		DO NOT SCALE DRAWING				
				SIZE	DWG. NO.	REV	
				A	N/A		
				SCALE: 1:12	WEIGHT:	SHEET 1 OF 1	