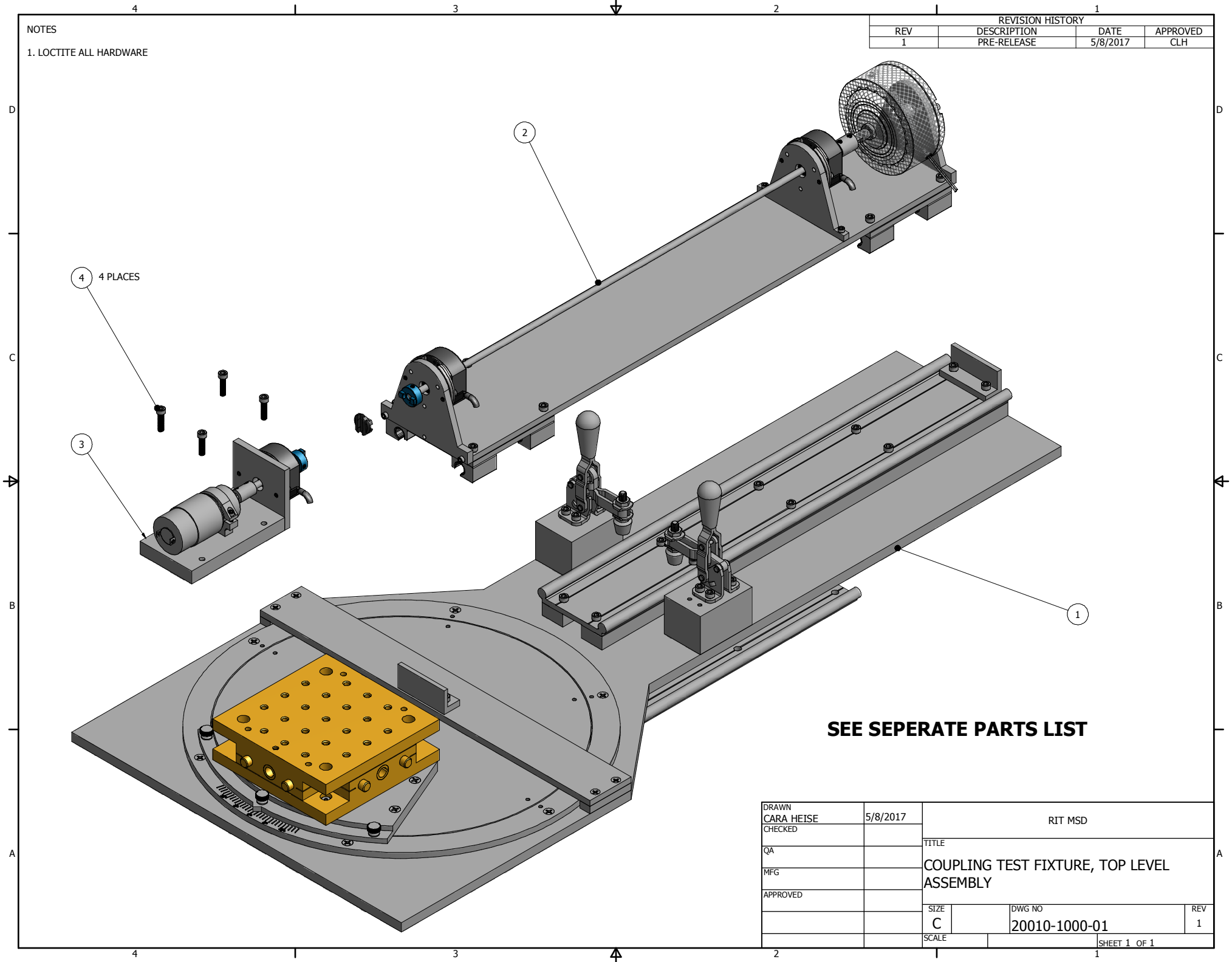


NOTES
 1. LOCTITE ALL HARDWARE

REVISION HISTORY			
REV	DESCRIPTION	DATE	APPROVED
1	PRE-RELEASE	5/8/2017	CLH



SEE SEPERATE PARTS LIST

DRAWN CARA HEISE	5/8/2017	RIT MSD	
CHECKED		TITLE	
QA		COUPLING TEST FIXTURE, TOP LEVEL ASSEMBLY	
MFG			
APPROVED			
		SIZE C	REV 1
		DWG NO 20010-1000-01	
		SCALE	SHEET 1 OF 1