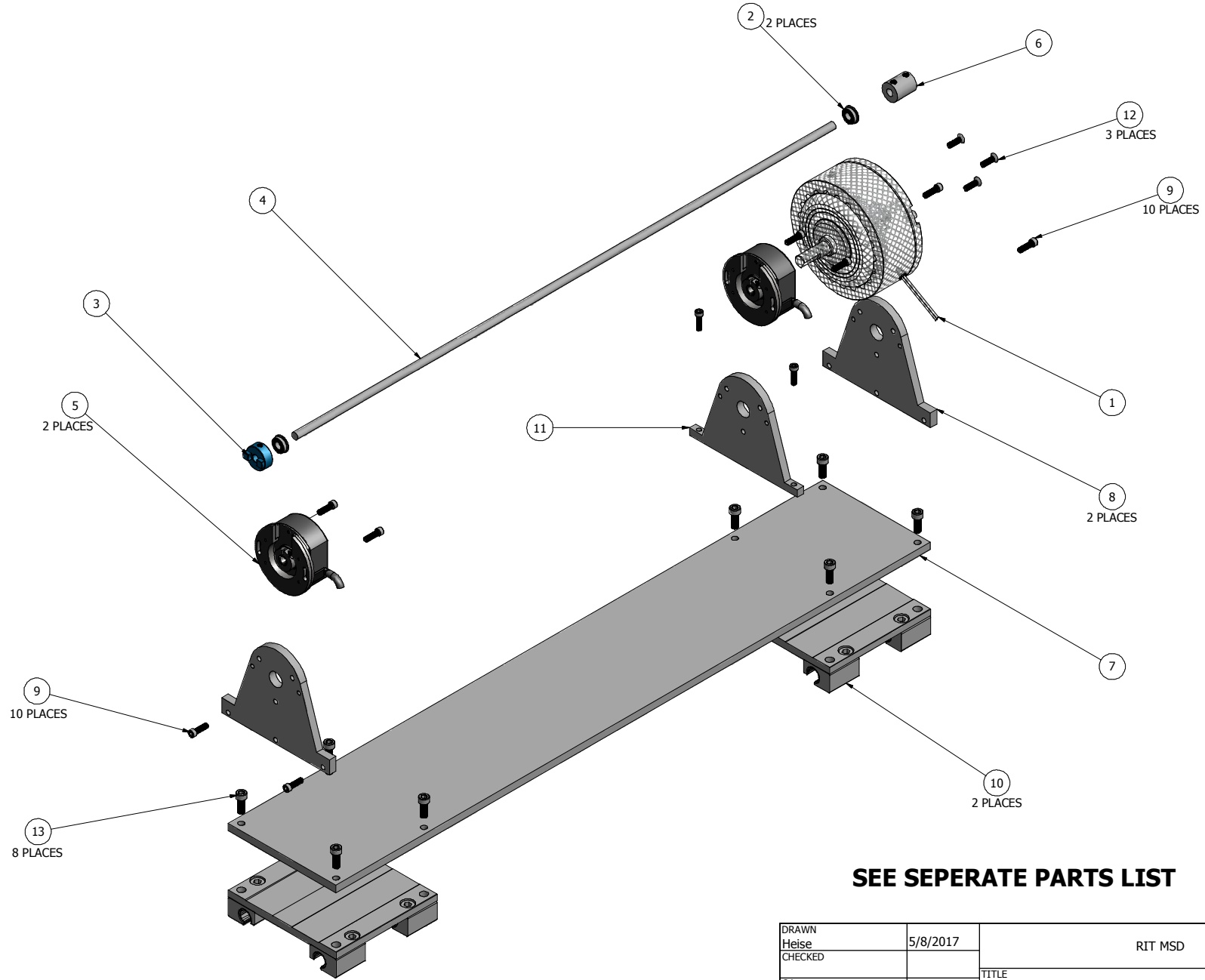


NOTES

1. LOCTITE ALL HARDWARE

REVISION HISTORY			
REV	DESCRIPTION	DATE	APPROVED
1	PRE-RELEASE	5/8/2017	CLH



SEE SEPERATE PARTS LIST

DRAWN	Heise	5/8/2017	RIT MSD	
CHECKED			TITLE	
QA			COUPLING TEST FIXTURE, COUPLING CARRAIGE	
MFG			SIZE	DWG NO
APPROVED			C	20010-1020-01
			SCALE	REV
				1
			SHEET 1 OF 1	