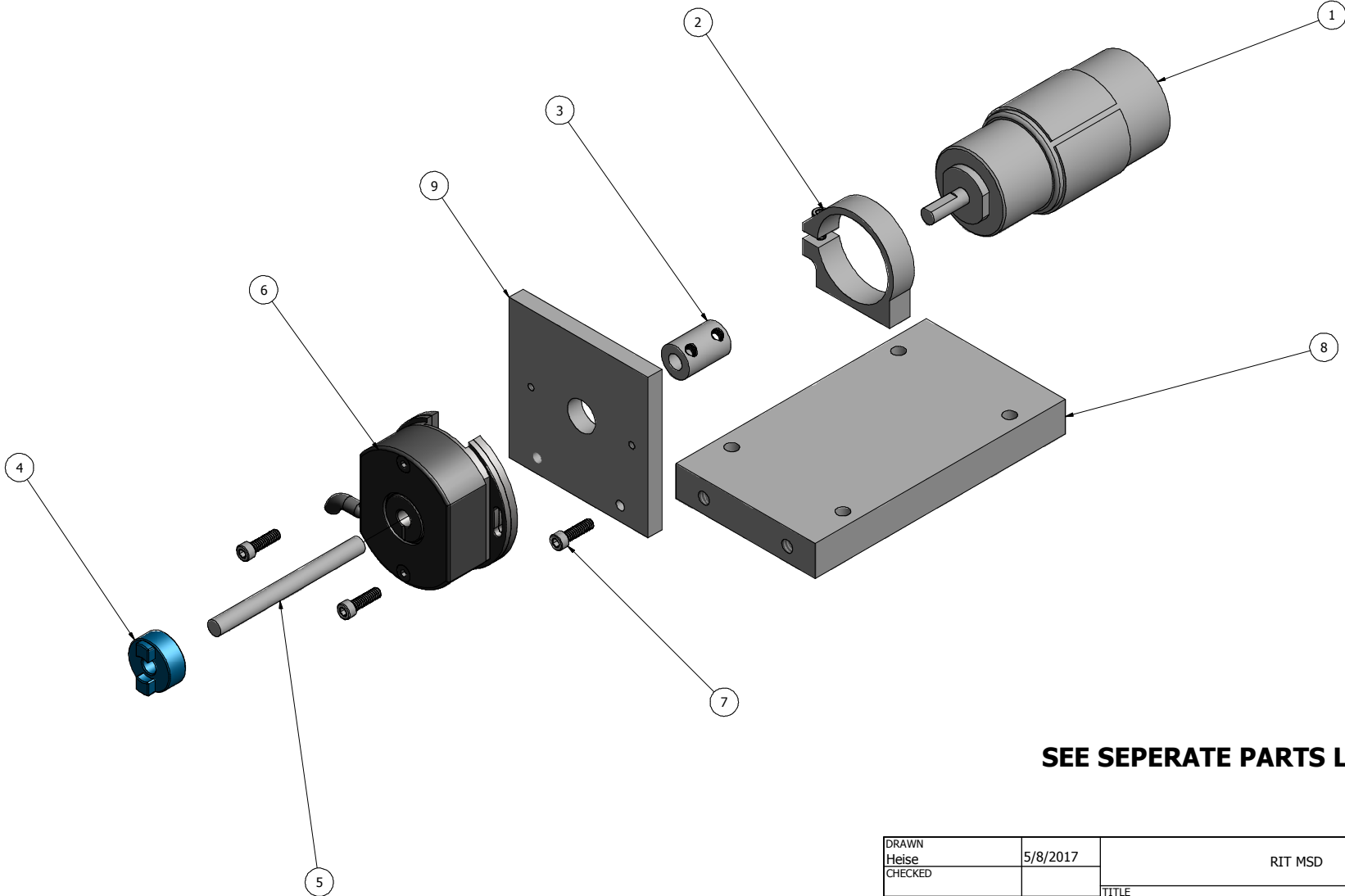


NOTES

1. LOCTITE ALL HARDWARE

REVISION HISTORY

REV	DESCRIPTION	DATE	APPROVED
1	PRE-RELEASE	5/8/2017	CLH



**SEE SEPERATE PARTS LIST**

DRAWN	Heise	5/8/2017	RIT MSD	
CHECKED			TITLE	
QA			COUPLING TEST FIXTURE, MOTOR MOUNT	
MFG			SIZE	DWG NO
APPROVED			C	20010-1030-01
			SCALE	REV
				1
			SHEET 1 OF 1	