

REVISION HISTORY			
REV	DESCRIPTION	DATE	APPROVED
24	Created	12/10/2016	

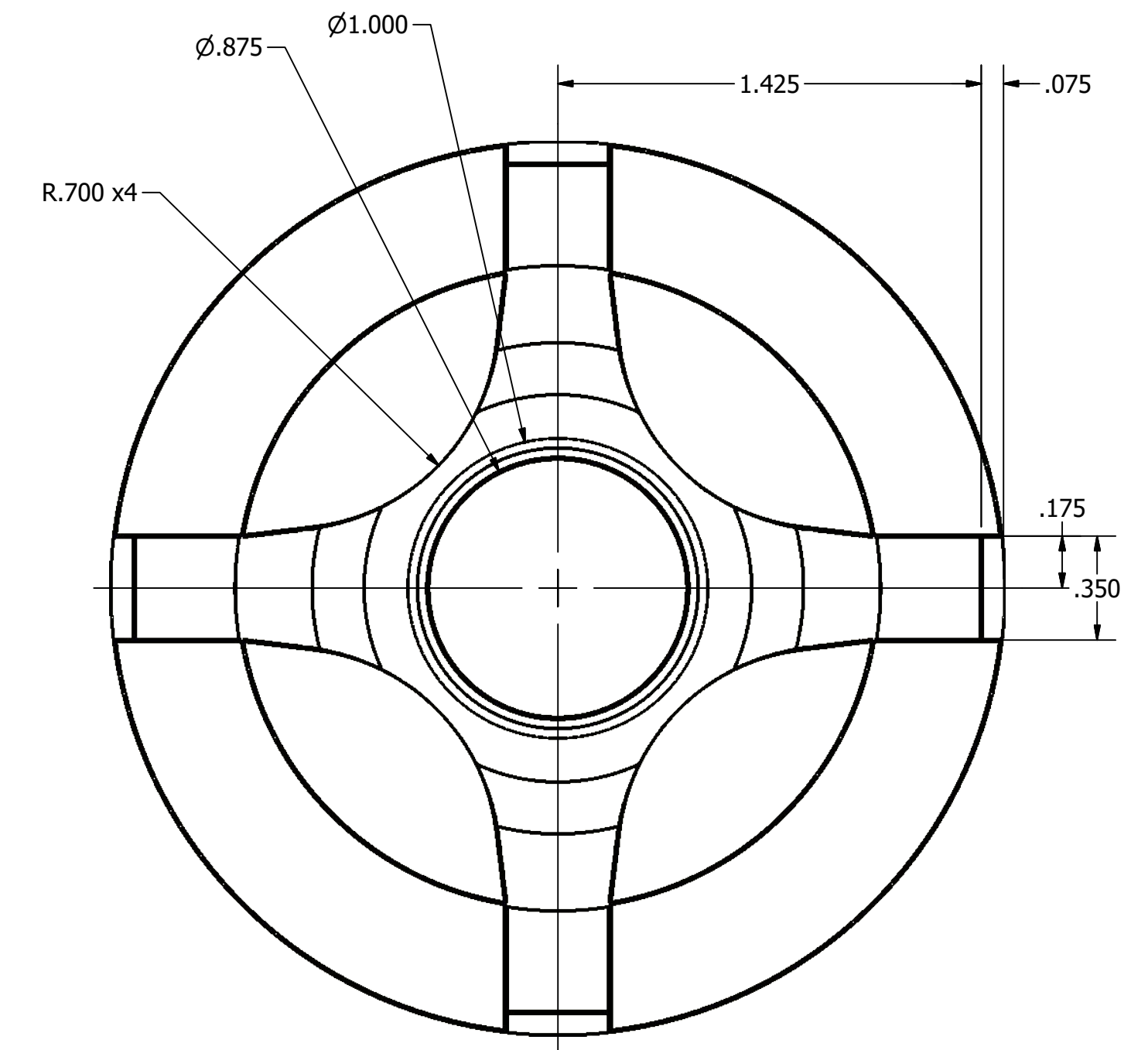
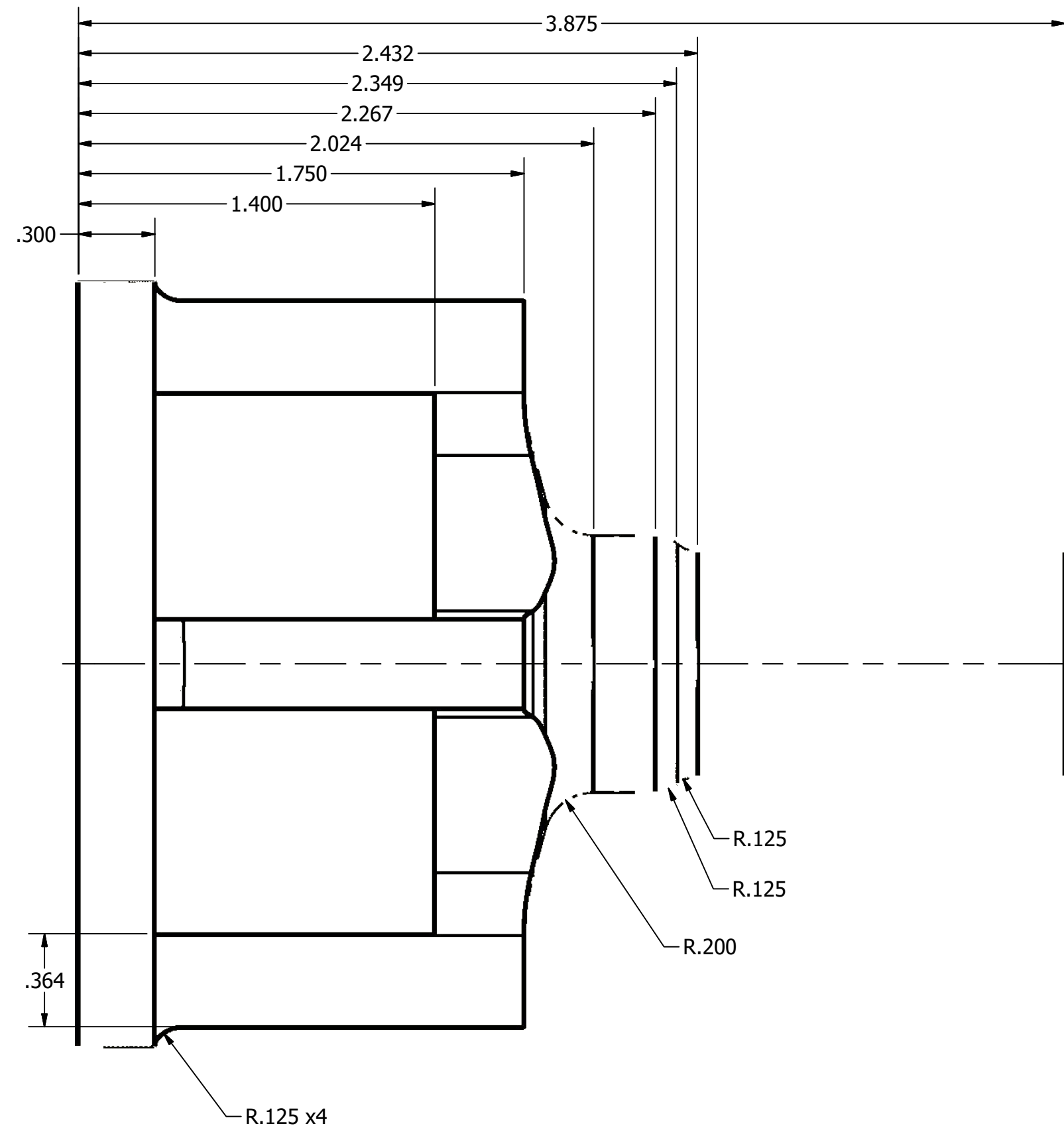
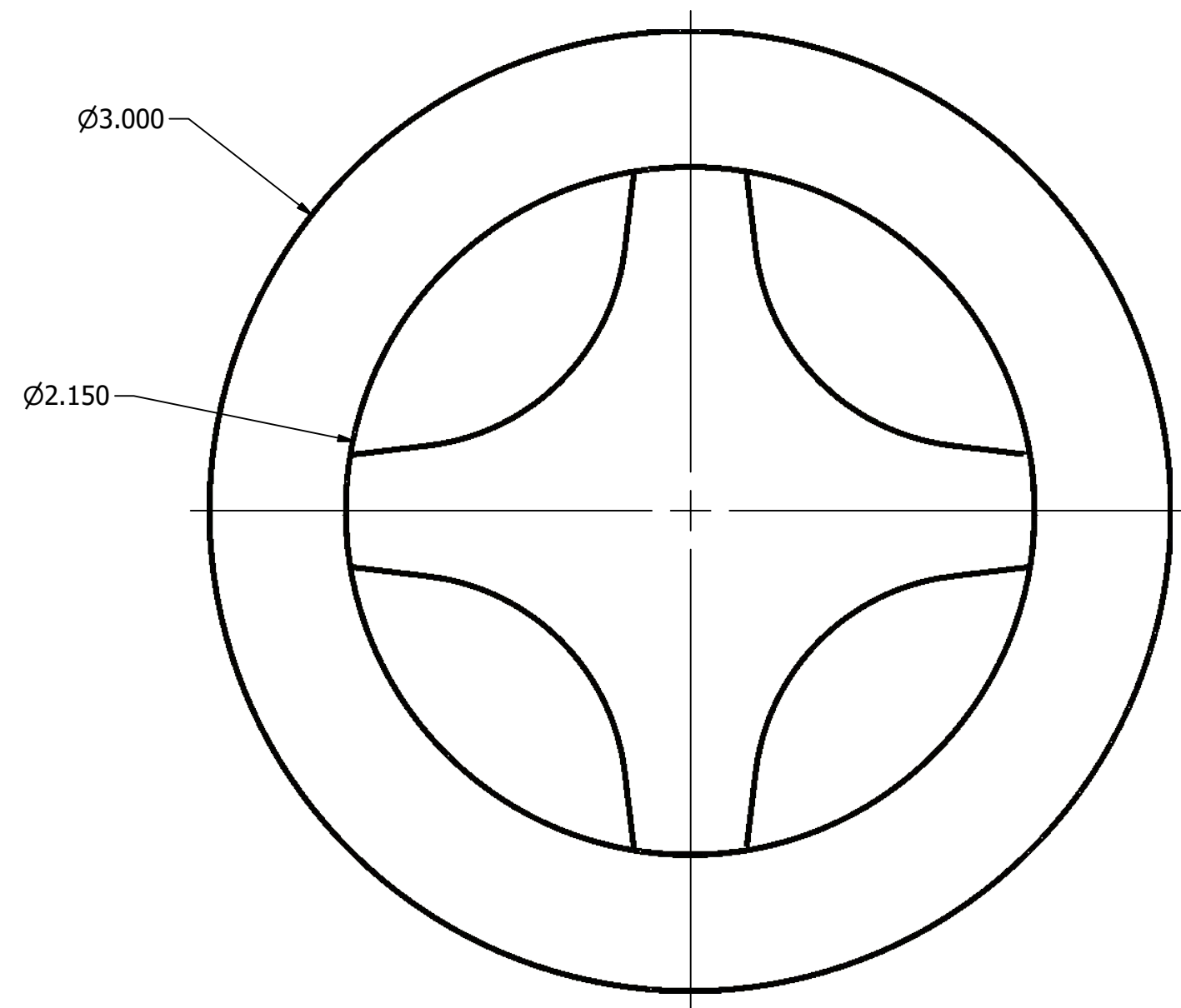


TABLE		DRAWN E. Heacock	12/5/2016	P17665	
Unless otherwise noted	Tolerance	CHECKED		TITLE	
X.X	± 0.1	QA		Measurement Structure	
X.XX	± 0.01	MFG		SIZE	DWG NO
X.XXX	± 0.005	APPROVED		D	M01
X.XXXX	± 0.0010	Material	1215 Steel	SCALE	2
ANG	± 0.1			SHEET 1 OF 1	
					REV 24