

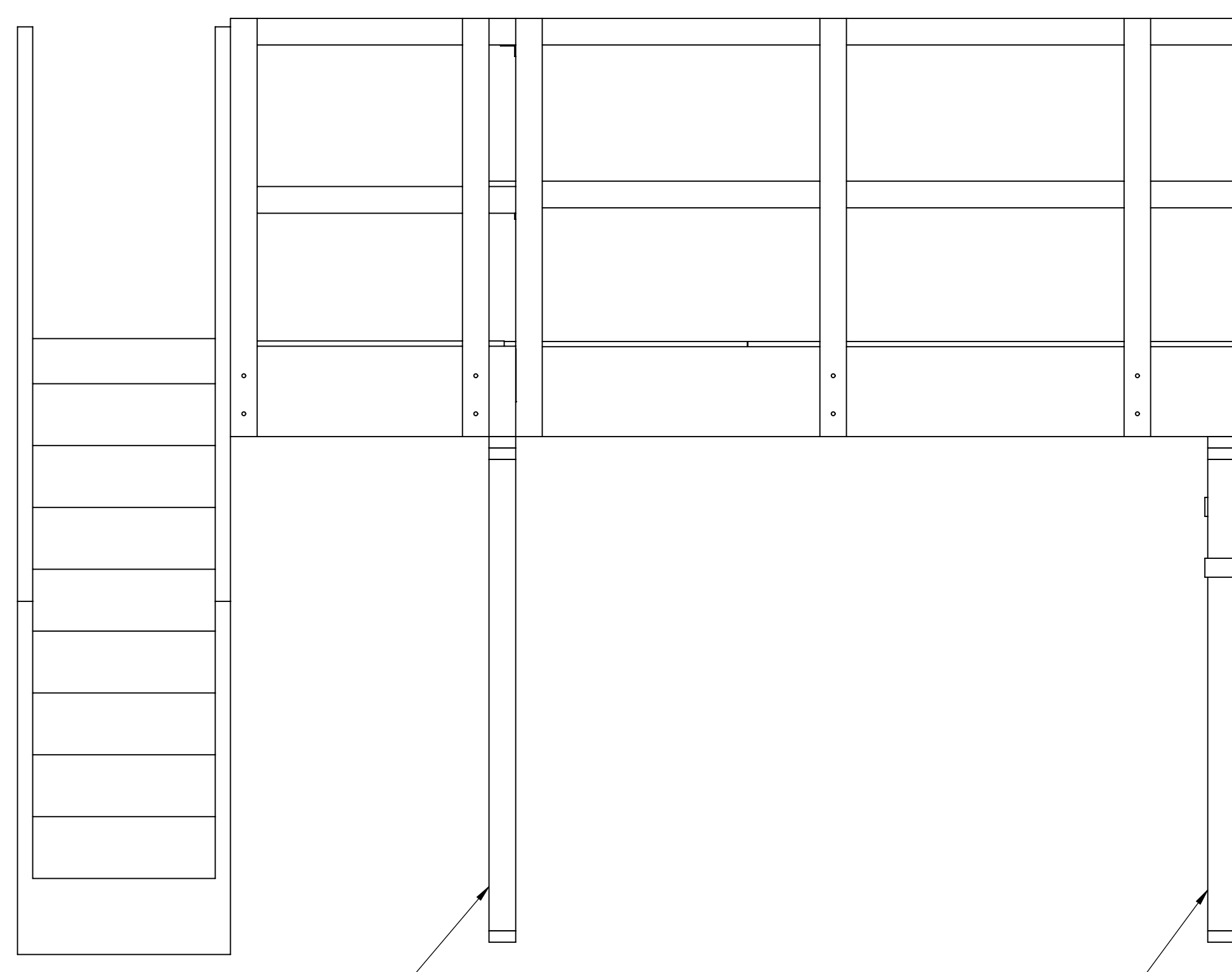
ITEM NO.	DESCRIPTION	QTY.
1	Ledger - (2) 2x12	1
2	Beam B - (2) 1-3/4" x 11 7/8" LVL	1
3	Beam C - (2) 1-3/4" x 11-7/8" LVL	1
4	Beam D - (2) 1-3/4" x 11-7/8" LVL	1
5	Garage Walls	1
6	Main Platform Joist - 2x8 Hem-Fir	22
7	Columns - 4x4 Hem-Fir	7
8	Prefabricated Industrial Stairs	1
9	Gaurd Rail Post - 4x4 Hem-Fir	7
10	Hand Rail - 4x4 Hem-Fir	2
11	Hand Rail - 4x4 Hem-Fir	2
12	Extension Platform Joist - 2x10 Hem-Fir	6
13	2x8 Face Mounted Joist Hanger	44
14	(2) 2x10 Hidden Flange Joist Hanger	2
15	2x10 Face Mounted Joist Hanger	8
16	Extension Top Plate & Bottom Sill Plate - 2x4 Hem-Fir	3
17	Intermediate Top Plate & Bottom Sill Plate - 2x4 Hem-Fir	3
18	Small Top Plate & Bottom Sill Plate - 2x4 Hem-Fir	3
19	A34 Framing Angle	14
20	A23 Framing Angle	14
21	A24 Framing Angle	10
22	Hand Rail - 4x4 Hem-Fir	2
23	Plywood Sheathing - 22/32"x4"x8'	3
24	Plywood Sheathing - 23/32"x4"x5'4"	5
25	Nail Groupings Between Hangers	34

UNLESS OTHERWISE SPECIFIED:
 DIMENSIONS ARE IN INCHES
 FINISHES ARE IN INCHES
 TOLERANCES:
 FINISHES ARE IN INCHES
 ANGULAR FINISHES
 FINISHES ARE IN INCHES
 FINISHES ARE IN INCHES
 FINISHES ARE IN INCHES

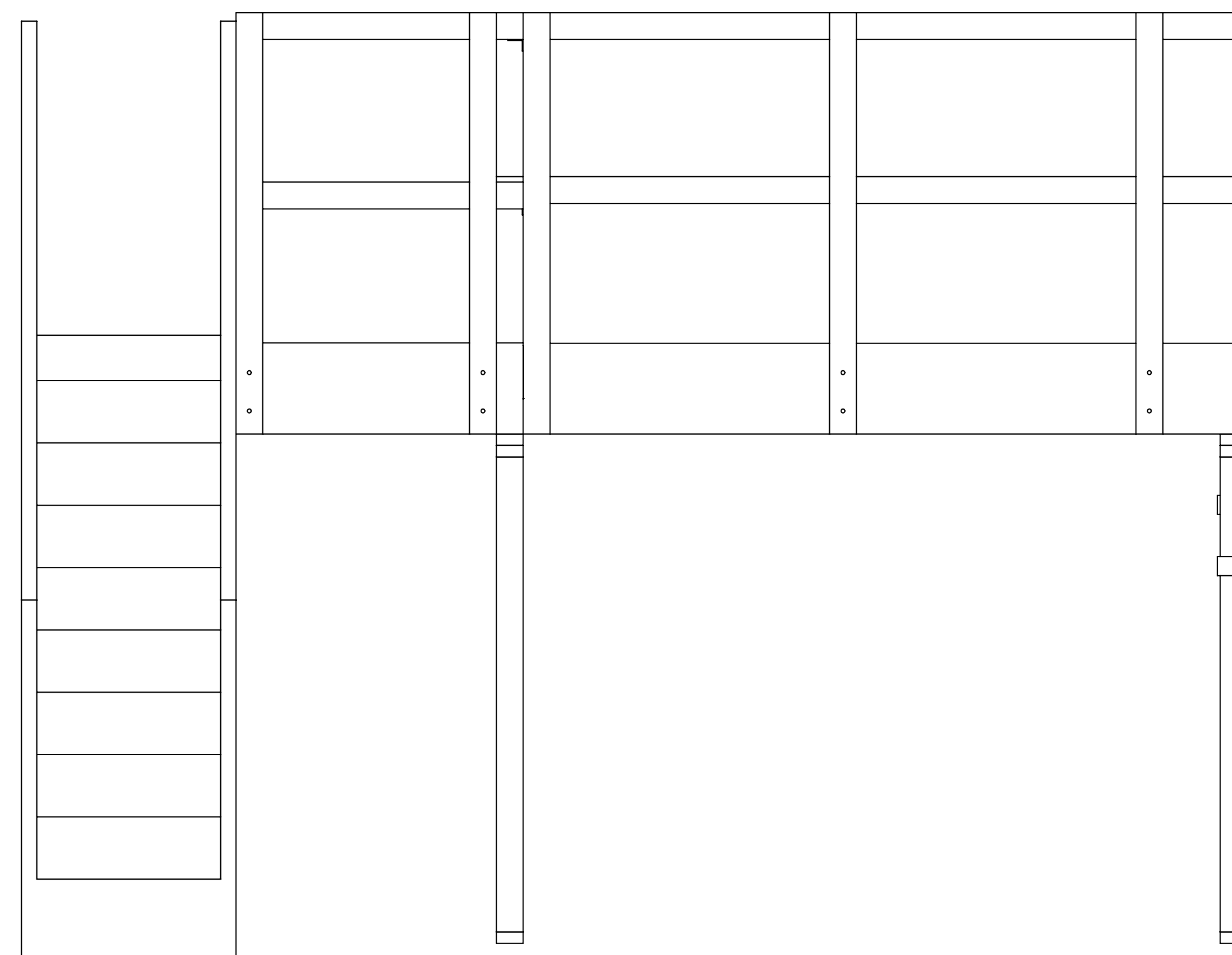
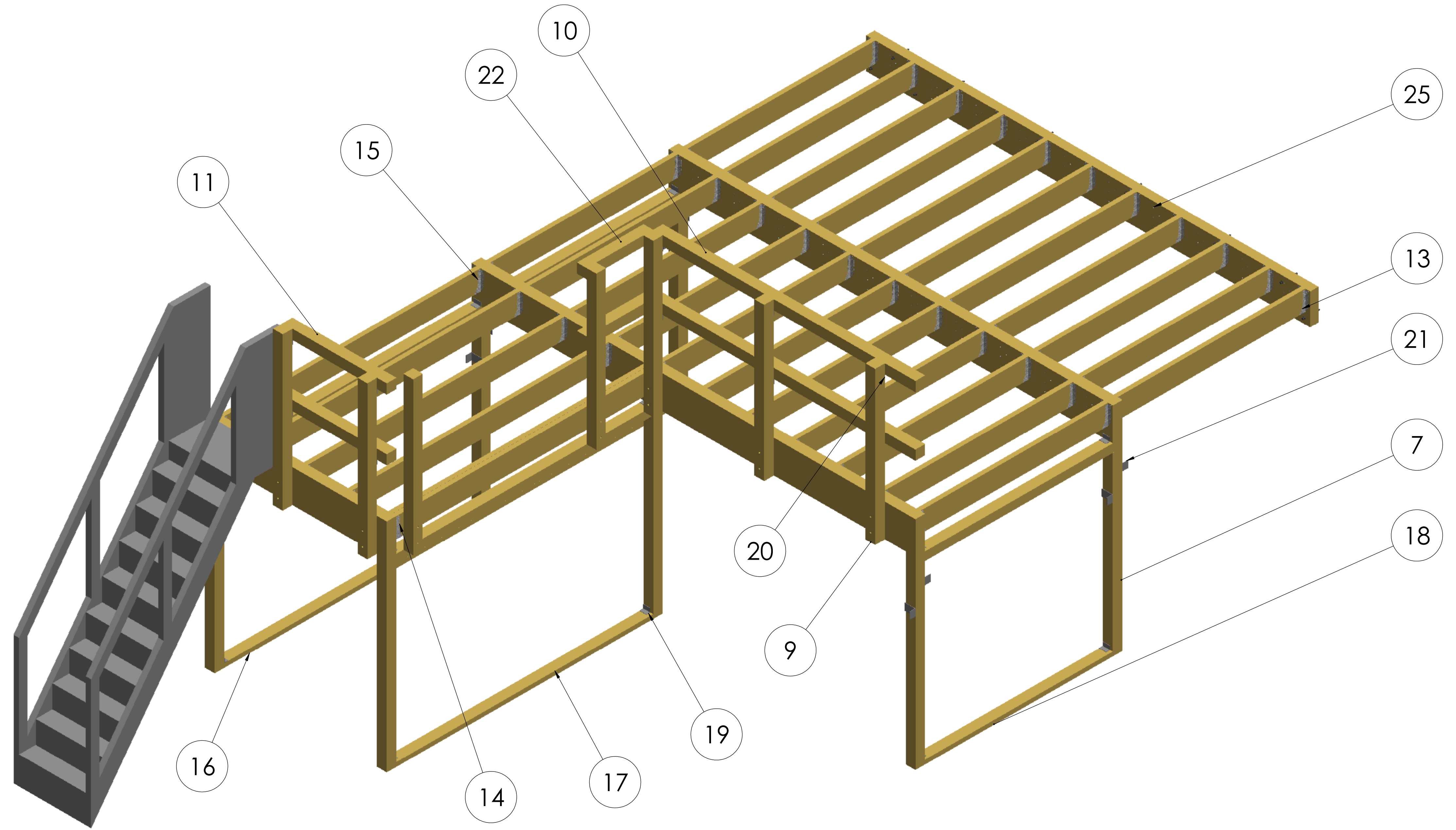
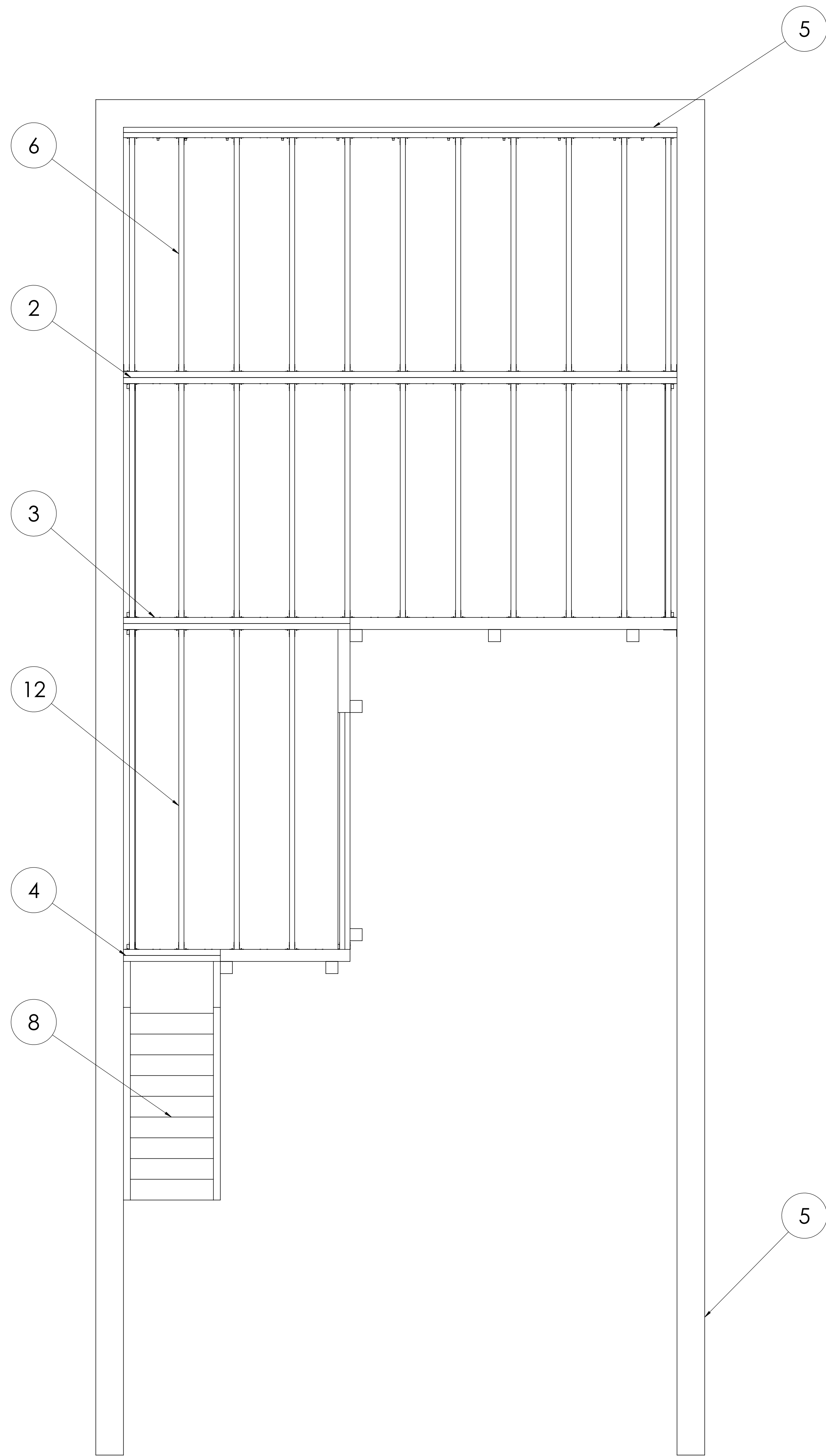
DATE: _____
 NAME: _____
 TITLE: _____

PROJECT: _____
 DRAWN BY: _____
 CHECKED BY: _____
 DATE: _____

SCALE: 1:16 WEIGHT: _____
 SHEET 1 OF 9



Inside Columns Outside Columns



ITEM NO.	DESCRIPTION	QTY.
1	Ledger - (2) 2x12	1
2	Beam B - (2) 1-3/4" x 11 7/8" LVL	1
3	Beam C - (2) 1 -3/4" x 11-7/8" LVL	1
4	Beam D - (2) 1 -3/4" x 11-7/8" LVL	1
5	Garage Walls	1
6	Main Platform Joist - 2x8 Hem-Fir	22
7	Columns - 4x4 Hem-Fir	7
8	Prefabricated Industrial Stairs	1
9	Gaurd Rail Post - 4x4 Hem-Fir	7
10	Hand Rail - 4x4 Hem-Fir	2
11	Hand Rail - 4x4 Hem-Fir	2
12	Extension Platfrom Joist - 2x10 Hem-Fir	6
13	2x8 Face Mounted Joist Hanger	44
14	(2) 2x10 Hidden Flange Joist Hanger	2
15	2x10 Face Mounted Joist Hanger	8
16	Extension Top Plate & Bottom Sill Plate - 2x4 Hem-Fir	3
17	Intermediate Top Plate & Bottom Sill Plate - 2x4 Hem-Fir	3
18	Small Top Plate & Bottom Sill Plate - 2x4 Hem-Fir	3
19	A34 Framing Angle	24
20	A23 Framing Angle	14
21	A24 Framing Angle	10
22	Hand Rail - 4x4 Hem-Fir	2
23	Plywood Sheathing - 22/32"x4'x8'	3
24	Plywood Sheathing - 23/32"x4'x5'4"	5
25	Nail Groupings Between Hangers	34

UNLESS OTHERWISE SPECIFIED:

FRAMING:	DRY	NAME	DATE
EMBRONCHES ARE IN INCHES	CHECKED		
TOLERANCES:	ENG APPR		
FRACTIONALS	BEND		
ANGULARS	ENG APPR		
PROFILES	ENG APPR		
THREE PLACE DECIMAL	ENG APPR		
INTERFERE GEOMETRIC	COMMENTS:		
TOLERANCES PER			
MAXIMUM			

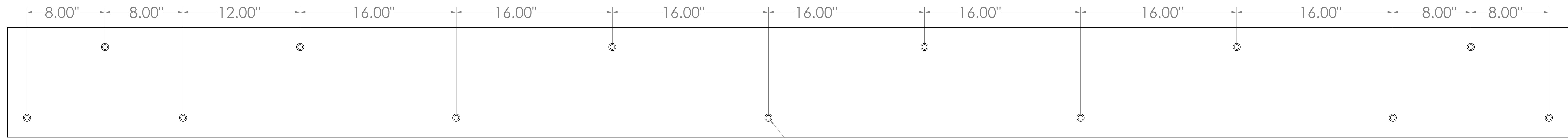
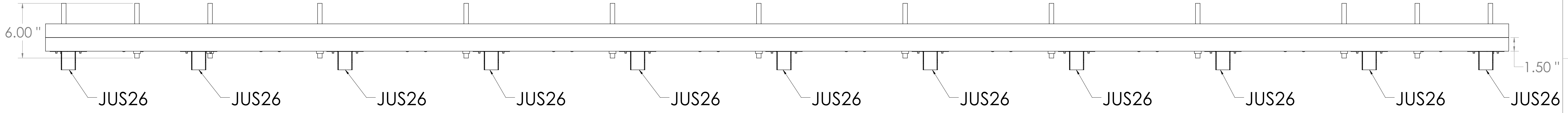
PROPERTY AND CONFIDENTIAL: THE INFORMATION CONTAINED IN THIS DRAWING IS THE SOLE PROPERTY OF MEZZANINE. NO PART OF THIS DRAWING IS TO BE REPRODUCED IN ANY MANNER WITHOUT THE WRITTEN PERMISSION OF MEZZANINE. MEZZANINE SHALL NOT BE RESPONSIBLE FOR ANY ERRORS OR OMISSIONS.

PROJECT: MEZZANINE
 DRAWN BY: [Name]
 CHECKED BY: [Name]
 DATE: [Date]

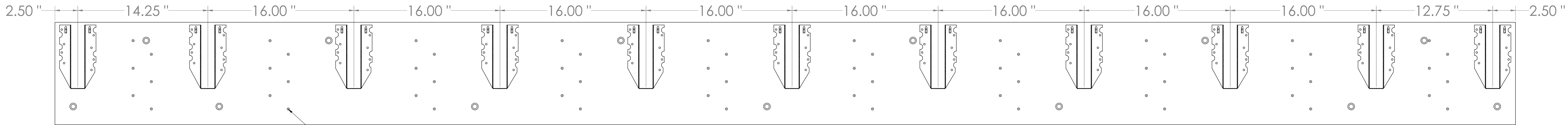
SCALE: 1:16 WEIGHT: [Weight]
 SHEET 2 OF 9

Double Ply ledger:

2-3 Nails per vertical row
 Rows spaced 12"
 2" Minimum from top and bottom edge



Ø .50"



Nail Between Joist Hangers:
 2" Minimum from top and bottom edge
 2" Staggered Rows
 1 1/2" Vertical Spacing Typical

ITEM NO.	DESCRIPTION	QTY.
1	Ledger - 2x12 Hem-Fir	2
2	1/2"-6" Hex Nut LOK Bolt Sleeve Anchor	13

UNLESS OTHERWISE SPECIFIED:	NAME	DATE
DIMENSIONS ARE IN INCHES	DRAWN	
TOLERANCES:	CHECKED	
FRACTIONS & ANGLES - 1/16"	ENG APPR	
FRACTIONS DECIMAL - 1/32"	AVG APPR	
THREE PLACE DECIMAL - 1/16"		
INTERFERE GEOMETRIC TOLERANCES PER ASME Y14.5	COMMENTS:	
PROPRIETARY AND CONFIDENTIAL		
THE INFORMATION CONTAINED IN THIS DRAWING IS THE SOLE PROPERTY OF		
MEZZARINE AND COMPANY, INC.		
NO REPRODUCTION OR TRANSMISSION OF THIS DRAWING IS PERMITTED WITHOUT THE WRITTEN PERMISSION OF MEZZARINE AND COMPANY, INC.		
NEET ASSY	USED ON	FINISH
APPLICATION	DO NOT SCALE DRAWING	

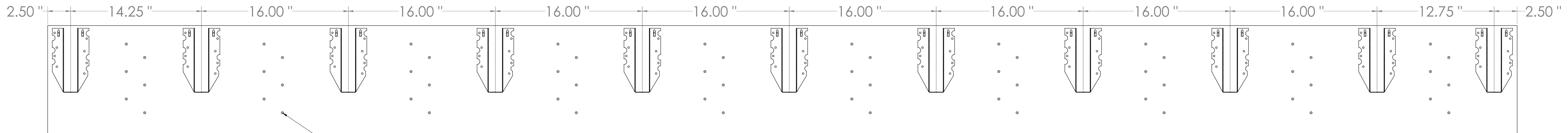
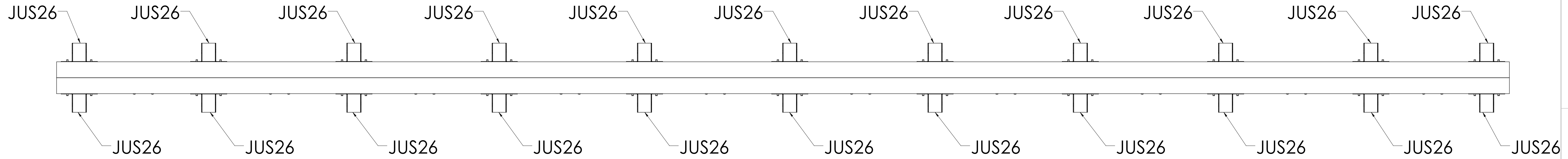
Ledger - (2) 2x12

SIZE DWG. NO. REV
E Mezzanine_Drawing_Package 1

SCALE: 1:4 WEIGHT: SHEET 3 OF 9

Double Ply Beam (Two LVLs):
 2-3 Nails per vertical row
 Rows spaced 12"
 2" Minimum from top and bottom edge

Joist Hangers JUS26:
 Eight 10d x 3" Common Nails



Nail Between Joist Hangers:
 2" Minimum from top and bottom edge
 2" Staggered Rows
 1 1/2" Vertical Spacing Typical

UNLESS OTHERWISE SPECIFIED:		NAME	DATE
DIMENSIONS ARE IN INCHES	DRAWN		
TOLERANCES:	CHECKED		
FRACTIONS 1/8	ANGULAR MATCHES	ENG APPR	
THREE PLACE DECIMAL	INTERFERE GEOMETRIC	DATE	
	TOLERANCES PER	COMMENTS:	
	MATERIAL		
NEET ASSY	USED ON	FINISH	
APPLICATION	DO NOT SCALE DRAWING		

<small> PROPRIETARY AND CONFIDENTIAL THE INFORMATION CONTAINED IN THIS DRAWING IS THE SOLE PROPERTY OF HOKER. LOAN OR REUSE HEREOF, OR REPRODUCTION IN PART OR AS A WHOLE WITHOUT THE WRITTEN PERMISSION OF HOKER COMPANY, IS PROHIBITED. </small>		<small> TITLE: Beam B </small>
<small> SIZE DWG. NO. E Mezzanine_Drawing_Package </small>	<small> REV SCALE: 1/4" WEIGHT: SHEET 4 OF 9 </small>	

Double Ply Beam (Two LVLs):

2-3 Nails per vertical row
 Rows spaced 12"
 2" Minimum from top and bottom edge

Joist Hangers JUS26:

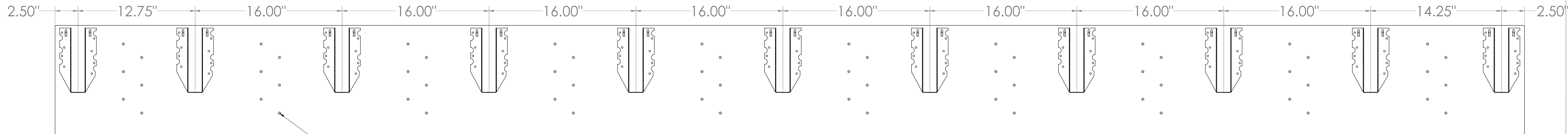
Eight 10d x 3" Common Nails

Joist Hangers JUS210:

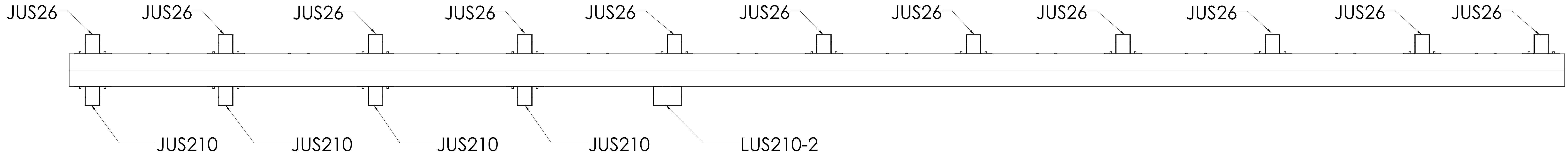
Twelve 10d x 3" Common Nails

Joist Hangers LUS210-2:

Fourteen 16d x 3" Common Nails



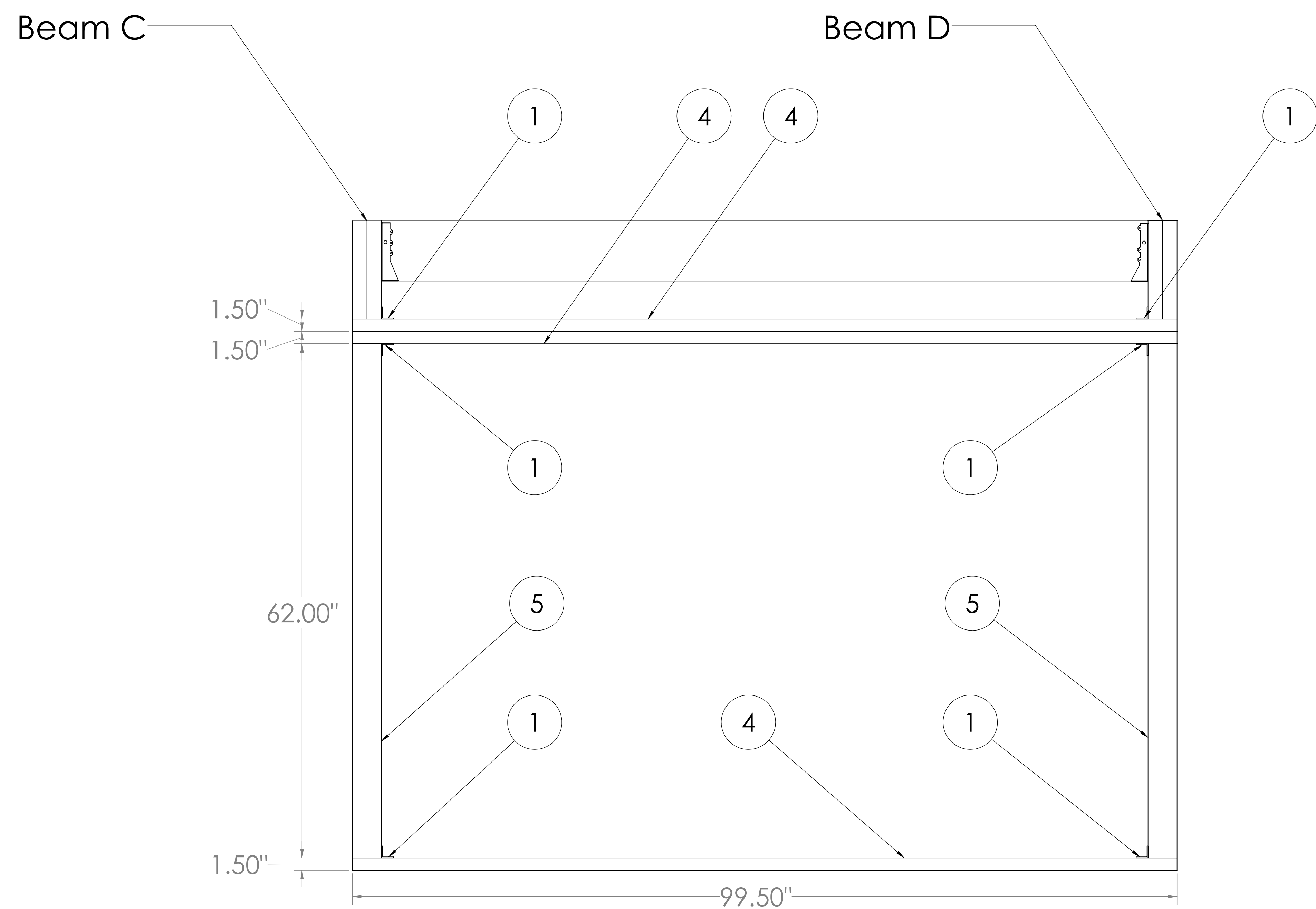
Nail Between Joist Hangers:
 2" Minimum from top and bottom edge
 2" Staggered Rows
 1 1/2" Vertical Spacing Typical



<small>PROPRIETARY AND CONFIDENTIAL THE INFORMATION CONTAINED IN THIS DRAWING IS THE SOLE PROPERTY OF HENDERSON. NO PART OF THIS DRAWING MAY BE REPRODUCED OR TRANSMITTED IN ANY FORM OR BY ANY MEANS, ELECTRONIC OR MECHANICAL, WITHOUT PERMISSION IN WRITING FROM HENDERSON.</small>		<small>UNLESS OTHERWISE SPECIFIED: DIMENSIONS ARE IN INCHES TOLERANCES: FINISH DIMS ± .015 ANGLES ± .0417° FINISH ± .0001 THREE PLACE DECIMAL ± .0005 INTERFERE GEOMETRIC TOLERANCES PER ASME Y14.5</small>	<small>NAME DATE</small>
<small>DRAWN BY CHECKED ENG APPR MFG APPR</small>	<small>COMMENTS</small>	<small>TITLE: Beam C</small>	<small>SIZE DWG. NO. E Mezzanine_Drawing_Package SCALE: 1/4" WEIGHT: SHEET 5 OF 9</small>
<small>NEED ASSEY APPLICATION</small>	<small>USED ON FINISH DO NOT SCALE DRAWING</small>	<small>REVISIONS</small>	<small>REV</small>

General Notes

No.	Description	QTY
1	A34 Framing Angles - 8d x 1 1/2" Common Nails	6
2	16d x 3 1/2" Common Nails should be driven through the top and bottom plates into each column (Four per column-to-plate connection)	16
3	Top Plates connected with 10d x 3" Box Nails	N/A
4	2x4 Hem-Fir	3
5	4x4 Pressure Treated	2



PROPRIETARY AND CONFIDENTIAL
 THE INFORMATION CONTAINED IN THIS
 DRAWING IS THE SOLE PROPERTY OF
 HOK. NO PART OF THIS DRAWING
 SHOULD BE REPRODUCED OR
 TRANSMITTED IN ANY FORM OR
 BY ANY MEANS, ELECTRONIC OR
 MECHANICAL, INCLUDING PHOTOCOPYING,
 RECORDING, OR BY ANY INFORMATION
 STORAGE AND RETRIEVAL SYSTEM,
 WITHOUT THE WRITTEN PERMISSION OF
 HOK COMPANY. HOK HAS BEEN ADVISED
 THAT THIS DRAWING MAY BE USED FOR
 OTHER PROJECTS WITHOUT THE WRITTEN
 PERMISSION OF HOK COMPANY.

UNLESS OTHERWISE SPECIFIED:		NAME	DATE
DIMENSIONS ARE IN INCHES	DRAWN		
TOLERANCES:	CHECKED		
FRACTIONS & ANGLES	ENG APPR		
DECIMALS	ENG APPR		
THREE PLACE DECIMAL	ENG APPR		
INTERFERE GEOMETRIC TOLERANCES PER ASME Y14.5	COMMENTS:		
APPROVAL	USED ON	FINISH	
DO NOT SCALE DRAWING			

TITLE: Intermediate Columns
 SIZE: DWG. NO. REV
 E Mezzanine_Drawing_Package
 SCALE: 1/8 WEIGHT: SHEET 8 OF 9

