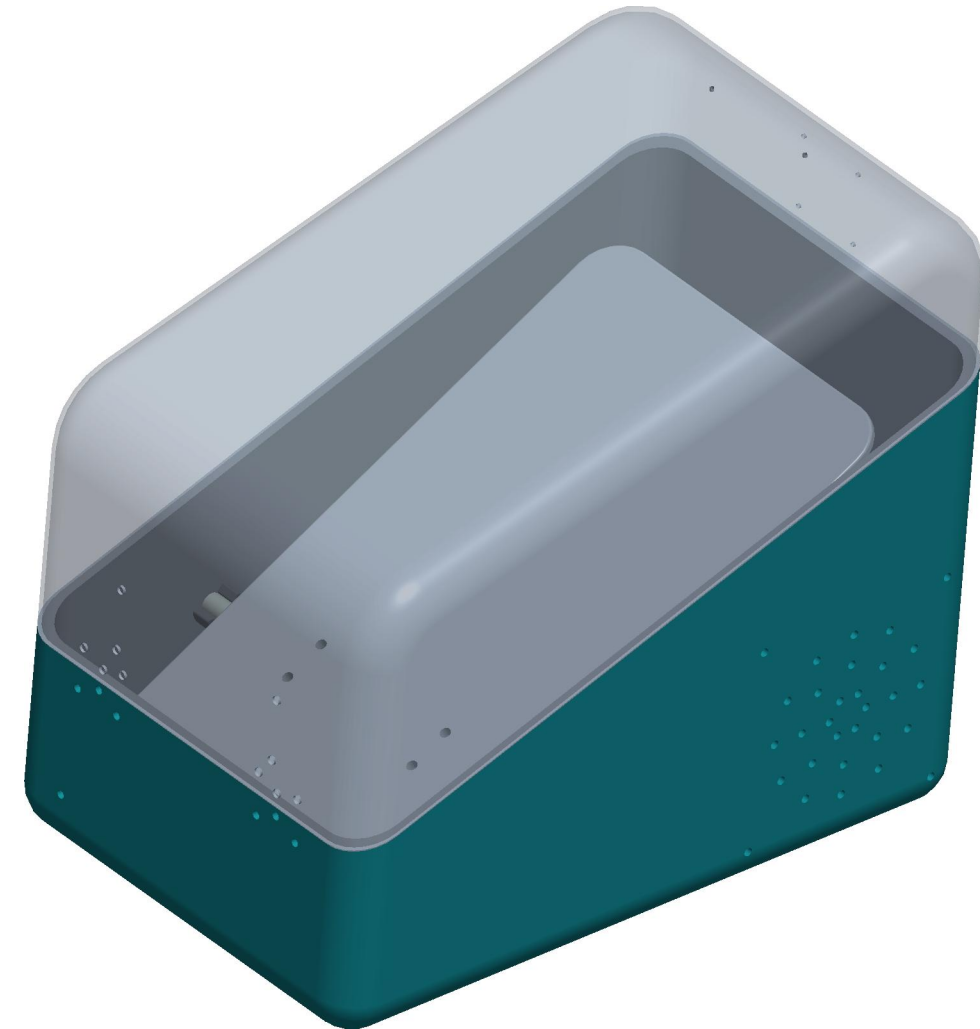
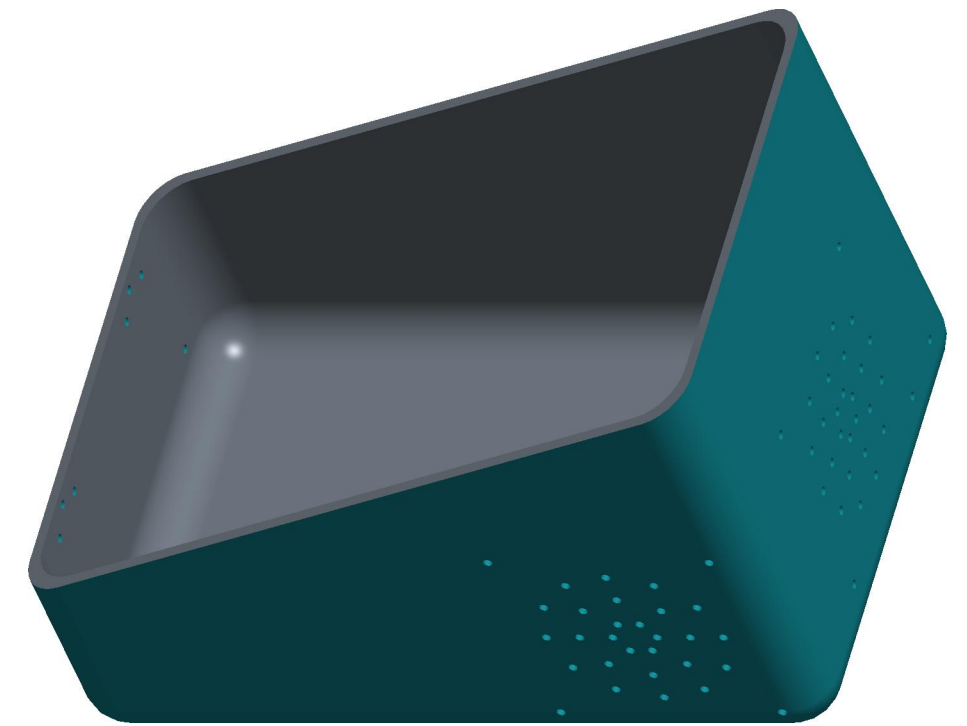
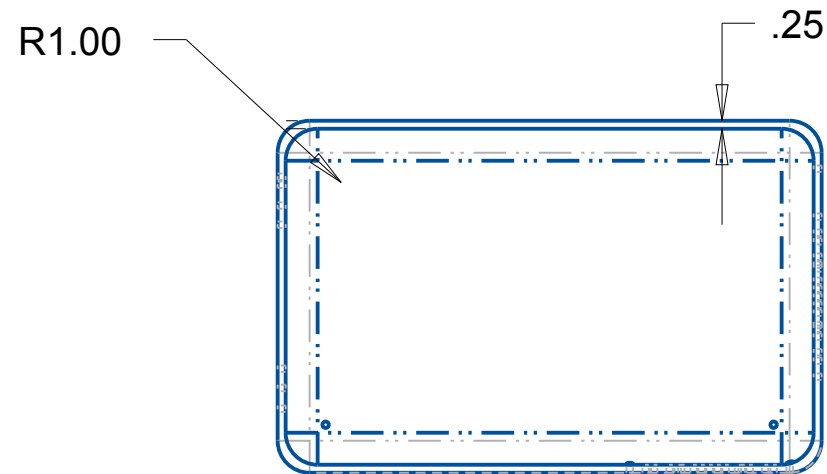


ITEM	DESCRIPTION	DRAWING #	QTY
1	Base	P18026_Final_Inc_Base	1
2	Rod Holder	P18026_Bed_Rod_Holder	2
3	Dehumidifier Asy	P18026_Dehumidifier_Box	1
4	Bed Rod	P18026_Bed_Rod	1
5	Bedding Base	P18026_Final_Bedding_Base	1
6	Top	P18026_Incubator_Top	1
7	Humidifier Tank	P19026_Water_Tank	1

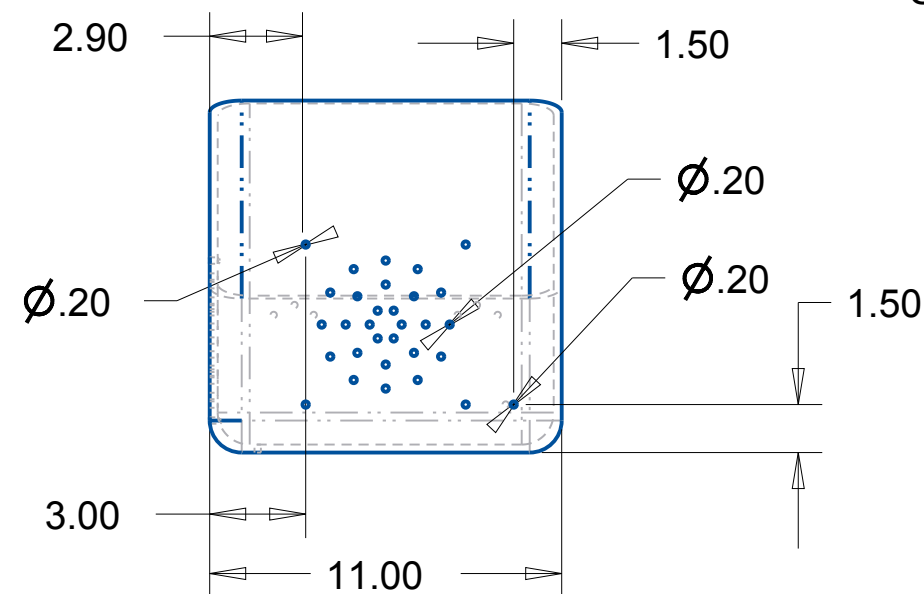
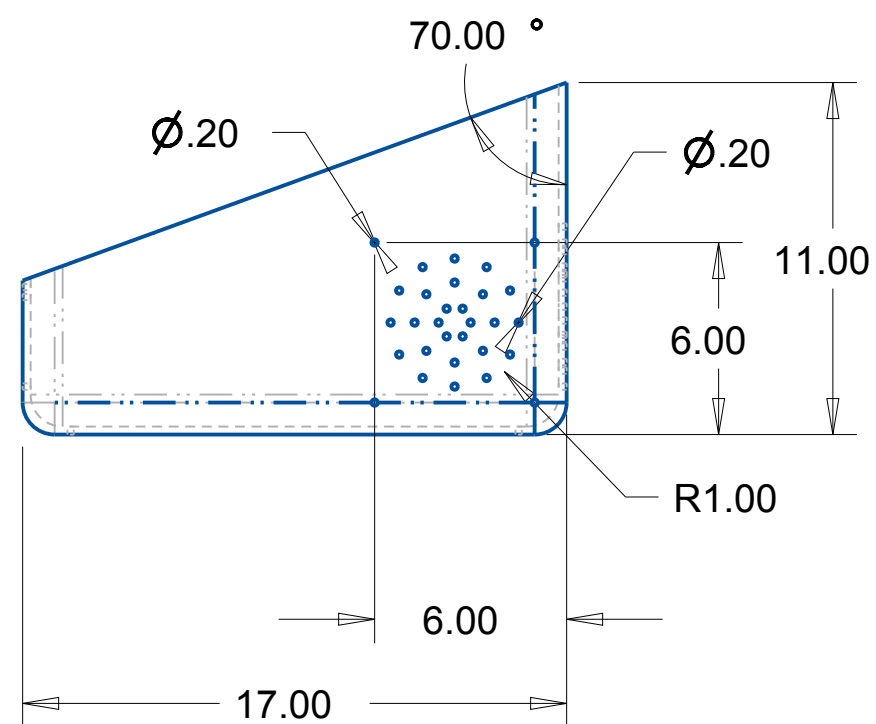


SCALE 0.250

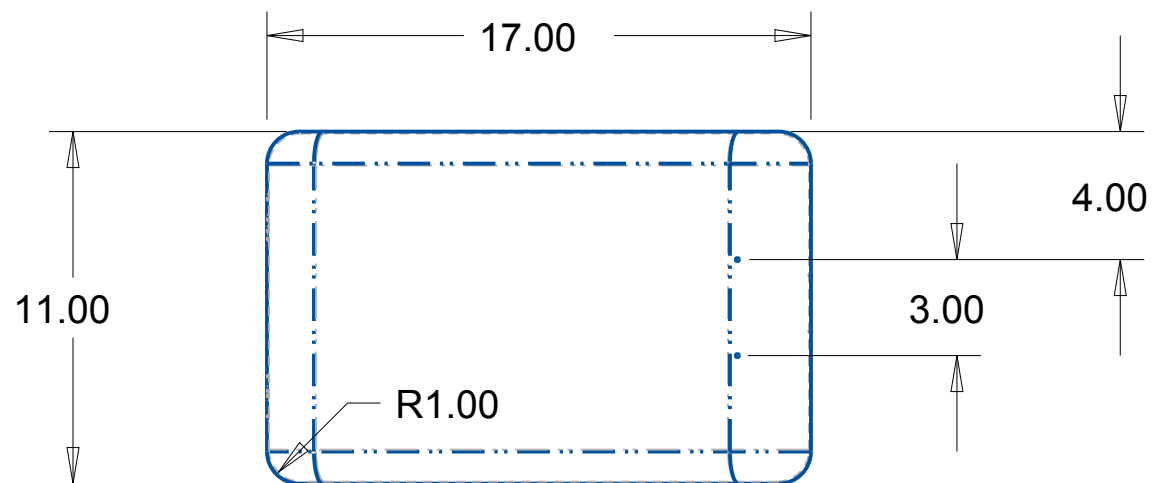
GENERAL TOLERANCES UNLESS NOTED .XXX .XX ANGLES			R.I.T ROCHESTER, NY		
0.001 0.01 0.50					
DRAWN V. Tripp		DATE Oct-02-17	MODEL P18026_FINAL_INCUBATOR		
CHECKED		DATE	SIZE B	DRAWING NAME P18026_INCUBATOR_BASE	
APPROVED		DATE	SCALE 0.167	MATERIAL	SHEET 1/11



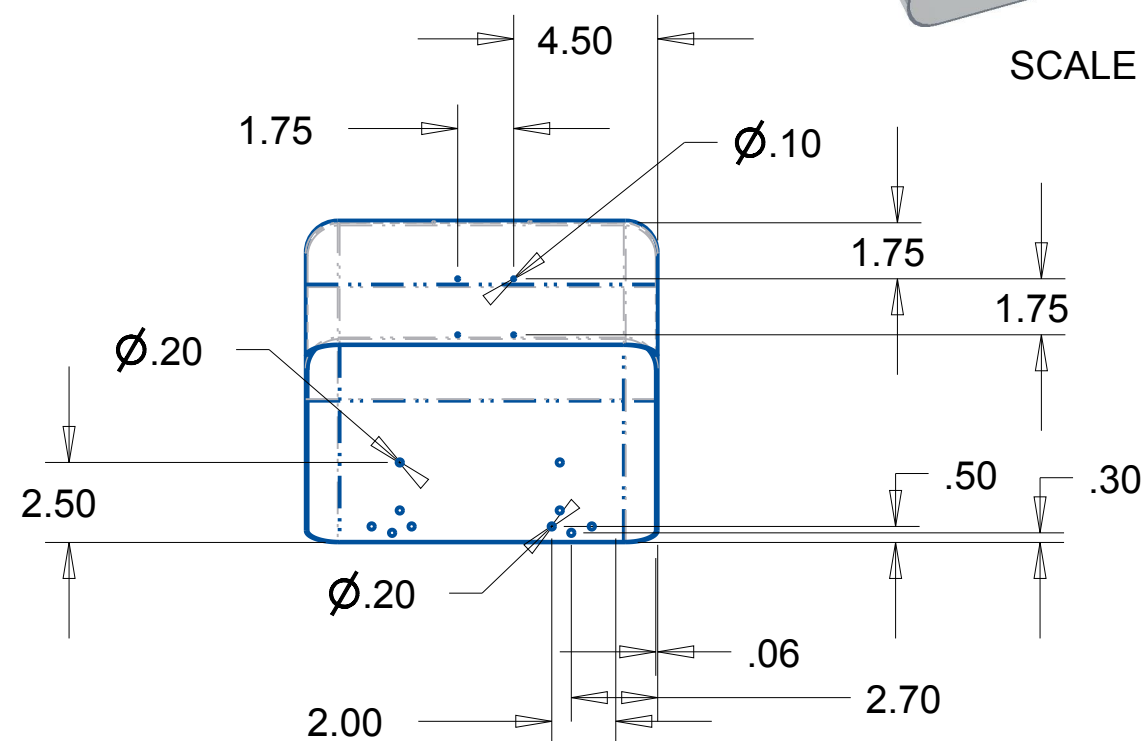
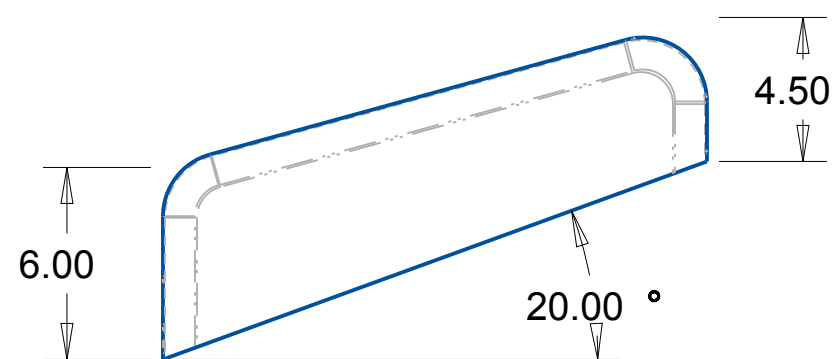
SCALE 0.250



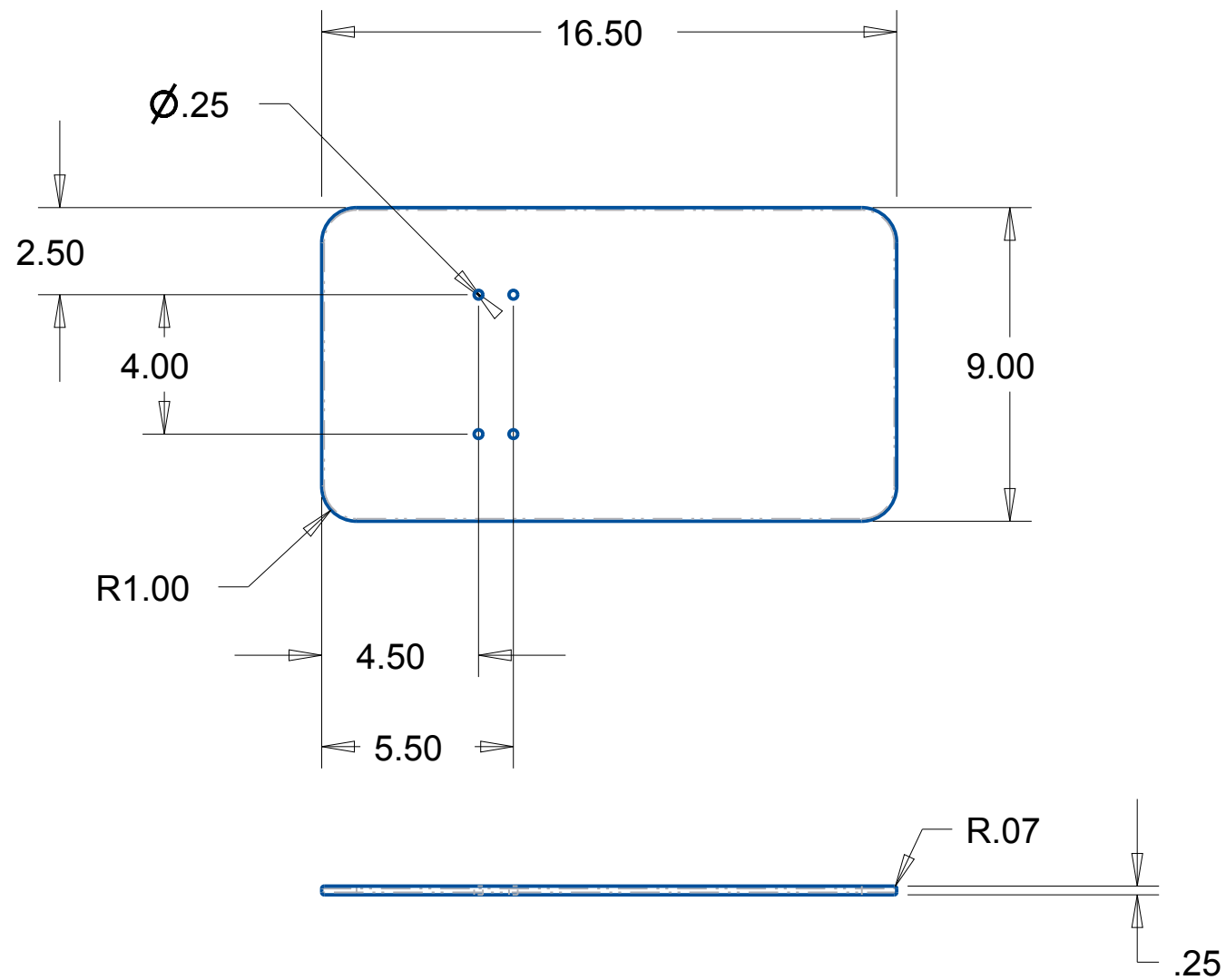
GENERAL TOLERANCES UNLESS NOTED			R.I.T		ROCHESTER, NY	
.XXX	.XX	ANGLES				
0.001	0.01	0.50	MODEL			
DRAWN			P18026_FINAL_INC_BASE			
V. Tripp			DATE			
			Oct-02-17			
CHECKED			SIZE		DRAWING NAME	
			B		P18026_INCUBATOR_BASE	
APPROVED			SCALE		MATERIAL	
			0.167		High Impact Polystyrene	
					SHEET 2/11	



SCALE 0.250



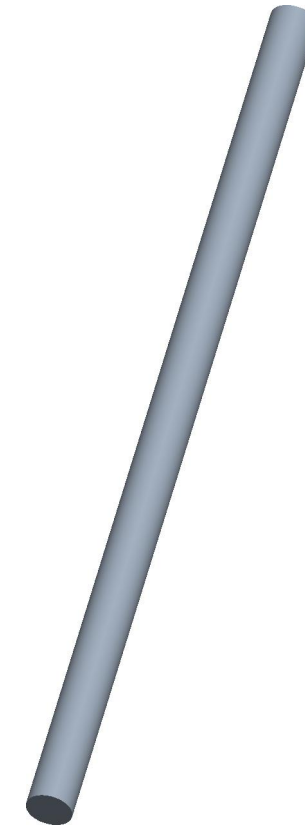
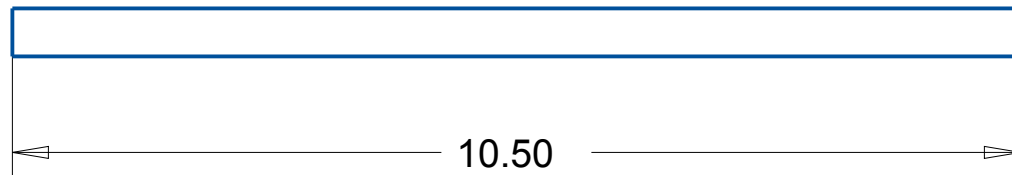
GENERAL TOLERANCES UNLESS NOTED			R.I.T		ROCHESTER, NY	
.XXX	.XX	ANGLES				
0.001	0.01	0.50	MODEL			
DRAWN			P18026_INCRUBATOR_TOP			
V. Tripp			DATE			
Oct-02-17			SIZE			
CHECKED			DRAWING NAME			
DATE			B			
APPROVED			P18026_INCUBATOR_BASE			
DATE			SCALE 0.167		MATERIAL Polycarbonate	
					SHEET 3/11	



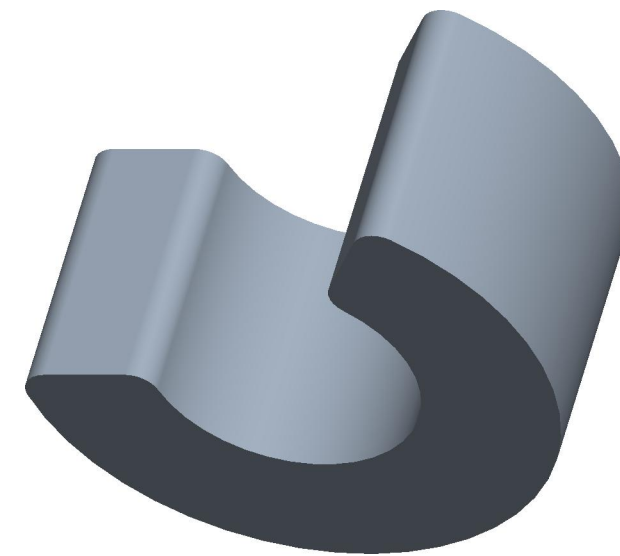
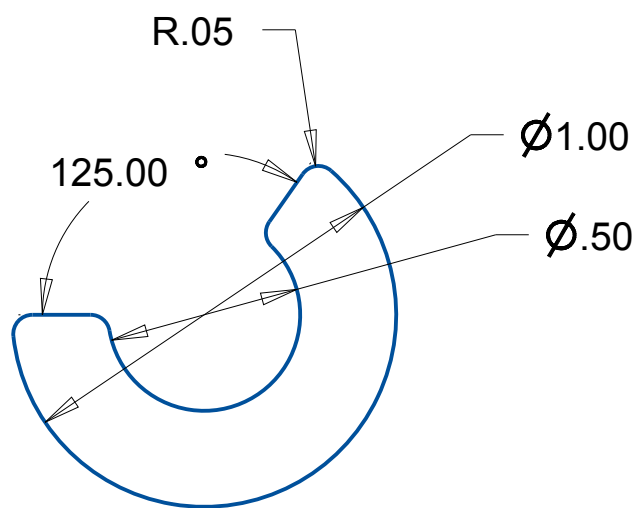
SCALE 0.250

GENERAL TOLERANCES UNLESS NOTED			R.I.T		ROCHESTER, NY	
.XXX	.XX	ANGLES				
0.001	0.01	0.50	MODEL			
DRAWN		DATE	P18026_FINAL_BEDDING_BASE			
V. Tripp		Oct-02-17				
CHECKED		DATE	SIZE	DRAWING NAME		
			B	P18026_INCUBATOR_BASE		
APPROVED		DATE	SCALE	MATERIAL	SHEET	
			0.200	Polycarbonate	4/11	

Ø.50

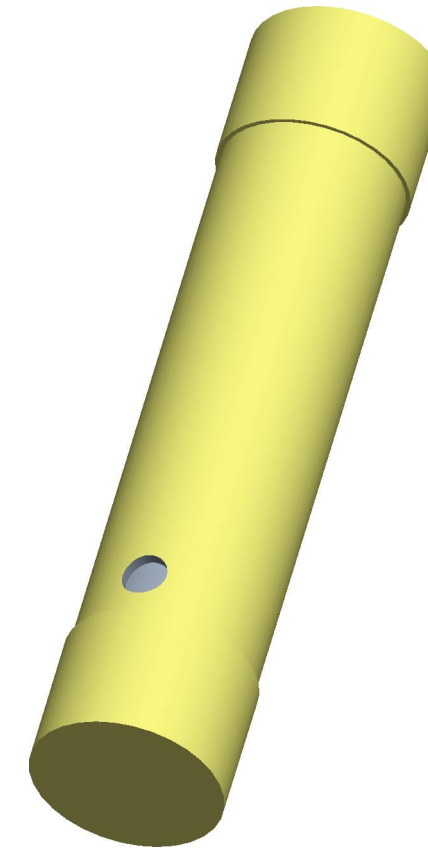
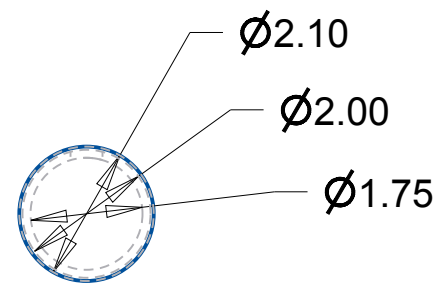
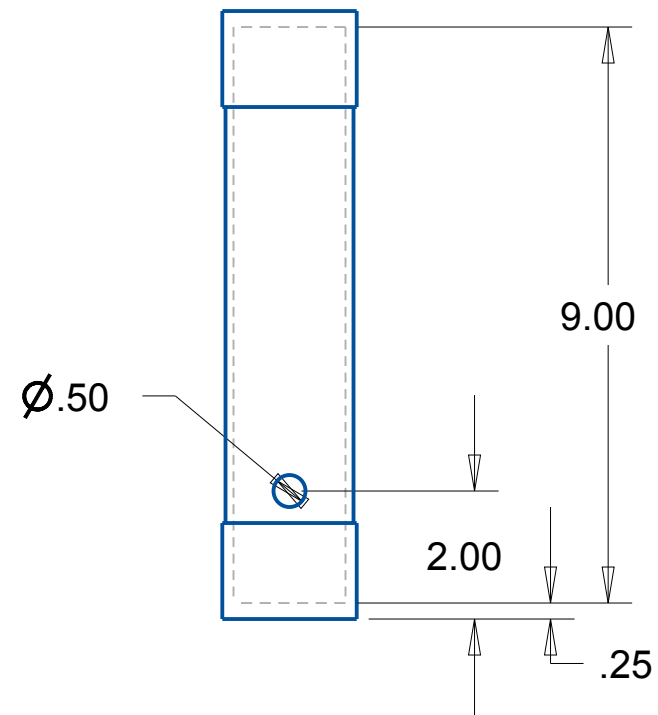


GENERAL TOLERANCES UNLESS NOTED			R.I.T		ROCHESTER, NY	
.XXX	.XX	ANGLES				
0.001	0.01	0.50	MODEL			
DRAWN		DATE	P18026_BED_ROD			
V. Tripp		Oct-02-17				
CHECKED		DATE	SIZE	DRAWING NAME		
			B	P18026_INCUBATOR_BASE		
APPROVED		DATE	SCALE	MATERIAL	SHEET	
			0.500	Aluminum	5/11	



SCALE 3.000

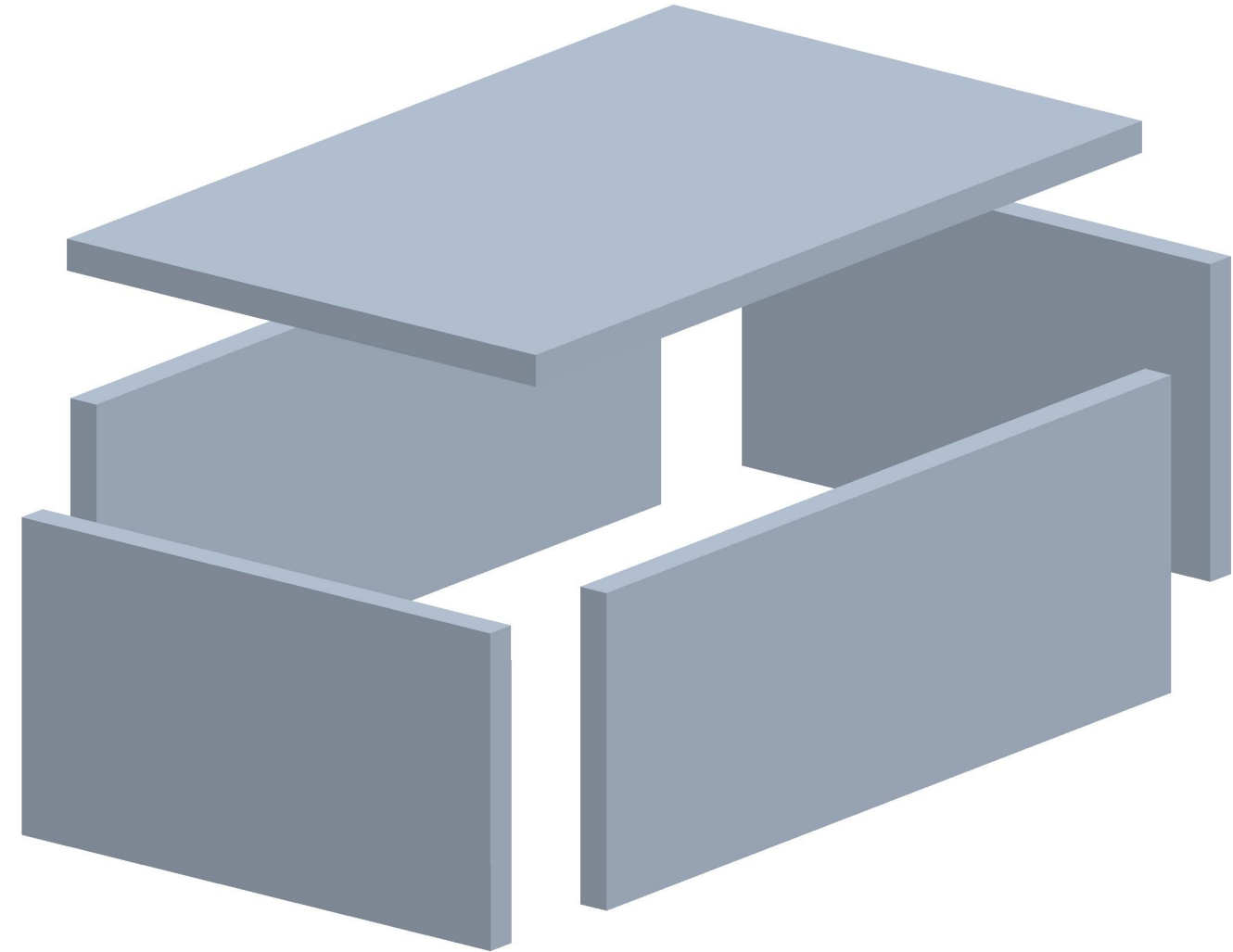
GENERAL TOLERANCES UNLESS NOTED .XXX .XX ANGLES			R.I.T ROCHESTER, NY		
0.001 0.01 0.50					
DRAWN V. Tripp		DATE Oct-02-17	MODEL 18026_BED_ROD HOLDER		
CHECKED		DATE			
APPROVED		DATE	SIZE B	DRAWING NAME P18026_INCUBATOR_BASE	
SCALE	2.000	MATERIAL		Plastic	SHEET 6/11



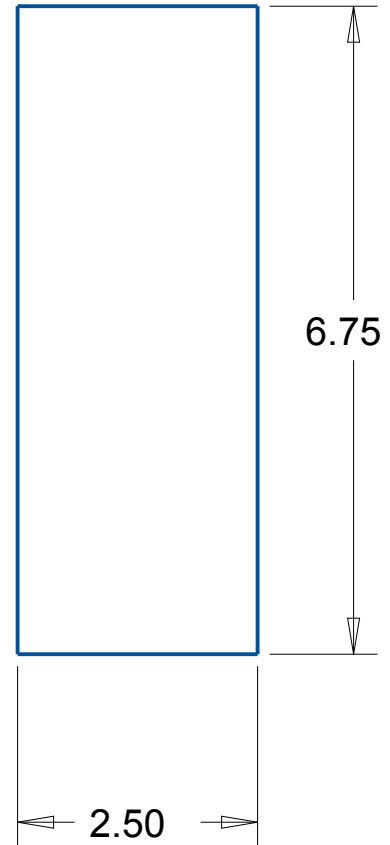
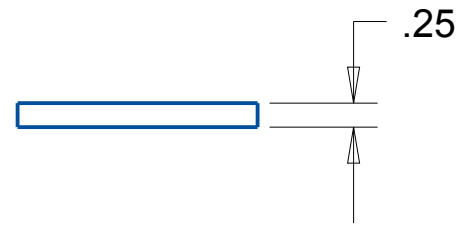
SCALE 0.500

GENERAL TOLERANCES UNLESS NOTED			R.I.T		ROCHESTER, NY	
.XXX	.XX	ANGLES				
0.001	0.01	0.50	MODEL			
DRAWN		DATE	P18026_HUMID_TANK			
V. Tripp		Oct-02-17				
CHECKED		DATE	SIZE	DRAWING NAME		
			B	P18026_INCUBATOR_BASE		
APPROVED		DATE	SCALE	MATERIAL	SHEET	
			0.333	PVC Pipe	7/11	

ITEM	DESCRIPTION	DWG #	QTY
1	Side 1	P18026_Dehumid_Side1	2
2	Side 2	P18026_Dehumid_Side2	2
3	Top	P18026_Dehumid_Top	1

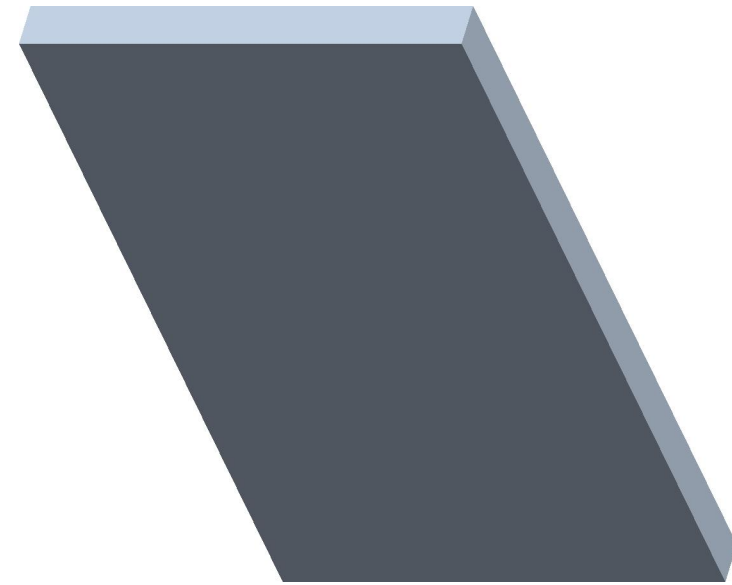
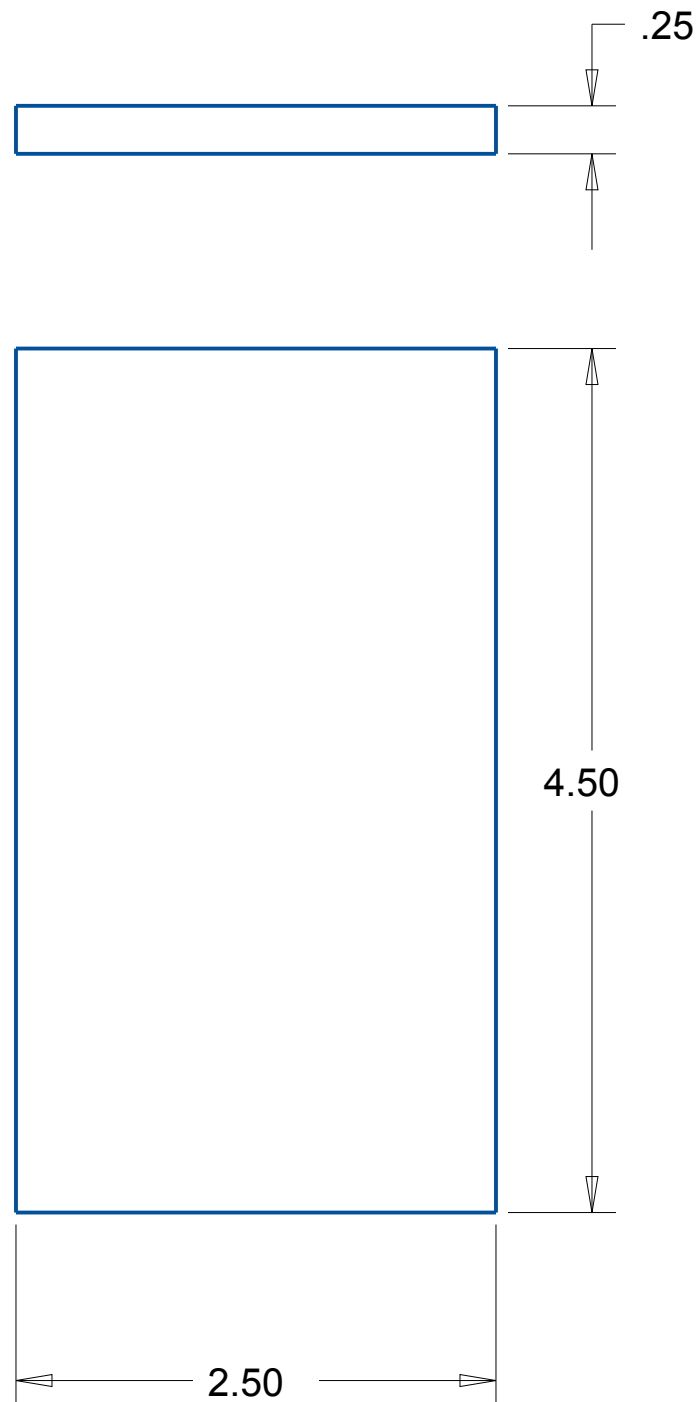


GENERAL TOLERANCES UNLESS NOTED .XXX .XX ANGLES			R.I.T ROCHESTER, NY		
0.001 0.01 0.50					
DRAWN V. Tripp		DATE Oct-02-17	MODEL 18026_DEHIMIDIFIER_BOX		
CHECKED		DATE			
APPROVED		DATE	SIZE B	DRAWING NAME P18026_INCUBATOR_BASE	
			SCALE 0.750	MATERIAL High Impact Polystyrene	SHEET 8/11

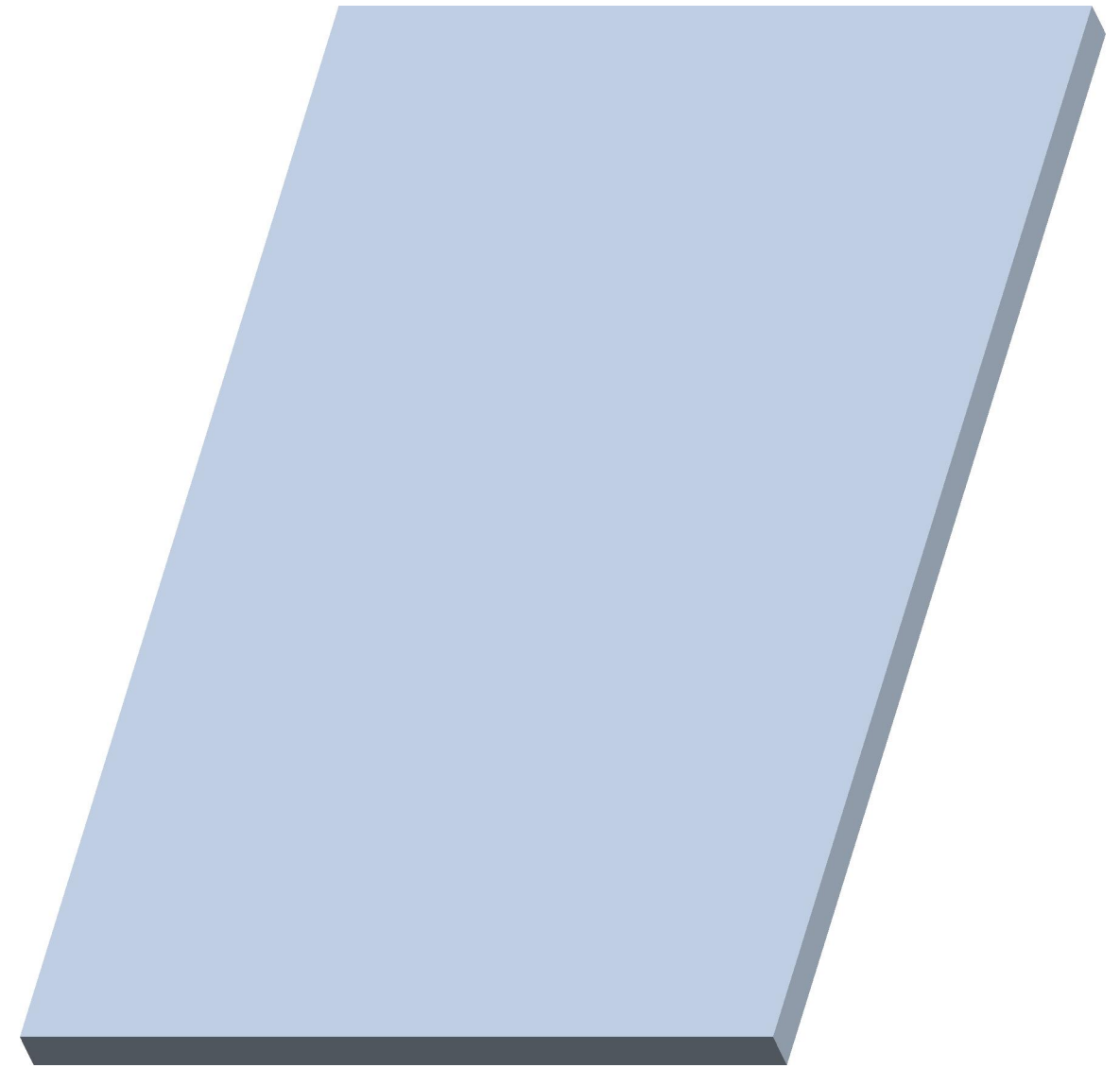
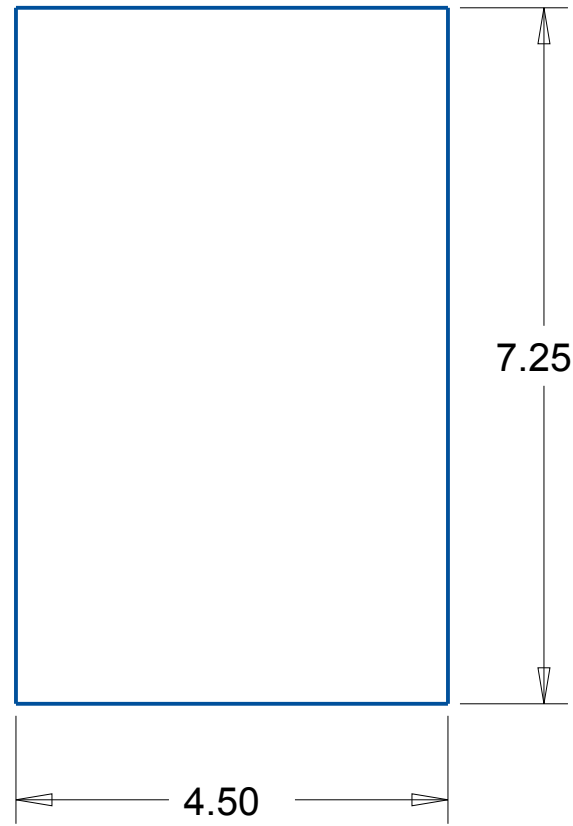


SCALE 1.000

GENERAL TOLERANCES UNLESS NOTED			R.I.T		ROCHESTER, NY	
.XXX	.XX	ANGLES				
0.001	0.01	0.50	MODEL			
DRAWN		DATE	18026_DEHUMID_SIDE1			
V. Tripp		Oct-02-17				
CHECKED		DATE	SIZE	DRAWING NAME		
			B	P18026_INCUBATOR_BASE		
APPROVED		DATE	SCALE	MATERIAL	SHEET	
			0.500	High Impact Polystyrene	9/11	



GENERAL TOLERANCES UNLESS NOTED			R.I.T		ROCHESTER, NY	
.XXX	.XX	ANGLES				
0.001	0.01	0.50	MODEL			
DRAWN		DATE	18026_DEHUMID_SIDE2			
V. Tripp		Oct-02-17				
CHECKED		DATE	SIZE	DRAWING NAME		
			B	P18026_INCUBATOR_BASE		
APPROVED		DATE	SCALE	MATERIAL	SHEET	
			1.000	High Impact Polystyrene	10/11	



SCALE 1.000

GENERAL TOLERANCES UNLESS NOTED			R.I.T		ROCHESTER, NY	
.XXX	.XX	ANGLES				
0.001	0.01	0.50	MODEL			
DRAWN		DATE	P18026_DEHUMID_TOP			
V. Tripp		Oct-02-17				
CHECKED		DATE	SIZE	DRAWING NAME		
			B	P18026_INCUBATOR_BASE		
APPROVED		DATE	SCALE	MATERIAL	SHEET	
			0.500	High Impact Polystyrene	11/11	