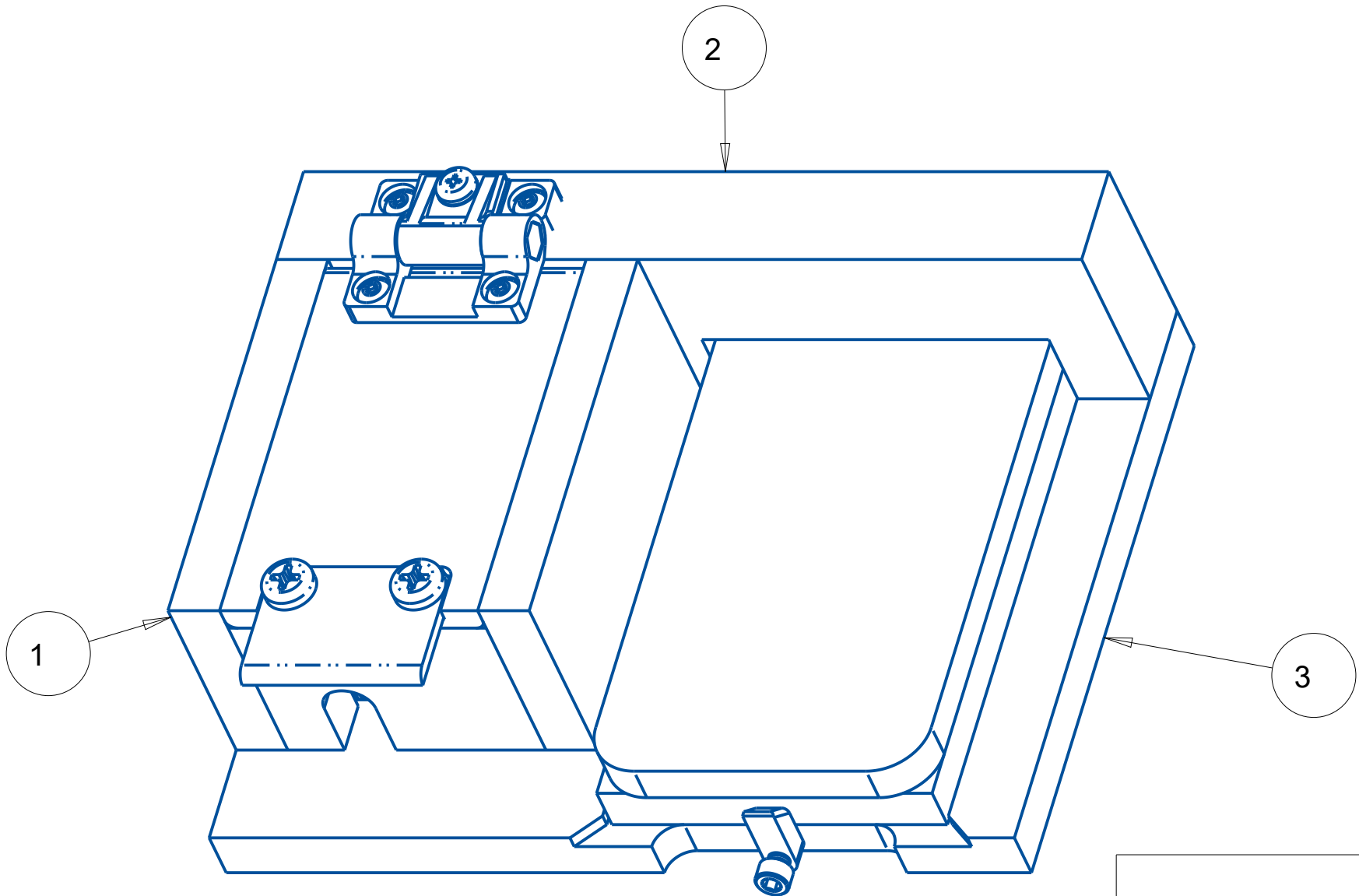
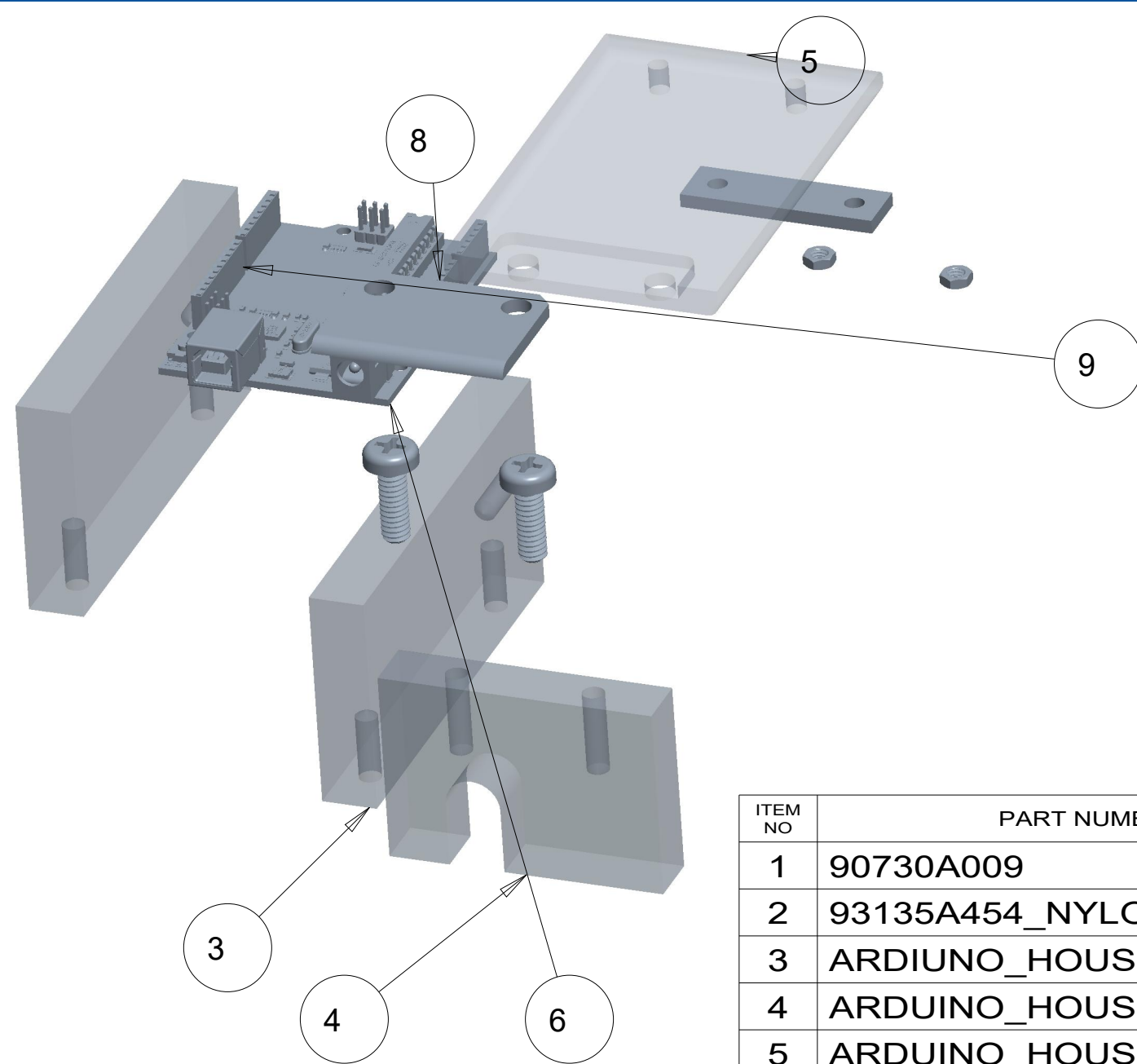


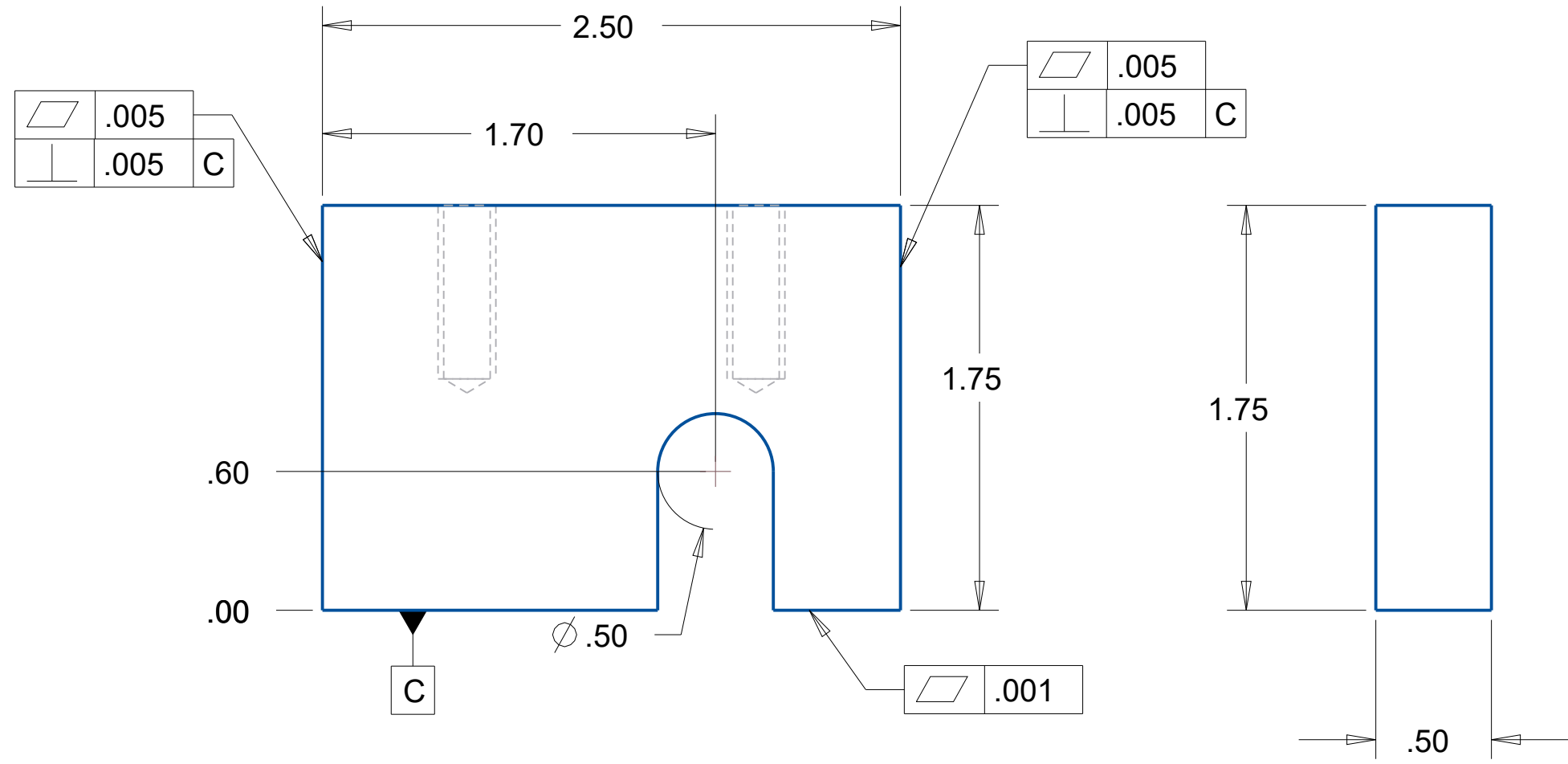
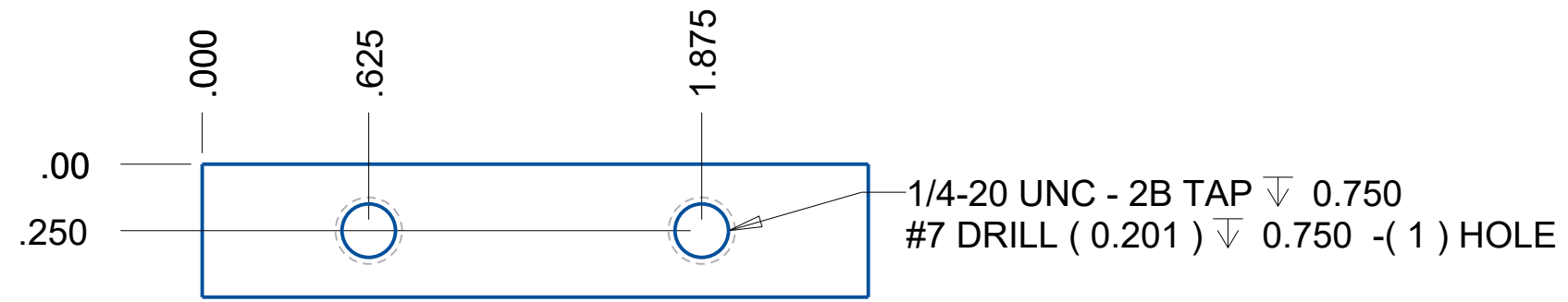
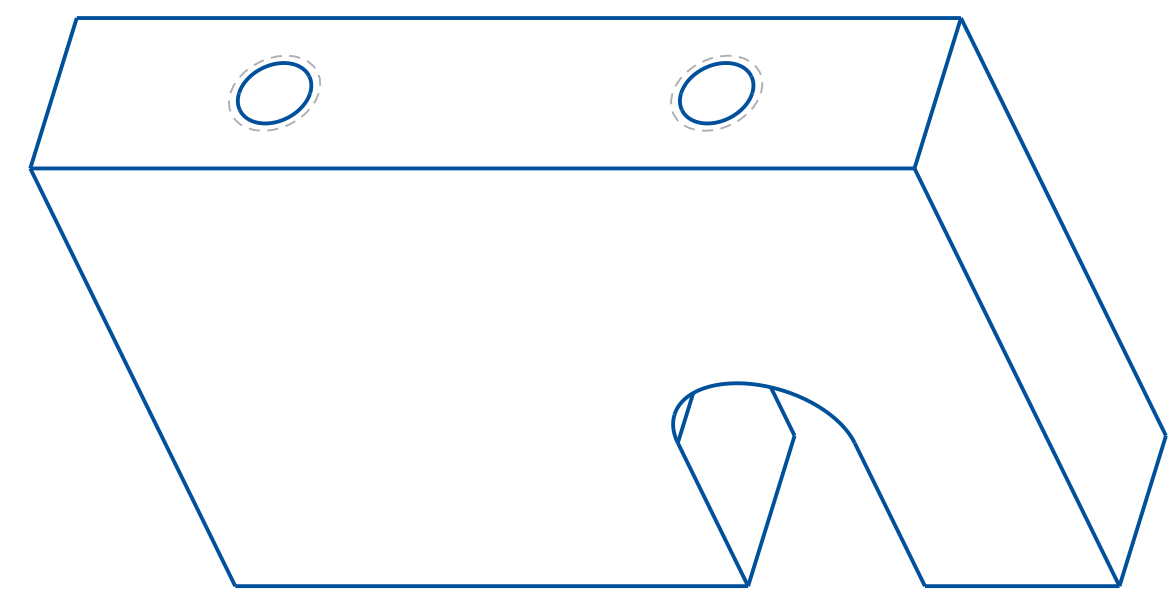
ITEM NO	PART NUMBER	QTY	DESCRIPTION	NOTES
1	ARDUINO_HOUSING	1	SEE BOM	
2	BACK_PLATE	1	SEE BOM	
3	BASE_PLATE	1	SEE BOM	

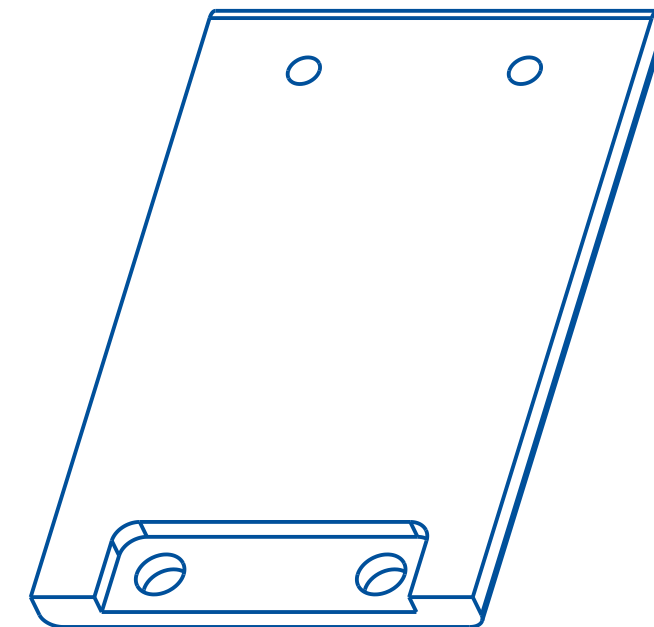
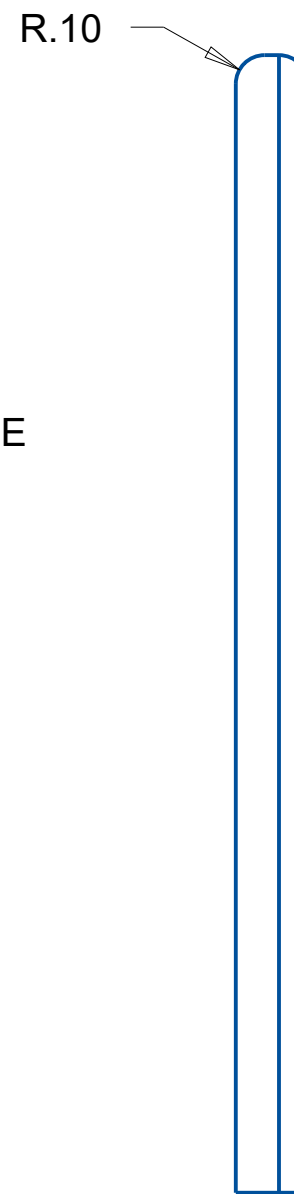
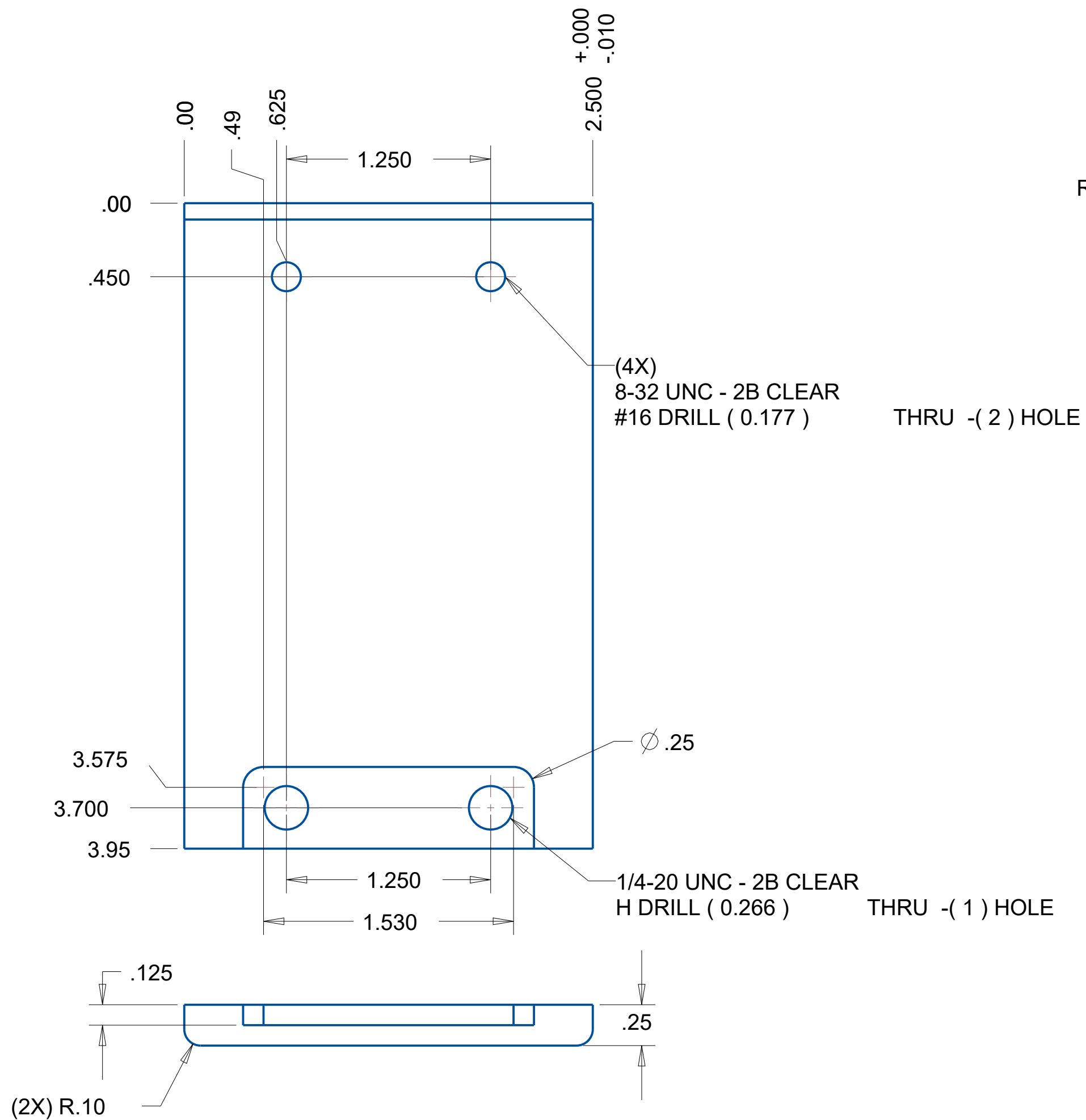


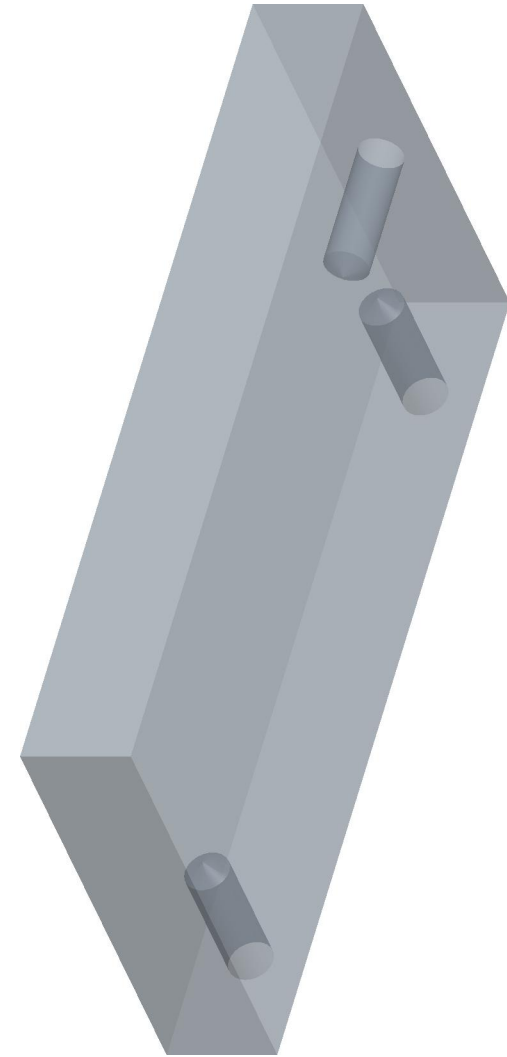
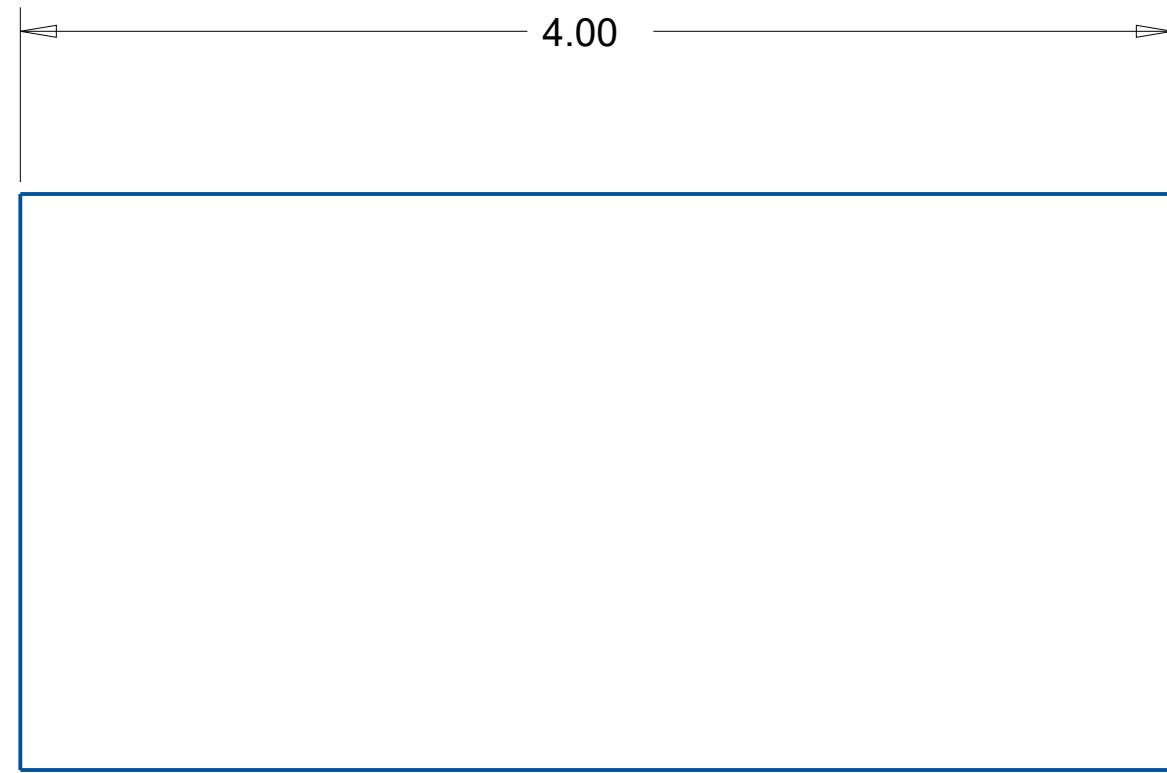
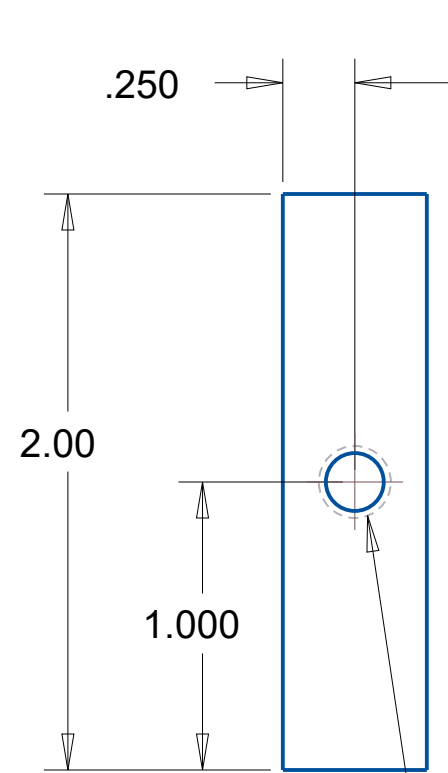
0.001	0.01	0.50	FINAL_DESIGN		
MSD 18082		Oct-02-17			
			FINAL_DESIGN		
			0.500	SEE BOM	1/15



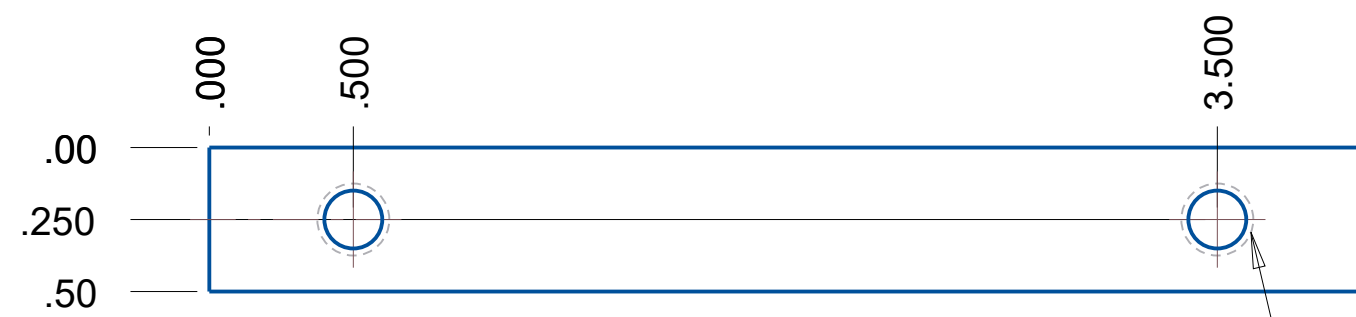
ITEM NO	PART NUMBER	QTY	DESCRIPTION	VENDOR
1	90730A009	2	SS 8-32 THD HEX NUT	MCMASTER CARR
2	93135A454_NYLON_PAN_HEAD_2	2	MACHIN	
3	ARDUINO_HOUSING_SIDE	1	AA 6061 2 X 4 X .75	FABRICATED
4	ARDUINO_HOUSING_FRONT	1	AA 6061 1.75 X 2.5 X .5	FABRICATED
5	ARDUINO_HOUSING_TOP	1	POLYCARB 4 X 2.5 X .25	FABRICATED
6	ARDUINO_UNO	1	R3 MICROCONTROLLER	ARDUINO
7	HINGE_PLATE	1	AA 6061 1.5 X .75 X .125	FABRICATED
8	LIFT_TAB	1	AA 6061 2 X 1.75 X .125	FABRICATED
9	RESTRAINING_WALL	1	AA 6061 2 X 4 X .75	FABRICATED



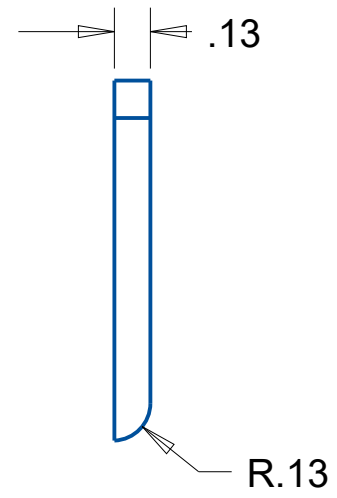
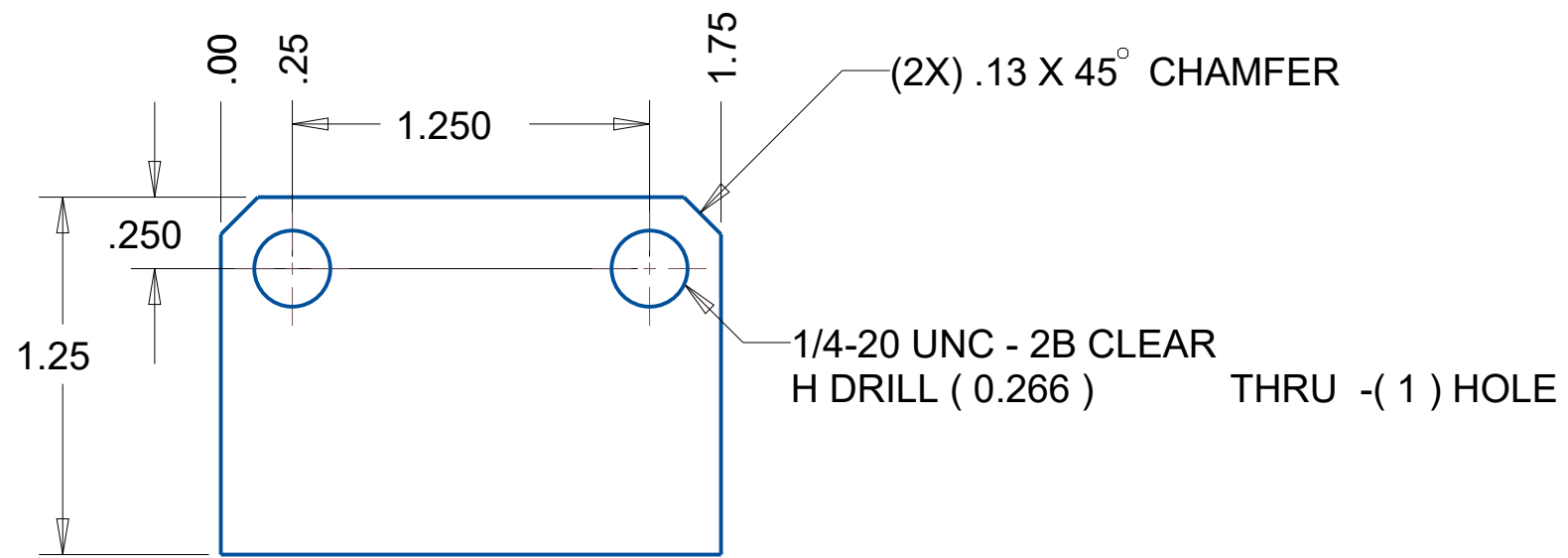


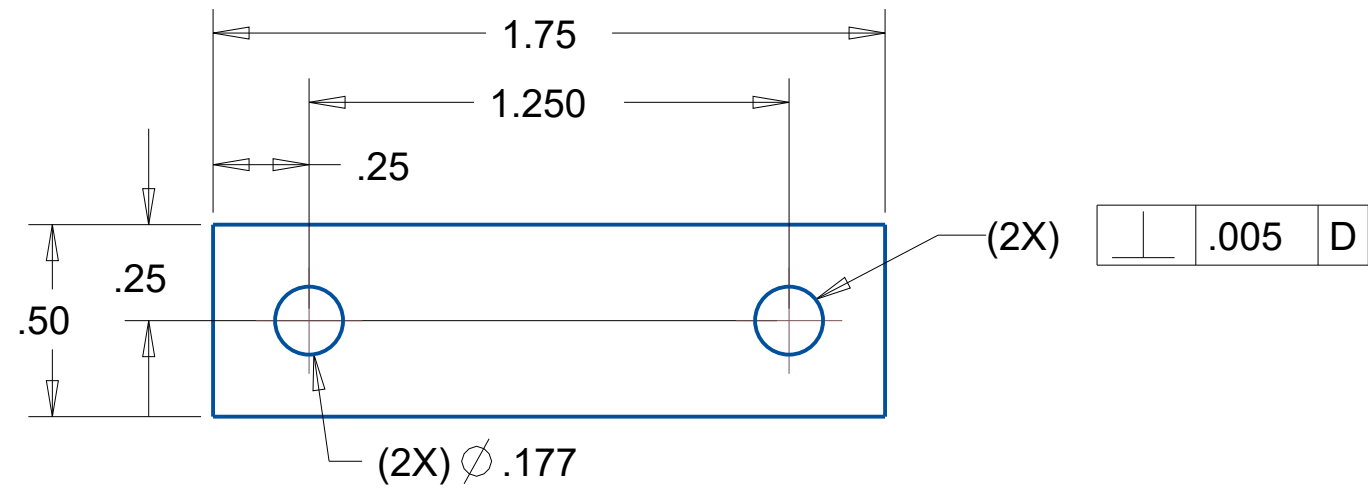
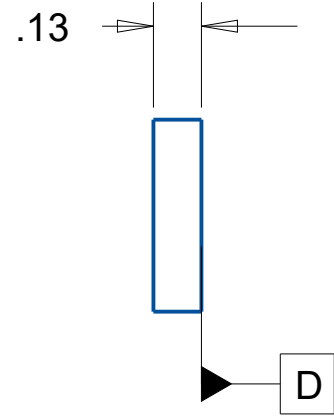


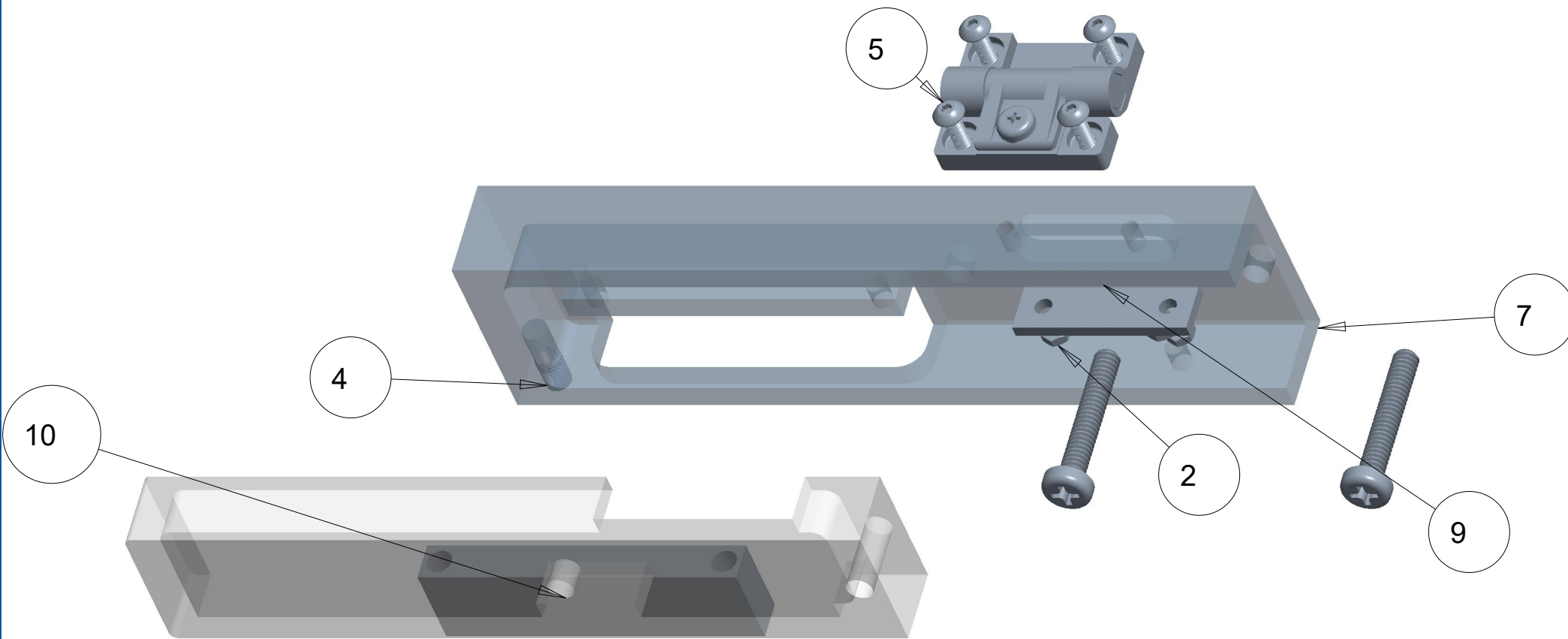
1/4-20 UNC - 2B TAP ∇ 0.480
 #7 DRILL (0.201) ∇ 0.600 -(1) HOLE



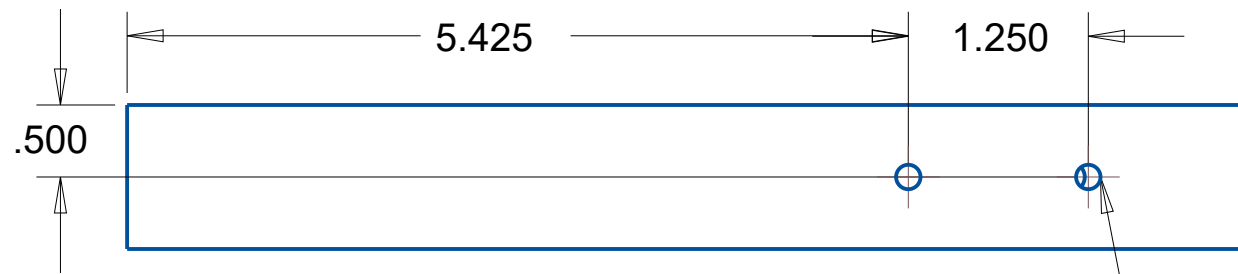
1/4-20 UNC - 2B TAP ∇ 0.480
 #7 DRILL (0.201) ∇ 0.600 -(1) HOLE





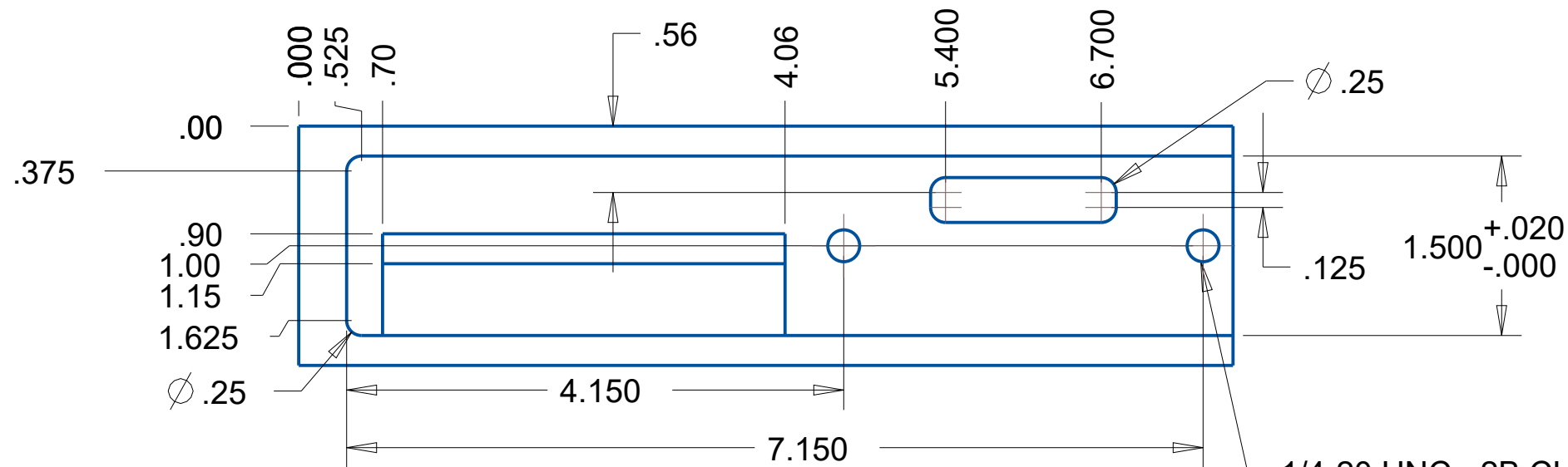
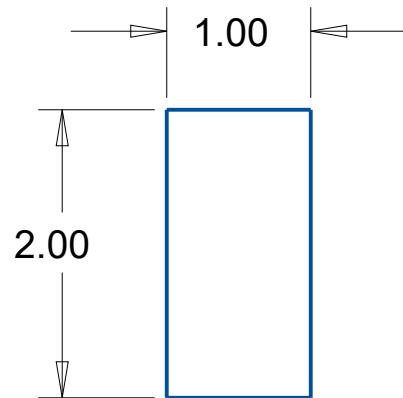
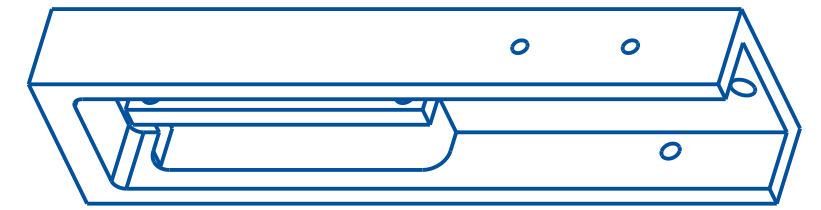


ITEM NO	PART NUMBER	QTY	DESCRIPTION	VENDOR
1	1791A440_ADJUSTABLE-FRICTION_HI			
2	90730A009	2	SS 8-32 THD HEX NUT	MCMASTER CARR
3	91841A011	1	SS 10-24 THD HEX NUT	MCMASTER CARR
4	92394A515	1	SS 10-32 THD INSERT	MCMASTER CARR
5	92949A196	4	SS 8-32 THD X 5/8 LG BHCS	MCMASTER CARR
6	93135A456_NYLON_PAN_HEAD_MACHIN			
7	BACK	1	8.25 X 2 X 1 DELRIN	FABRICATED
8	ELECTRICAL_CONTACT_PLATE			
9	HINGE_PLATE	1	AA 6061 1.5 X .75 X .125	FABRICATED
10	WIRE_PLATE	1	7.5 X 1.5 X .75 DELRIN	FABRICATED



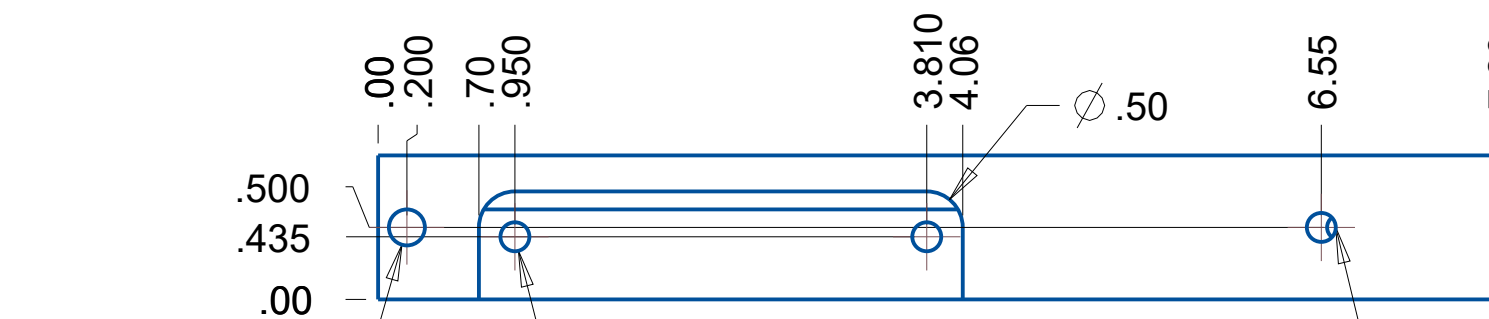
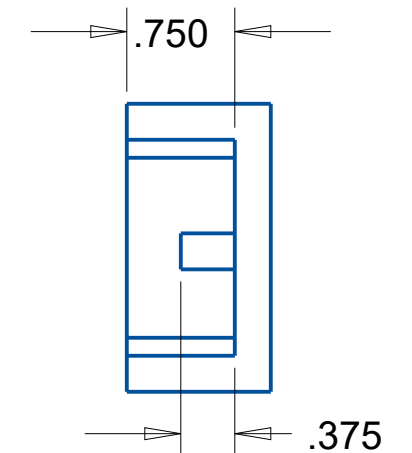
8-32 UNC - 2B CLEAR
#18 DRILL (0.170)

THRU -(2) HOLE



1/4-20 UNC - 2B CLEAR
H DRILL (0.266)

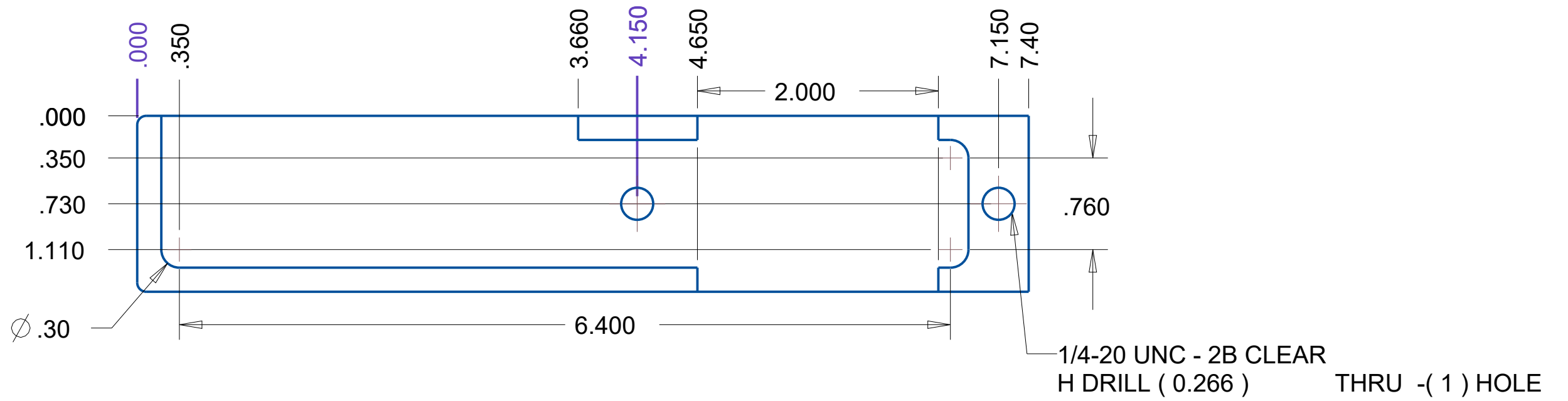
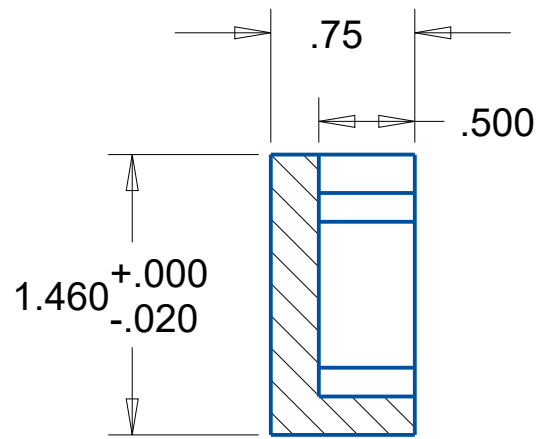
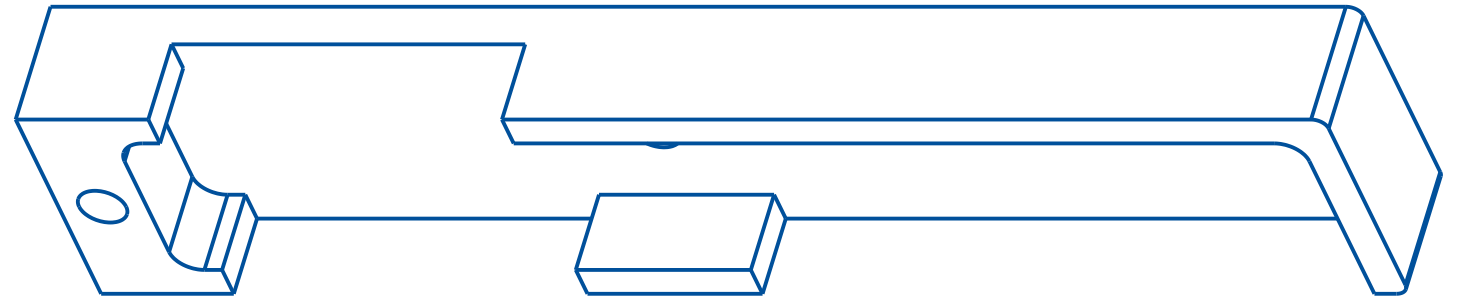
THRU -(1) HOLE



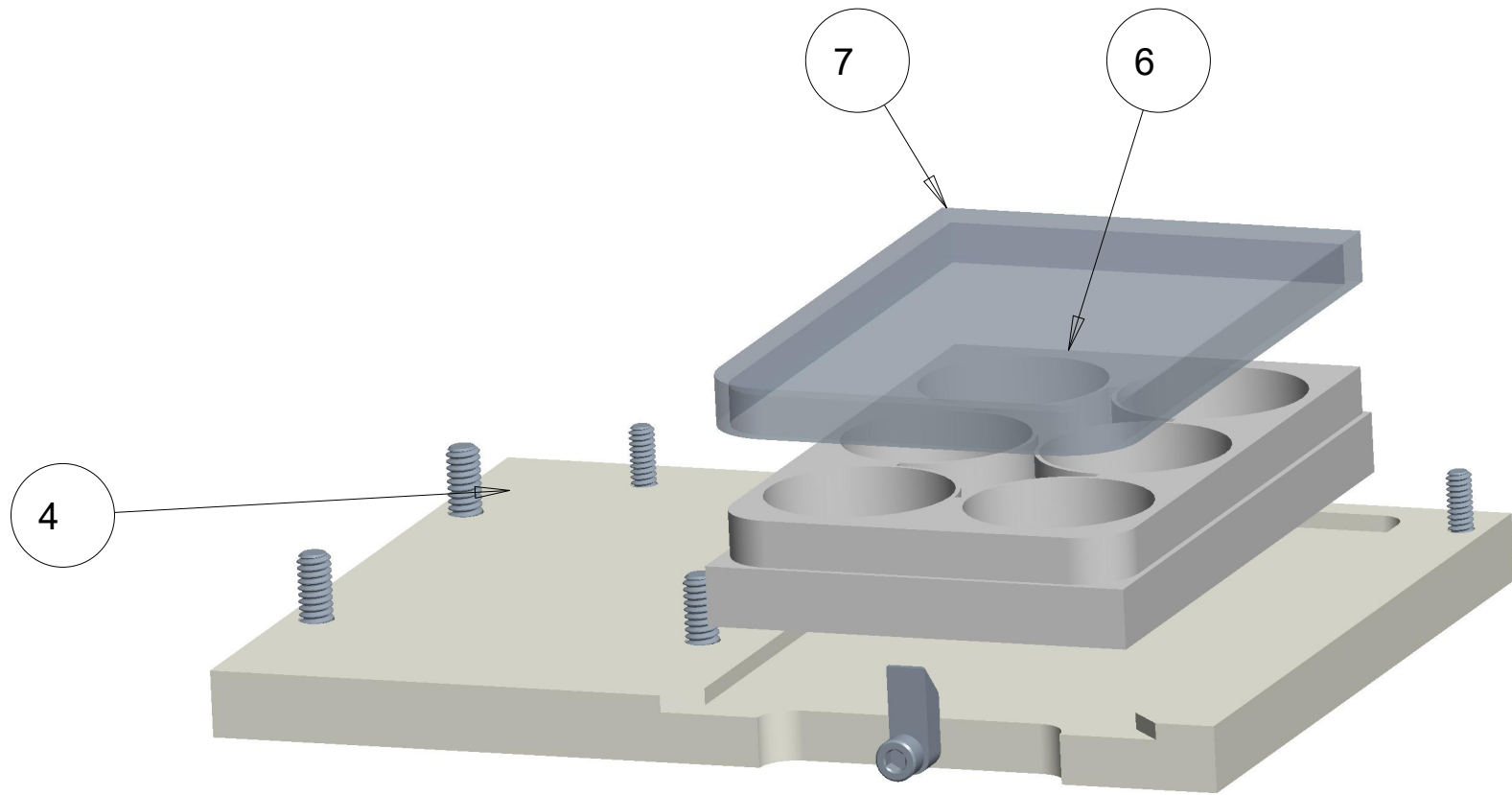
10-24 UNC - 2B CLEAR
#7 DRILL (0.201)

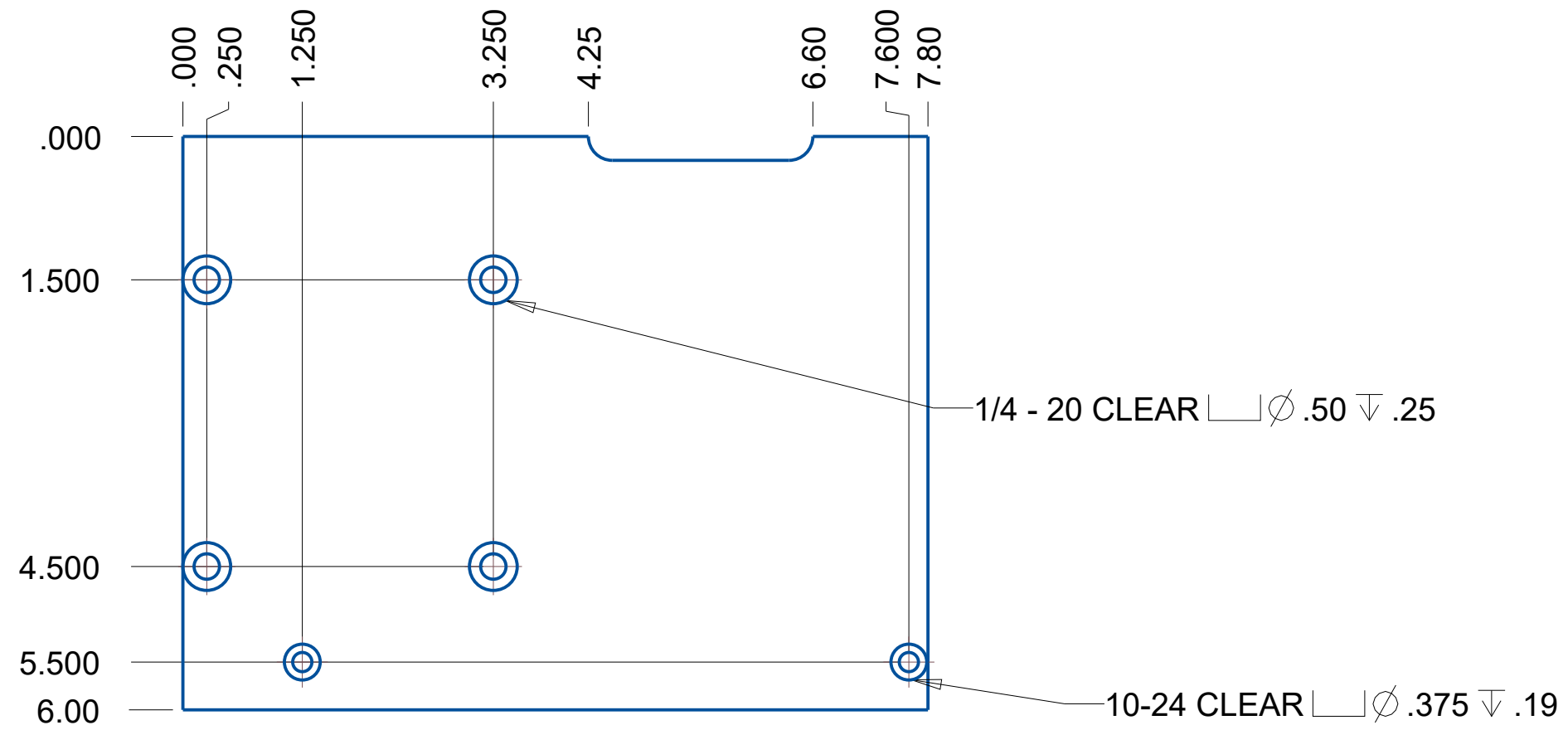
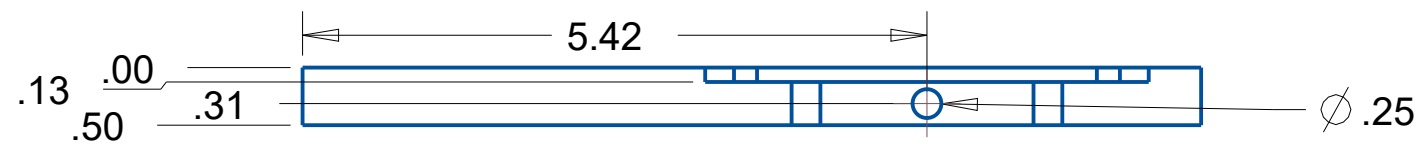
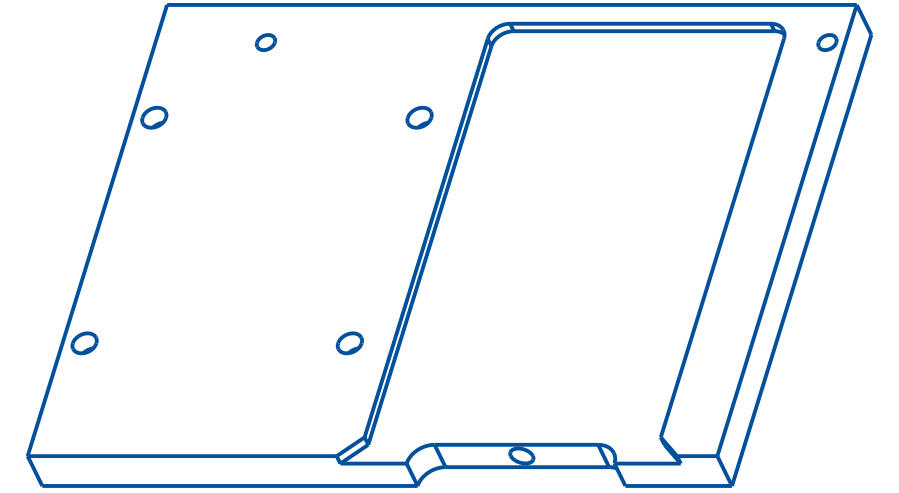
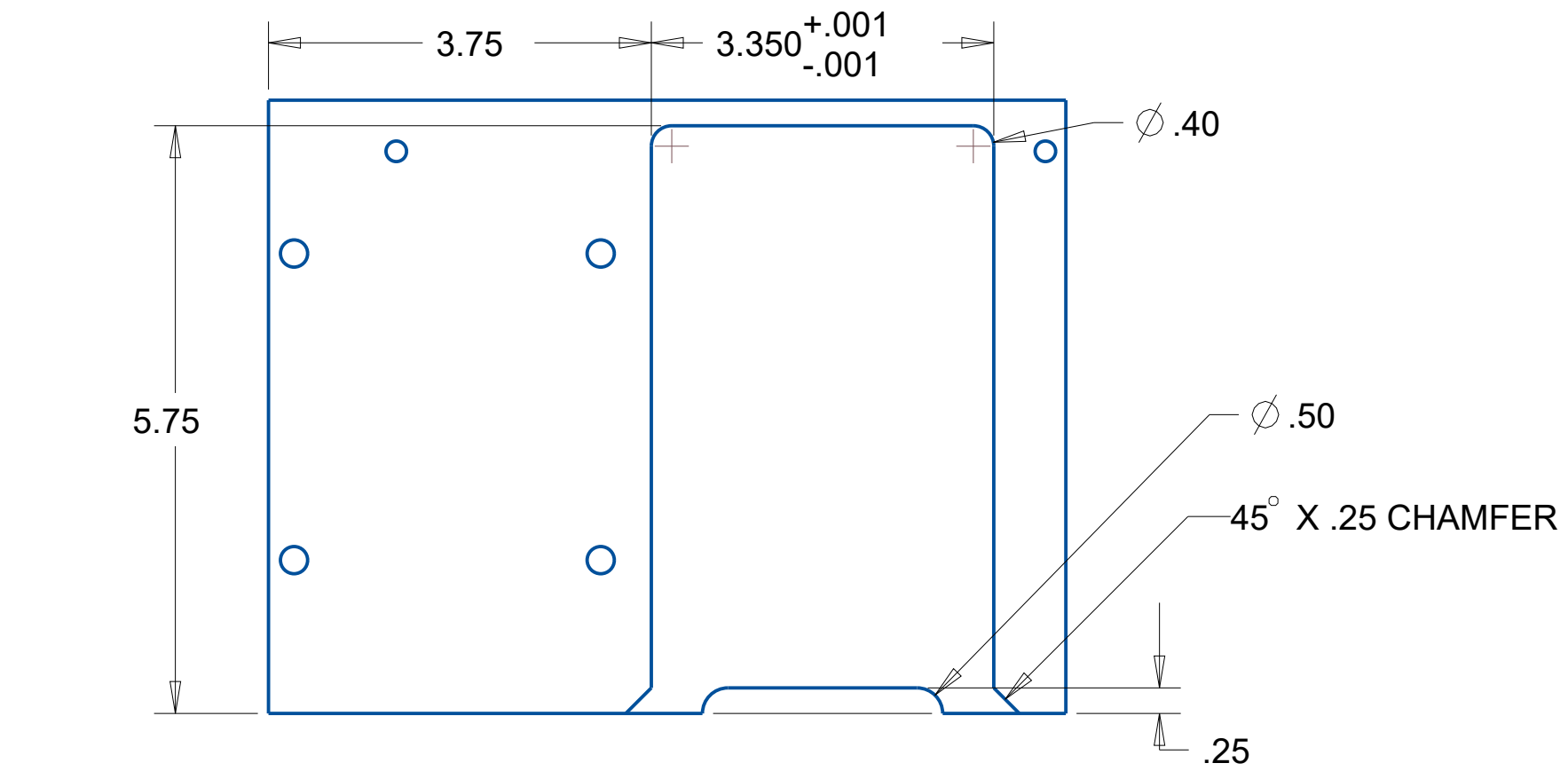
THRU -(1) HOLE

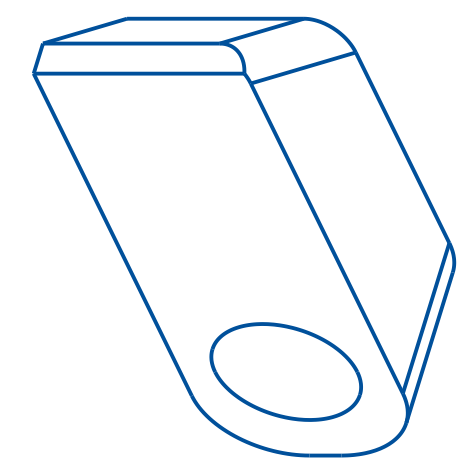
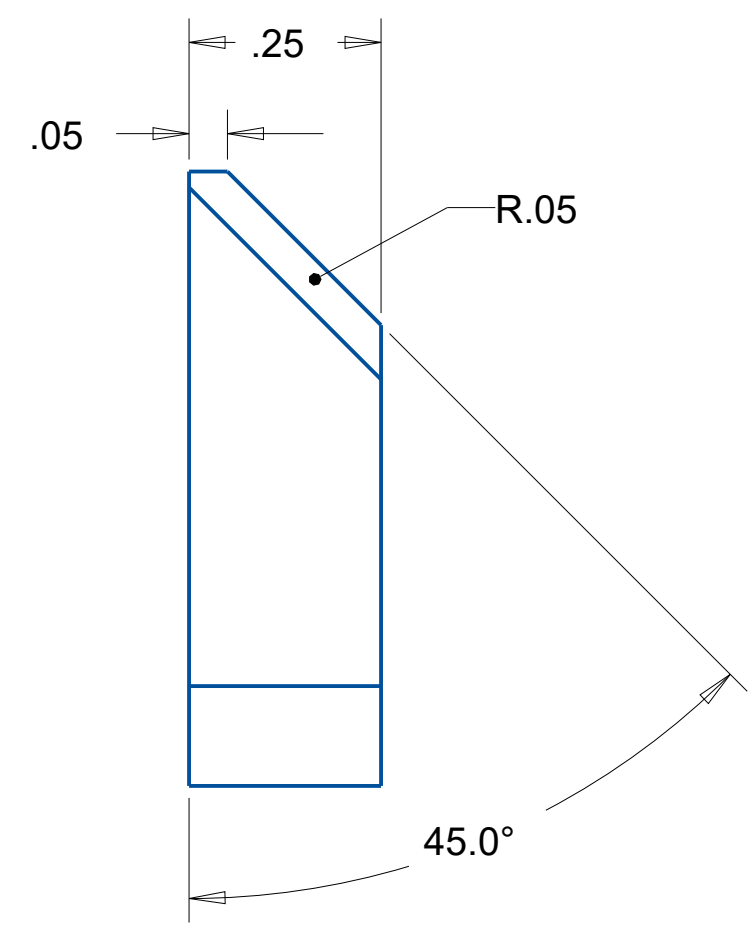
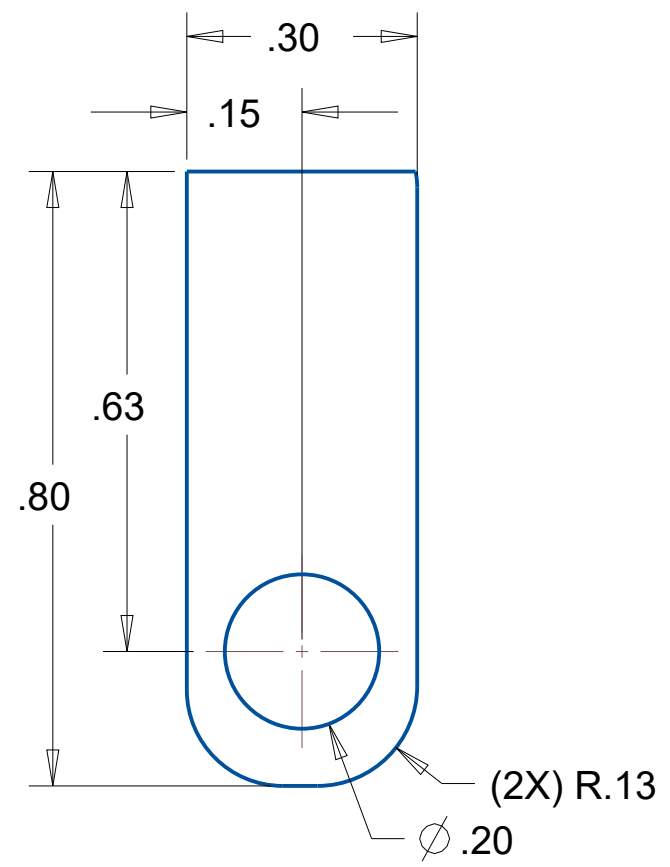
\varnothing .250 ∇ .50



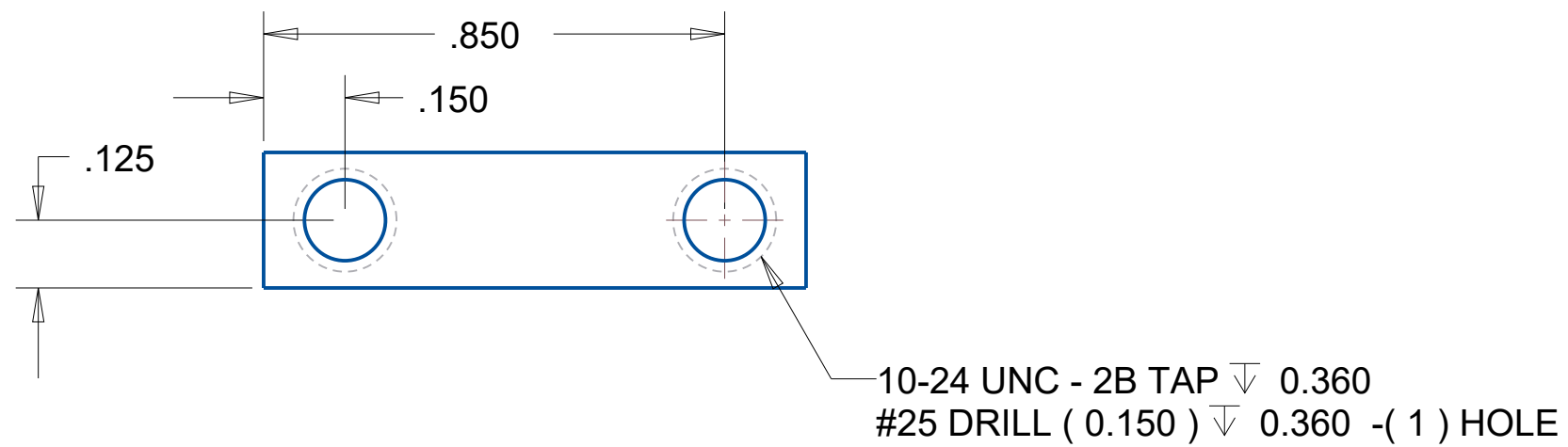
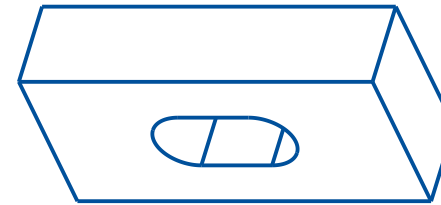
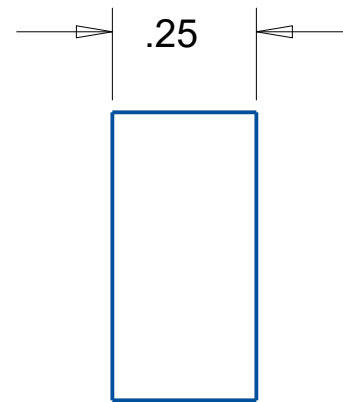
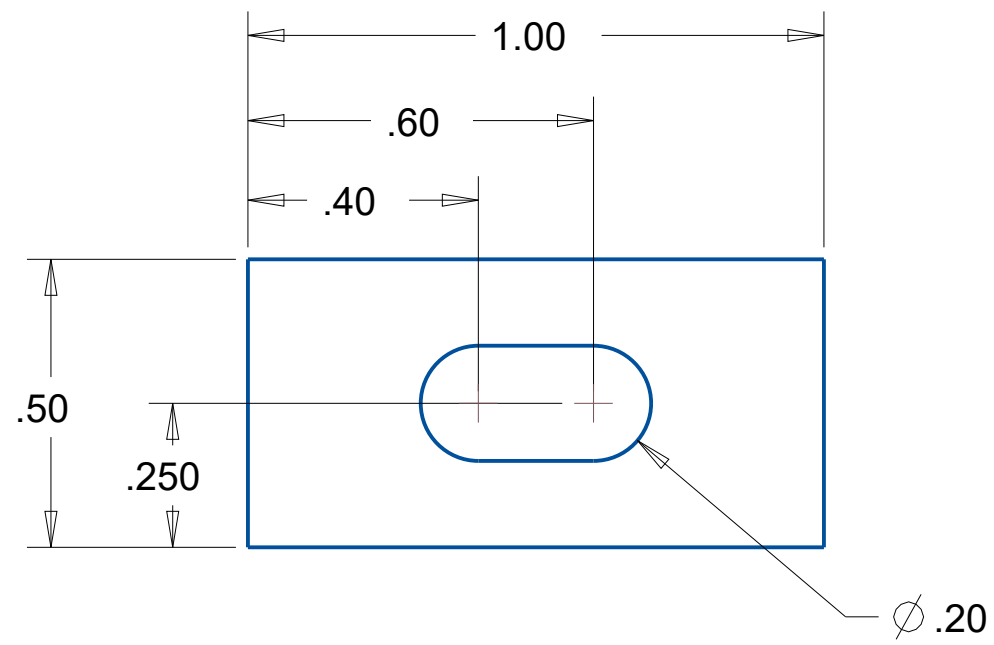
ITEM NO	PART NUMBER	QTY	DESCRIPTION	NOTES
1	92196A245_18-8_STAINLESS STEEL_	1	SS STEEL_	
2	92394A515	1	SS 10-32 THD INSERT	
3	93135A454_NYLON_PAN_HEAD_MACHIN	1	NYLON PAN HEAD MACHIN	
4	BASE	1	8.25 X 6 X .5 DELRIN	FABRICATED
5	LATCH	1		
6	WELL_PLATE_BOTTOM	1	5 X 3.25 X .8 POLYSTYRENE	CORNING
7	WELL_PLATE_TOP	1	5 X 3.25 X .8 POLYSTYRENE	CORNING







6061 ALUMINUM



6061 ALUMINUM

