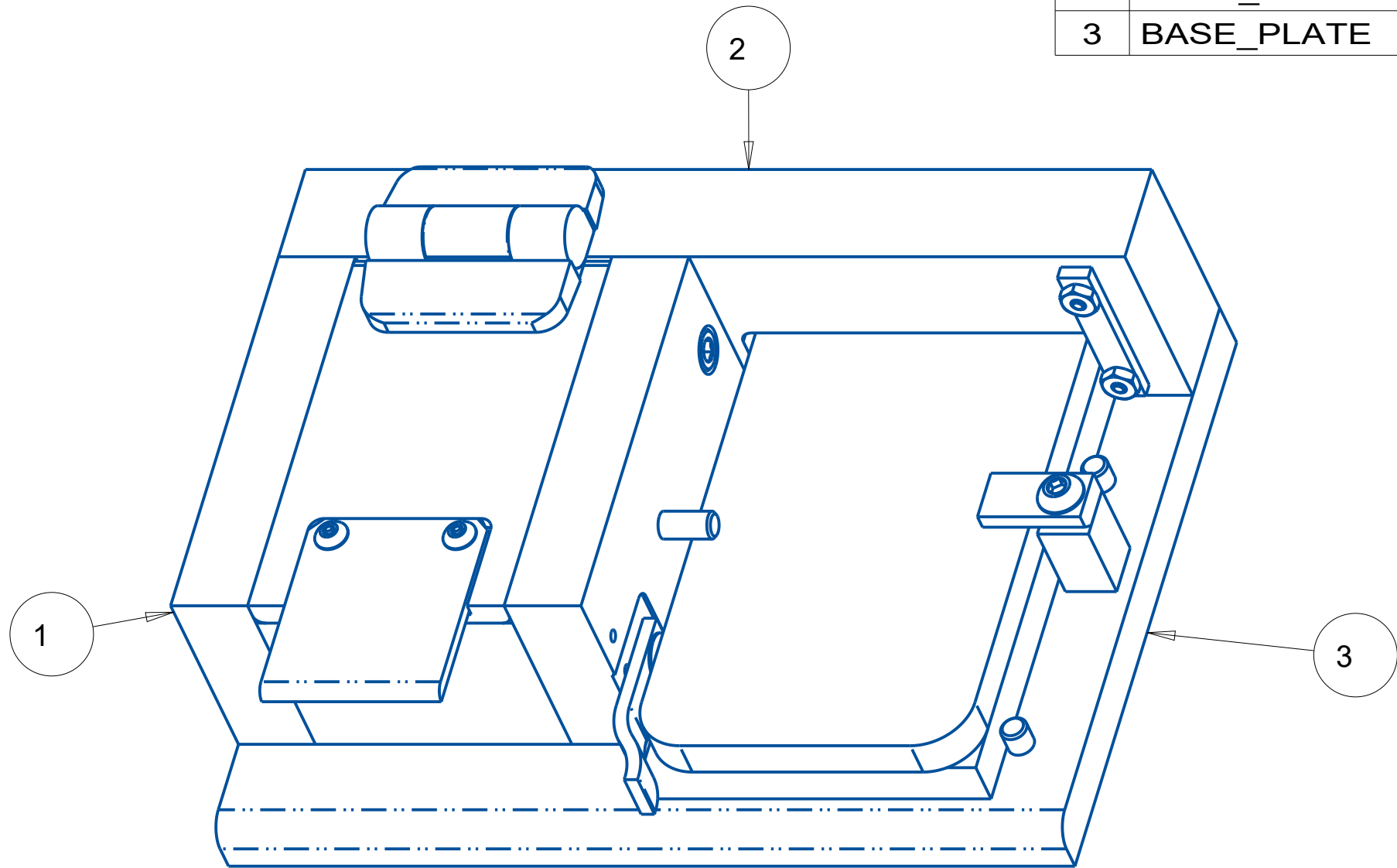
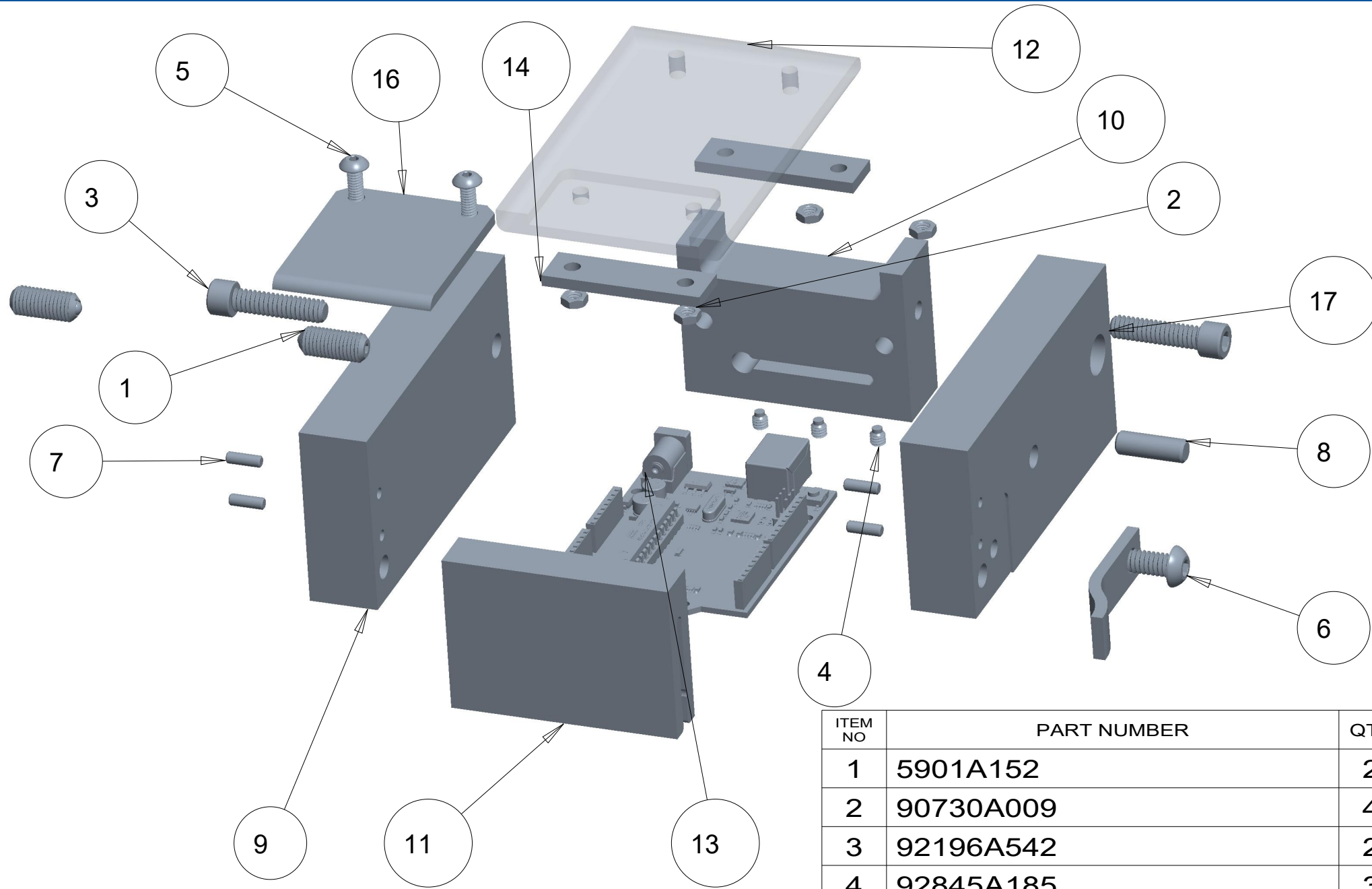


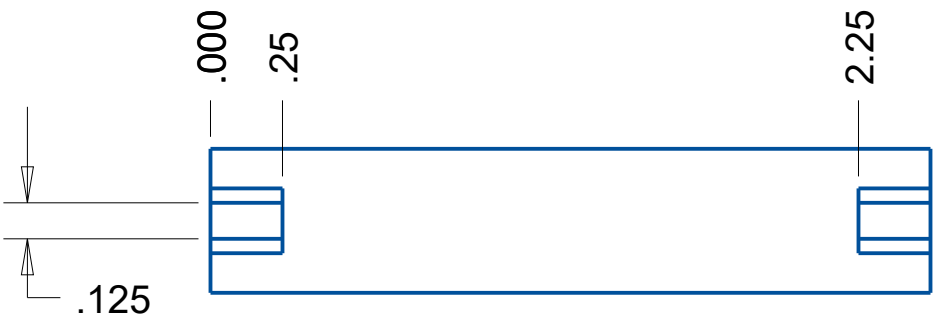
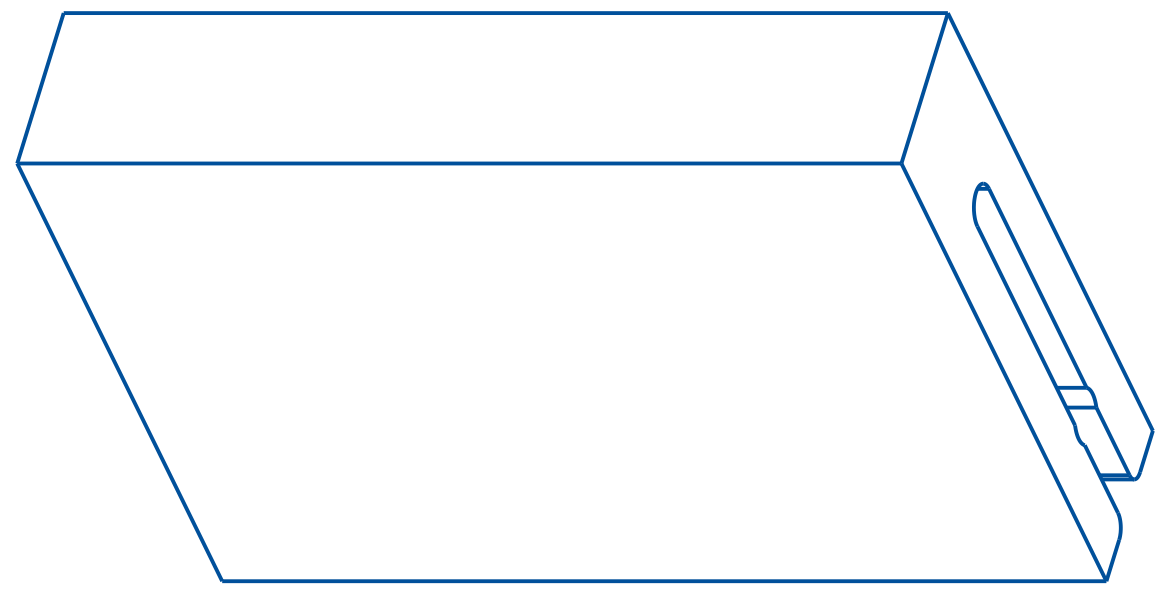
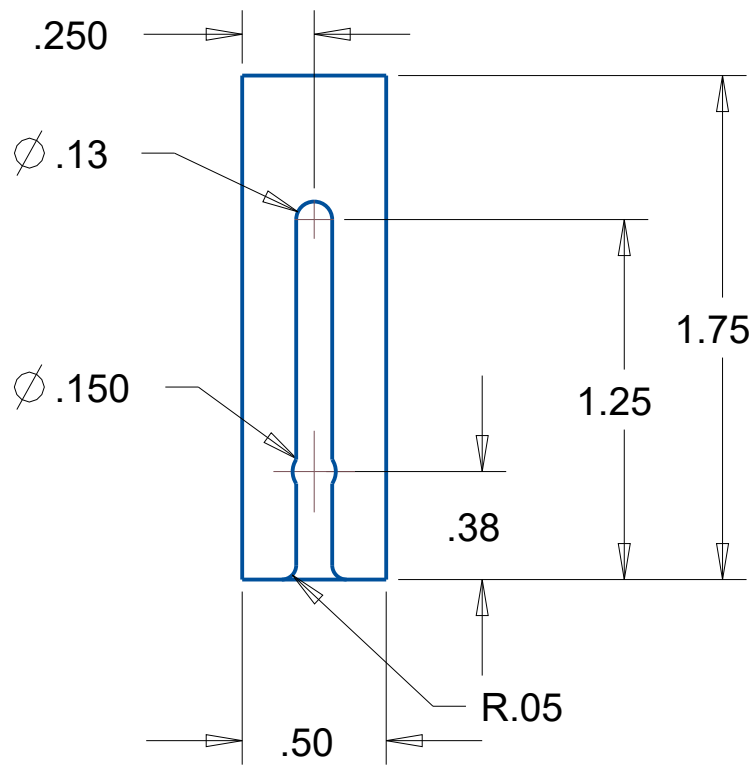
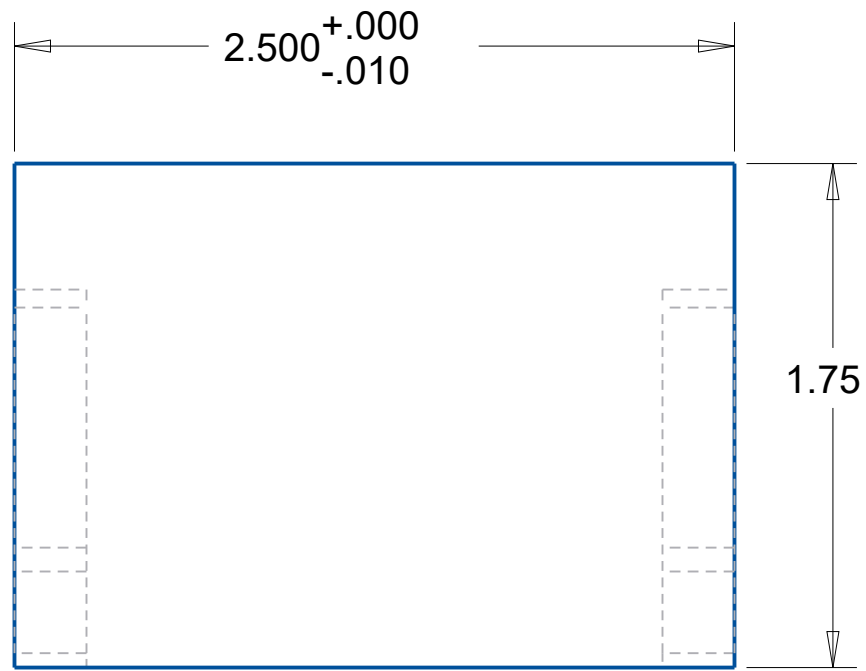
ITEM NO	PART NUMBER	QTY	DESCRIPTION	NOTES
1	ARDUINO_HOUSING	1	SEE BOM	
2	BACK_PLATE	1	SEE BOM	
3	BASE_PLATE	1	SEE BOM	

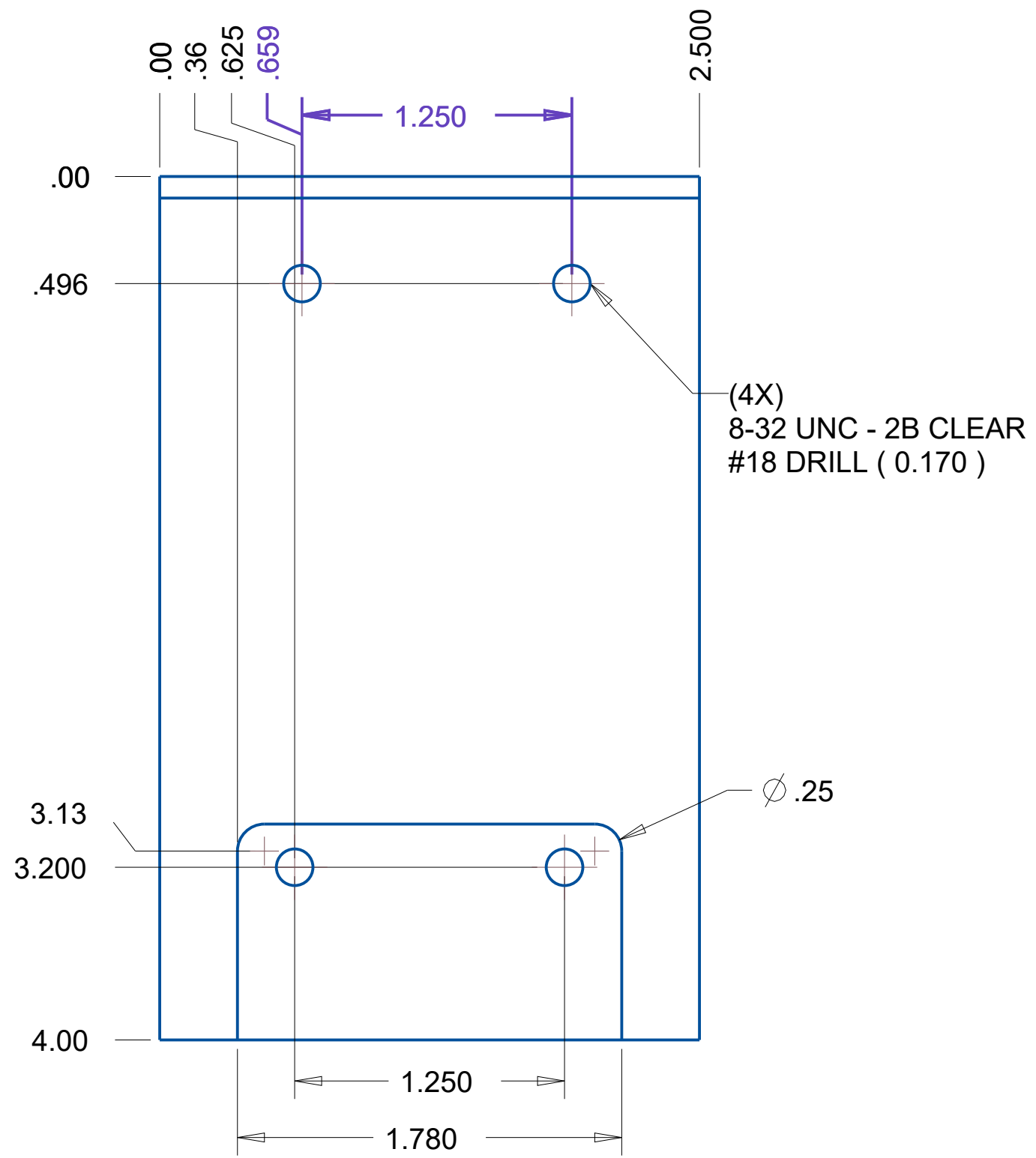


0.001	0.01	0.50	FINAL_DESIGN		
MSD 18082		Oct-02-17			
			FINAL_DESIGN		
			0.500	SEE BOM	1/16



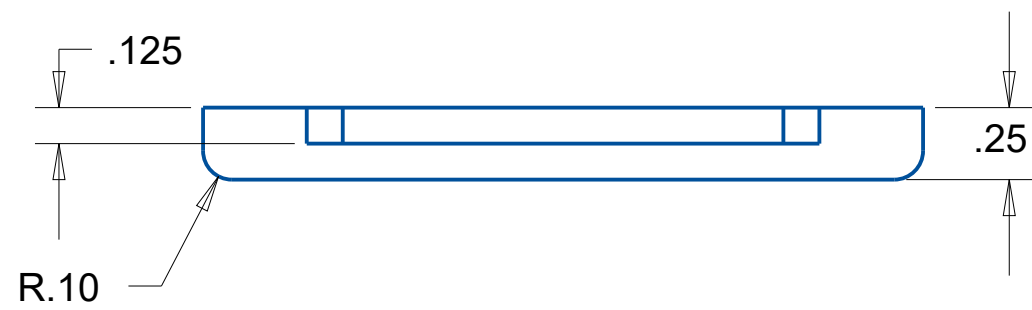
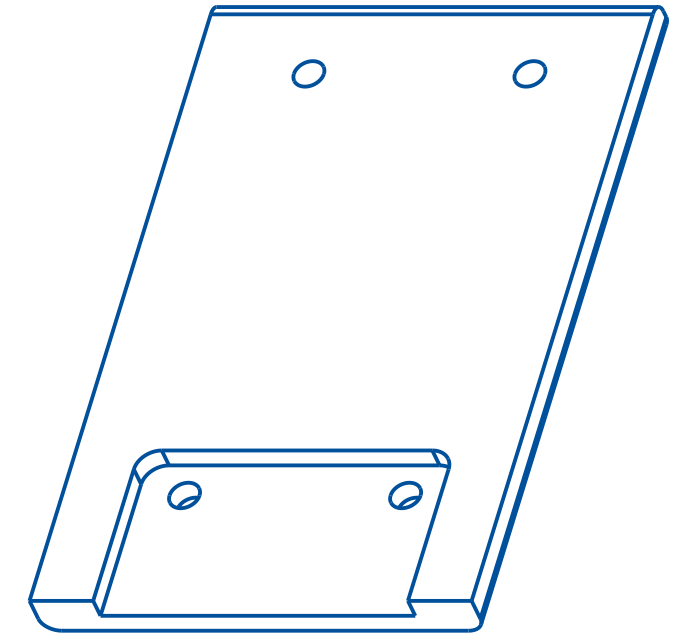
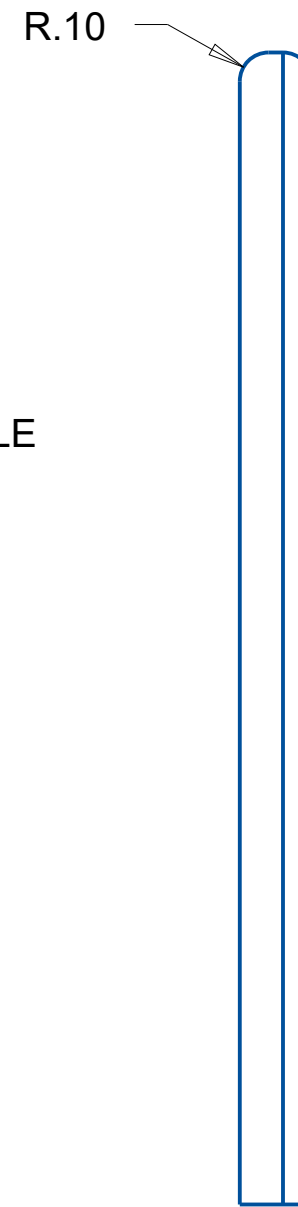
ITEM NO	PART NUMBER	QTY	DESCRIPTION	VENDOR
1	5901A152	2	5/16-18 BALL NOSE SPRING	MCMASTER CARR
2	90730A009	4	SS 8-32 THD HEX NUT	MCMASTER CARR
3	92196A542	2	SS 1/4-20 THD X 1 LG SHCS	MCMASTER CARR
4	92845A185	3	SS 8-32 THD SET SCREW	MCMASTER CARR
5	92949A194	2	SS 8-32 THD X .5 LG BHCS	MCMASTER CARR
6	92949A537	1	SS 1/4-20 THD X .5 LG BHCS	MCMASTER CARR
7	97395A435	4	SS 1/8 OD X 3/8 LG DP	MCMASTER CARR
8	97395A485	1	SS 1/4 OD X 3/4 LG DP	MCMASTER CARR
9	ARDUINO_HOUSING_SIDE	1	AA 6061 2 X 4 X .75	FABRICATED
10	ARDUINO_HOUSING_BACK	1	AA 6061 1.75 X 2.5 X .75	FABRICATED
11	ARDUINO_HOUSING_FRONT	1	AA 6061 1.75 X 2.5 X .5	FABRICATED
12	ARDUINO_HOUSING_TOP	1	POLYCARB 4 X 2.5 X .25	FABRICATED
13	ARDUINO_UNO	1	R3 MICROCONTROLLER	ARDUINO
14	HINGE_PLATE	2	AA 6061 1.5 X .75 X .125	FABRICATED
15	LEAF_SPRING	1	AA 6061 2 X .5 X .13	FABRICATED
16	LIFT_TAB	1	AA 6061 2 X 1.75 X .125	FABRICATED
17	RESTRAINING_WALL	1	AA 6061 2 X 4 X .75	FABRICATED

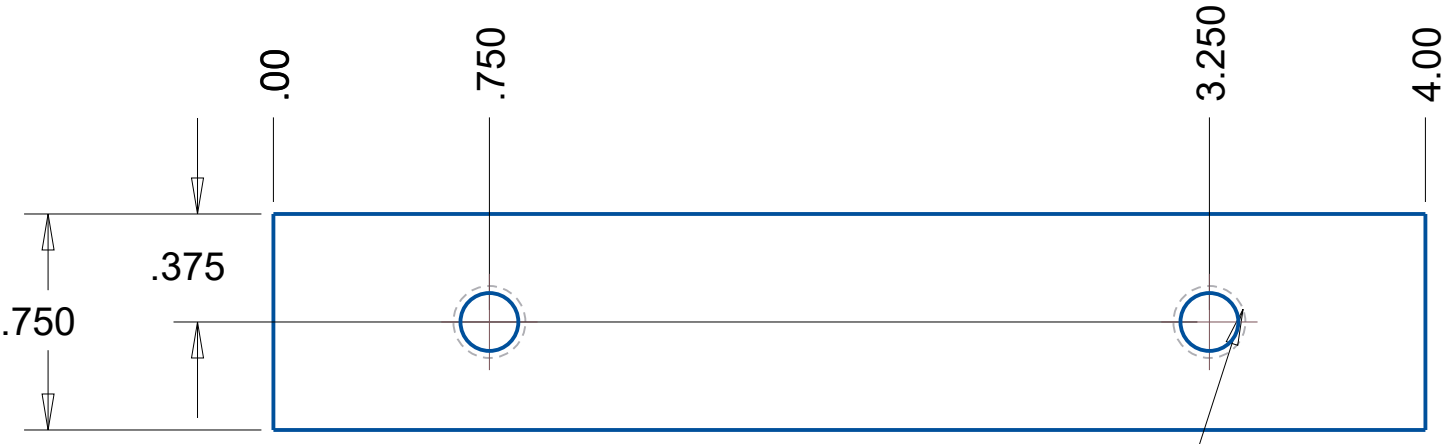




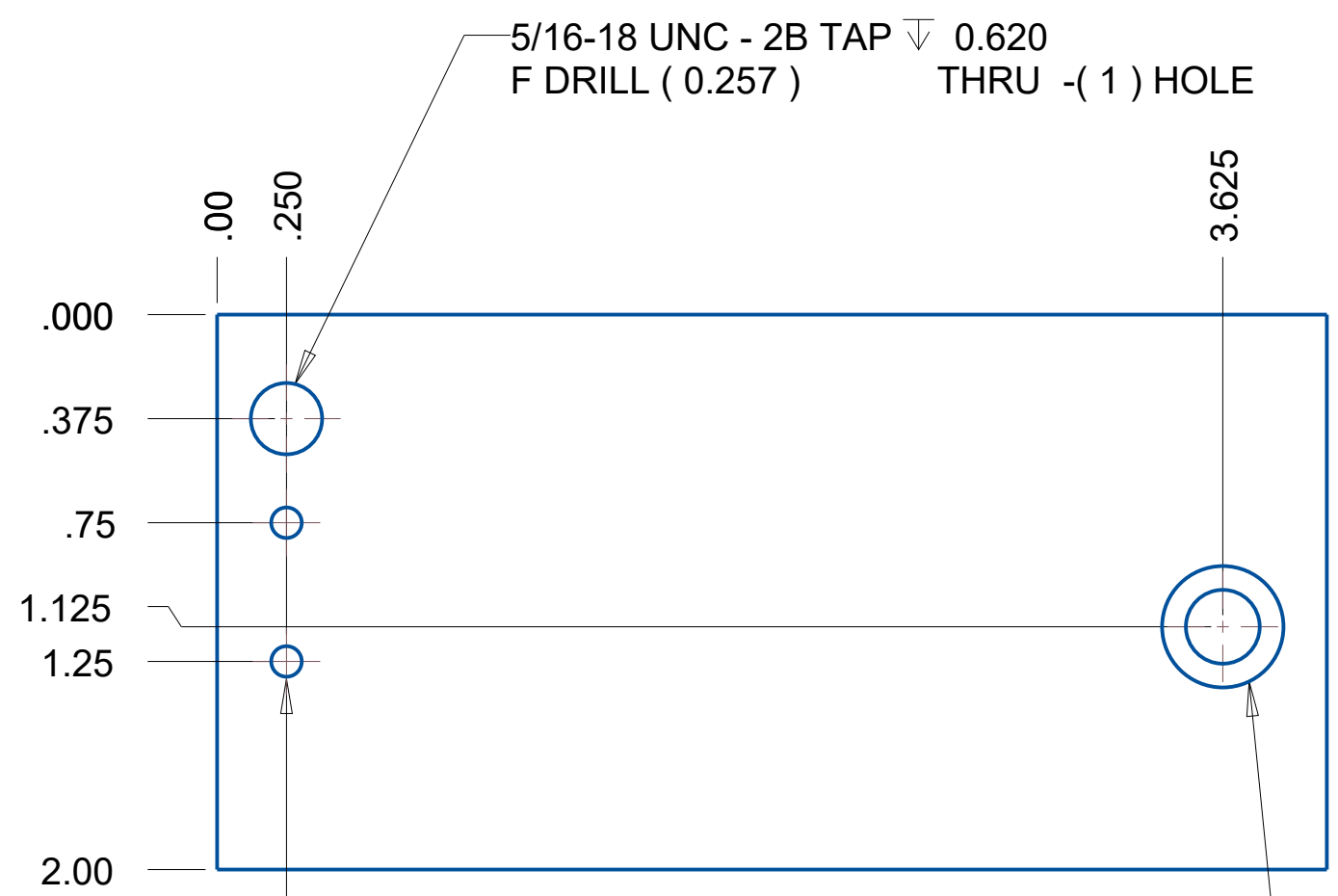
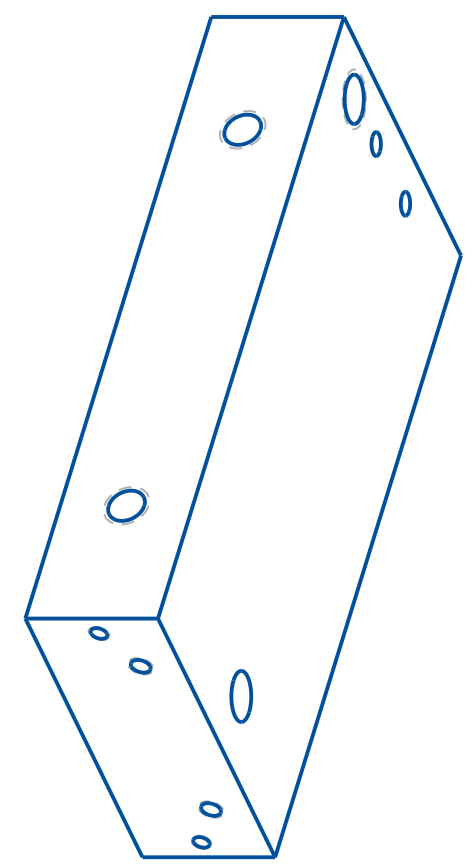
(4X)
 8-32 UNC - 2B CLEAR
 #18 DRILL (0.170)

THRU -(2) HOLE





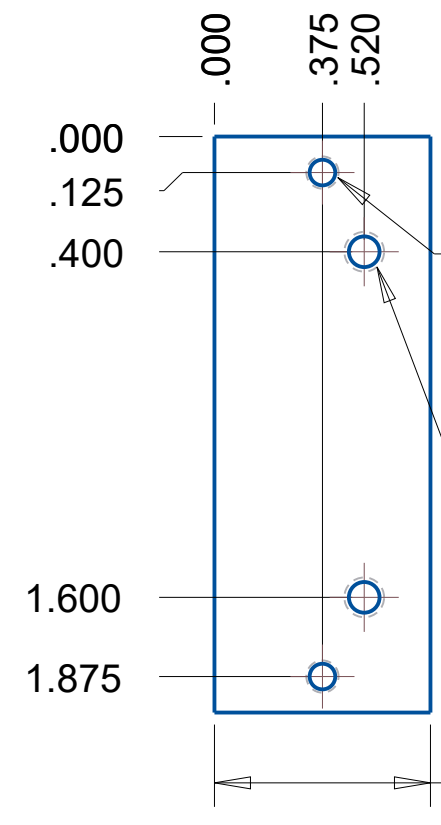
(2X)
 1/4-20 UNC - 2B TAP ∇ 0.480
 #7 DRILL (0.201) ∇ 0.600 -(1) HOLE



5/16-18 UNC - 2B TAP ∇ 0.620
 F DRILL (0.257) THRU -(1) HOLE

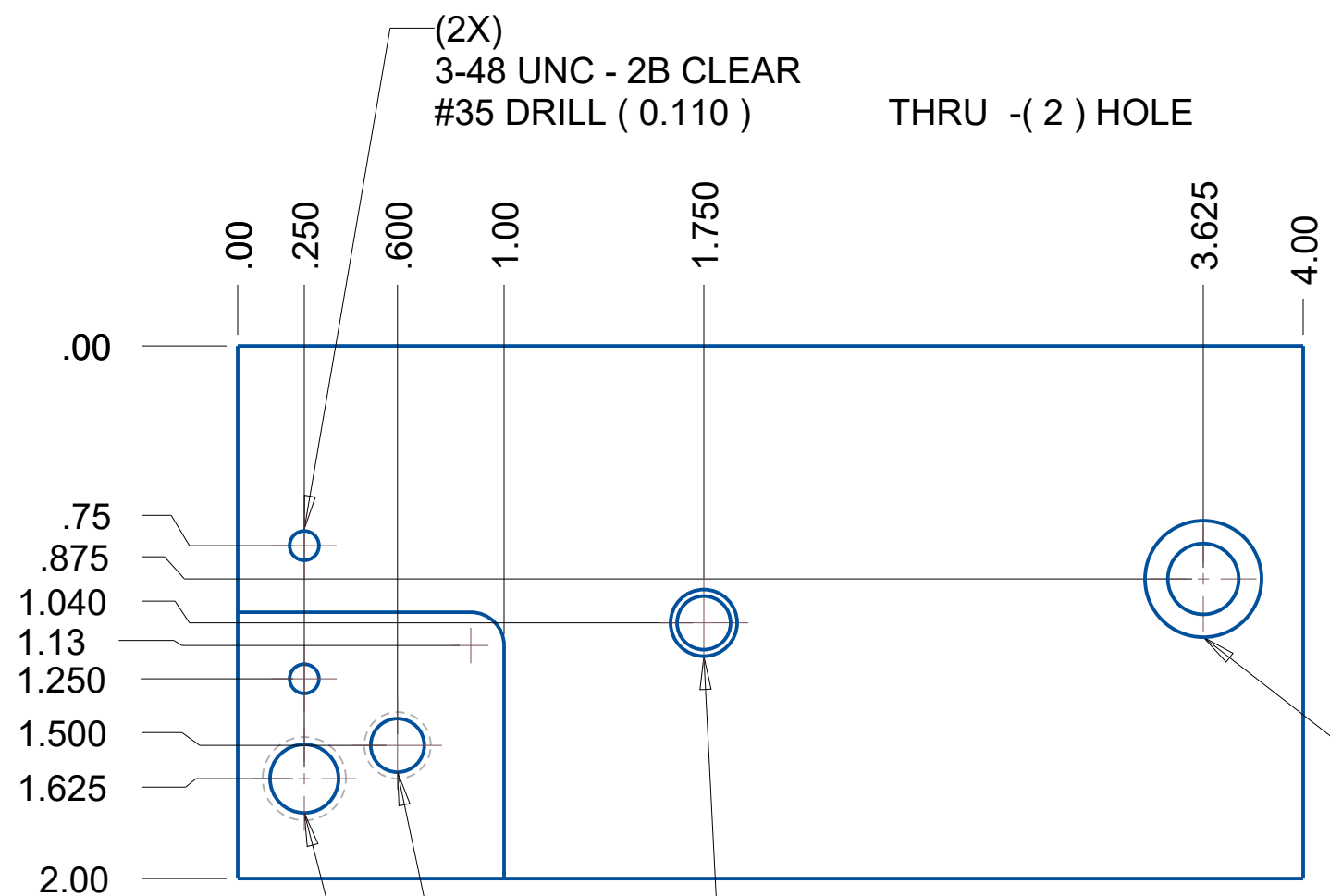
(2X)
 3-48 UNC - 2B CLEAR
 #35 DRILL (0.110) THRU -(2) HOLE

1/4-20 UNC - 2B CLEAR
 H DRILL (0.266) THRU -(1) HOLE



4-40 UNC - 2B TAP ∇ 0.210
 #43 DRILL (0.089) ∇ 0.270 -(1) HOLE
 6-32 UNC - 2B TAP ∇ 0.260
 #36 DRILL (0.107) ∇ 0.320 -(2) HOLE

.750 $\begin{matrix} +.000 \\ -.010 \end{matrix}$



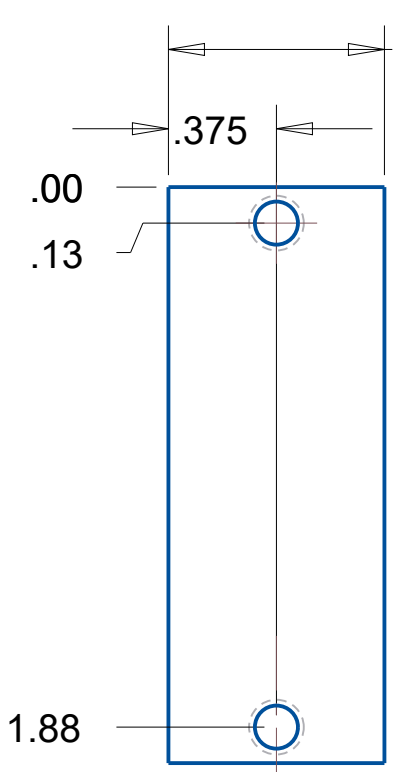
(2X)
3-48 UNC - 2B CLEAR
#35 DRILL (0.110)

THRU -(2) HOLE

1/4-20 UNC - 2B Drill
#7 DRILL (0.201) THRU -(1) HOLE

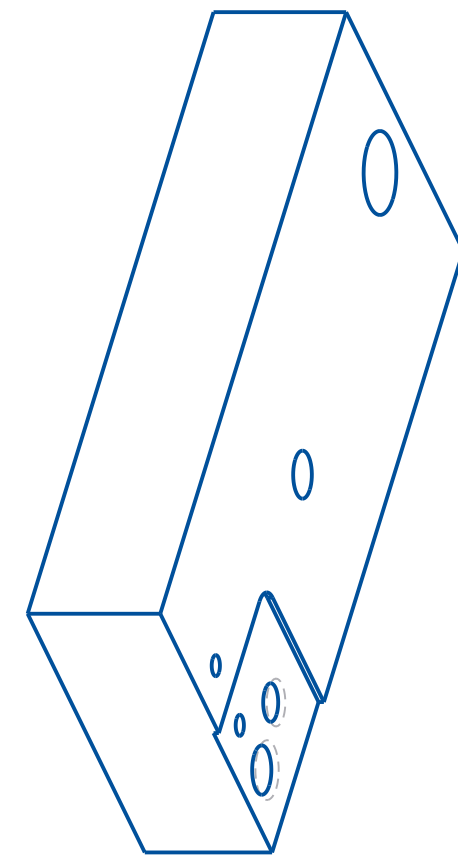
1/4-20 UNC - 2B TAP
#7 DRILL (0.201) THRU -(1) HOLE 0.480

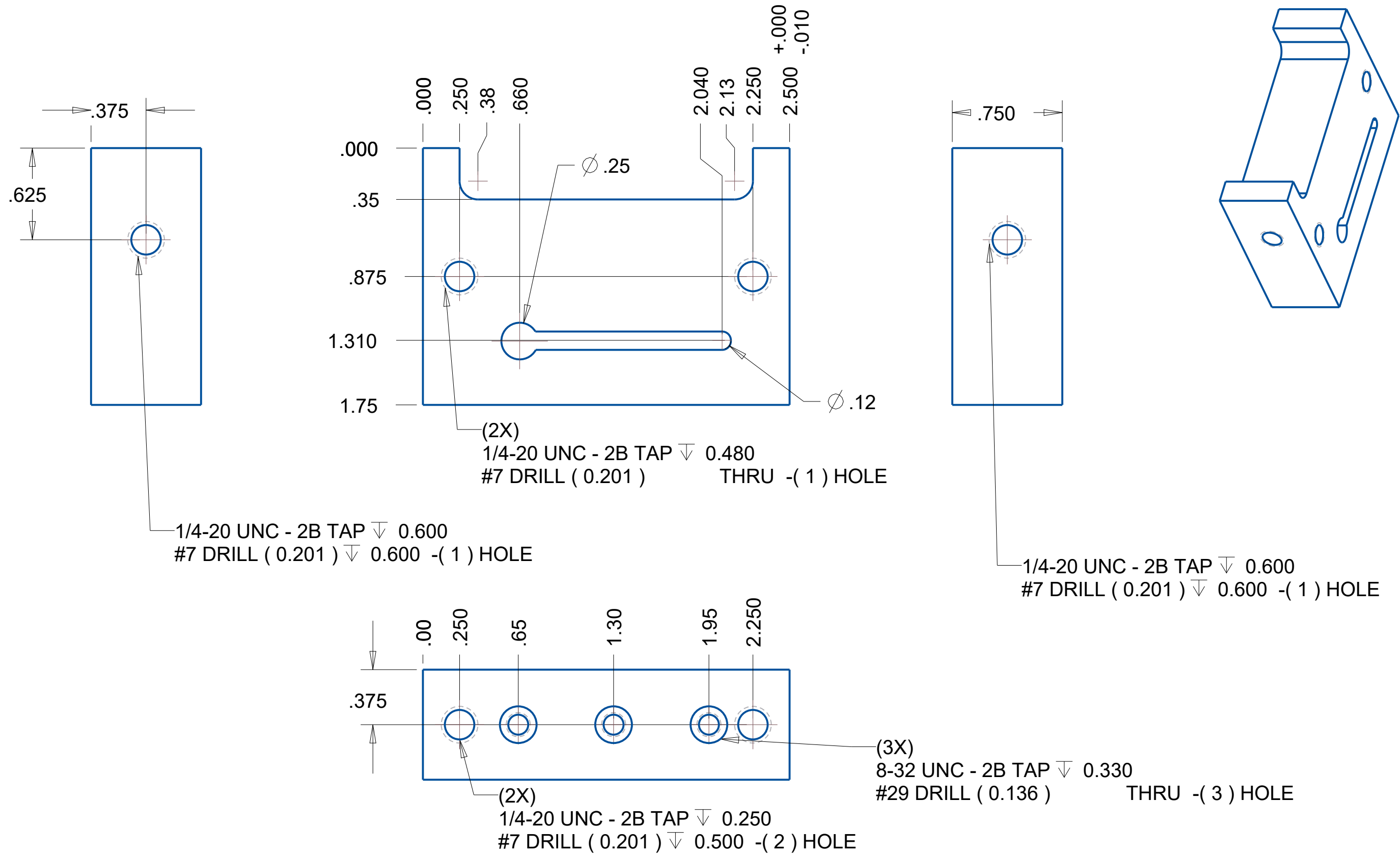
5/16-18 UNC - 2B TAP
F DRILL (0.257) THRU -(1) HOLE 0.620

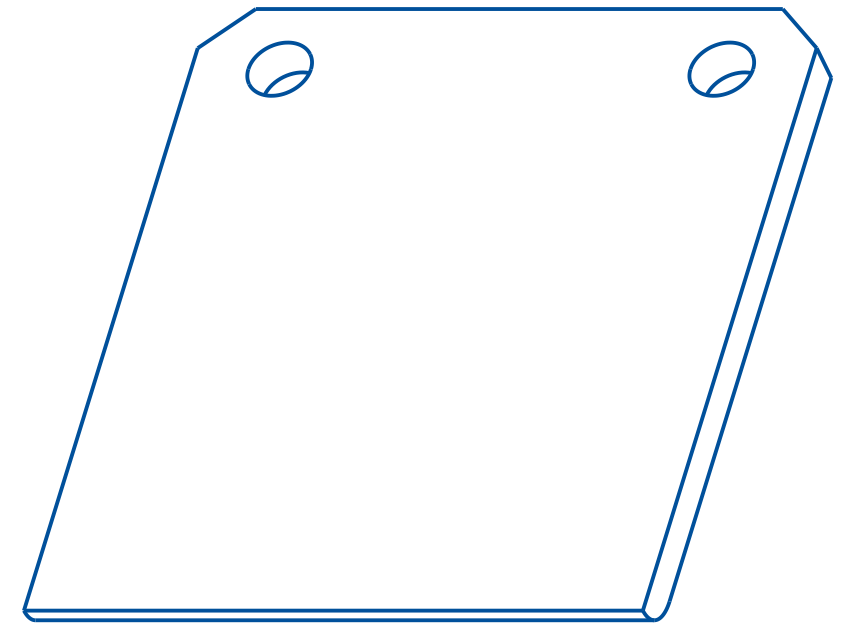
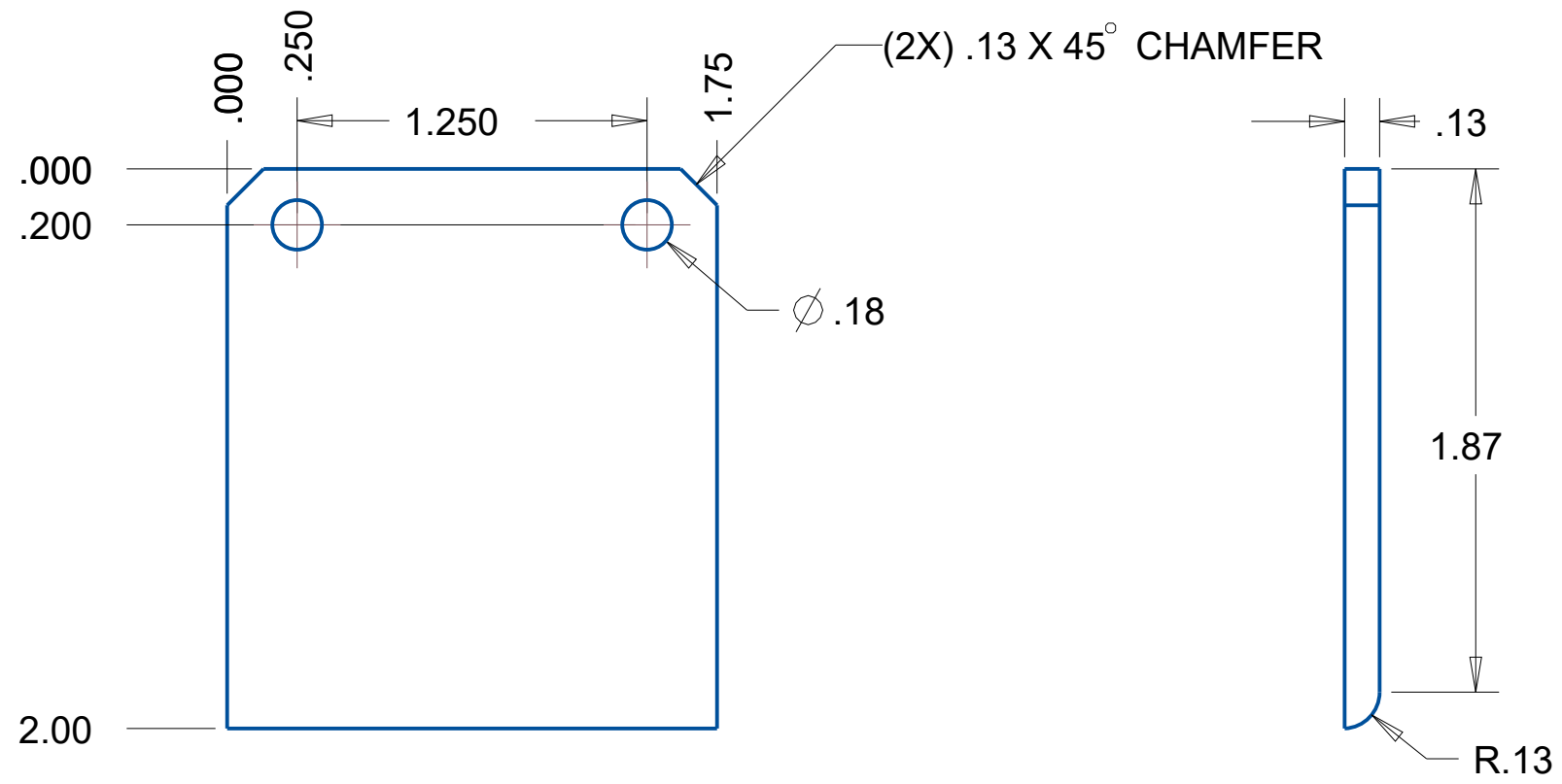


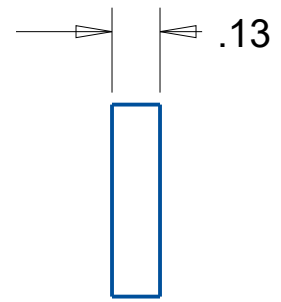
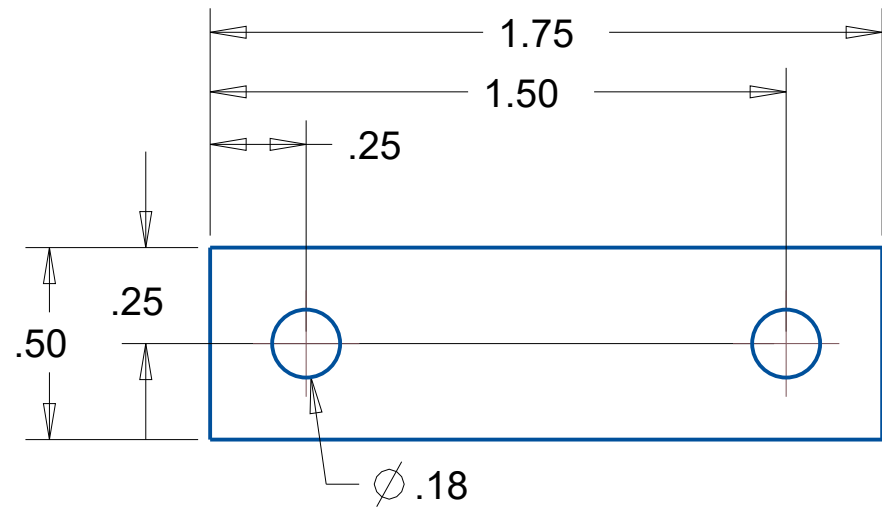
.750^{+0.000}
-0.010

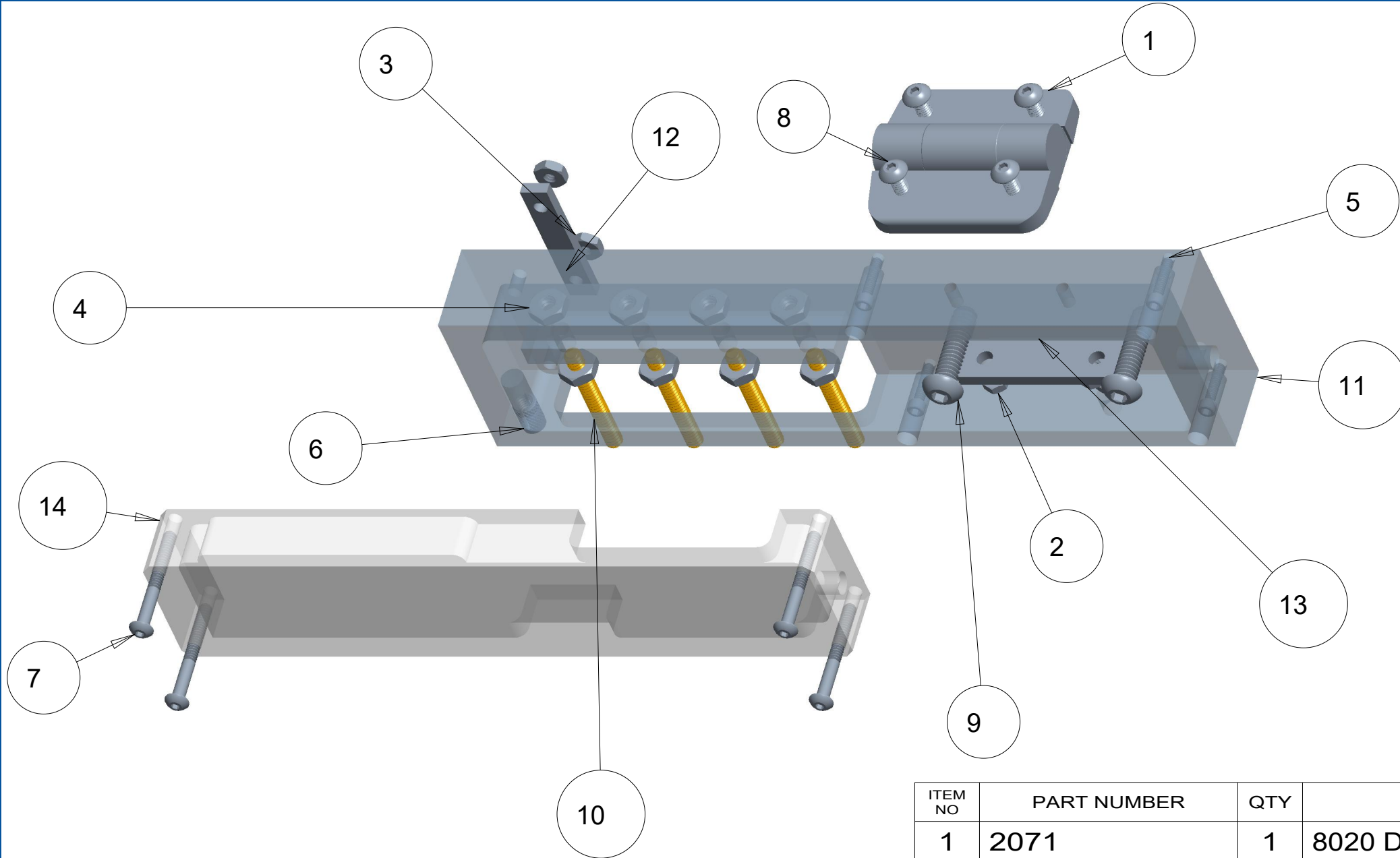
1/4-20 UNC - 2B CLEAR
H DRILL (0.266) THRU -(1) HOLE



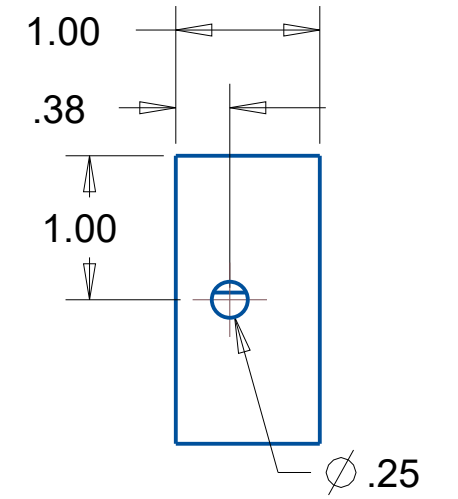
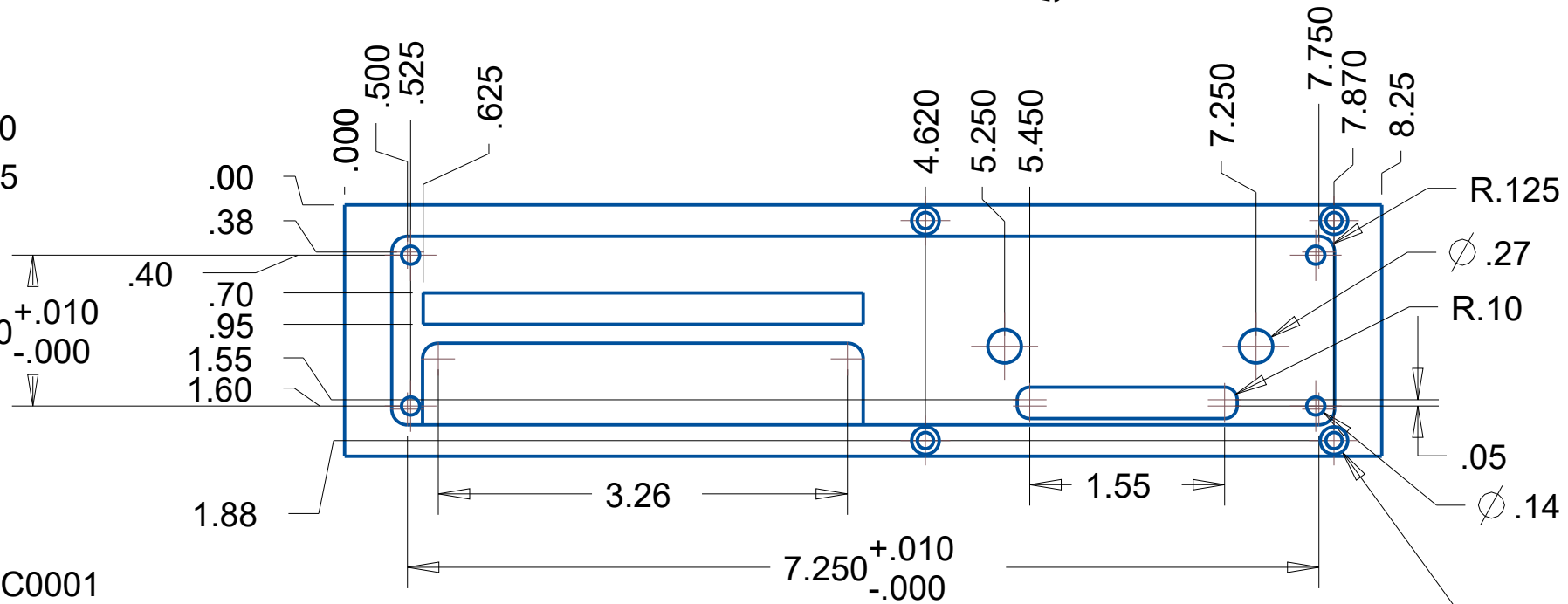
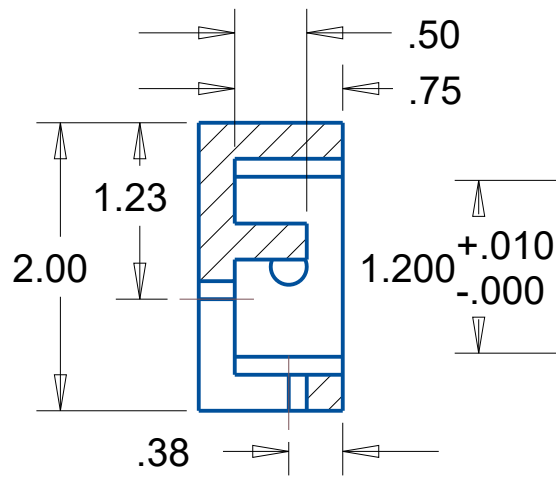
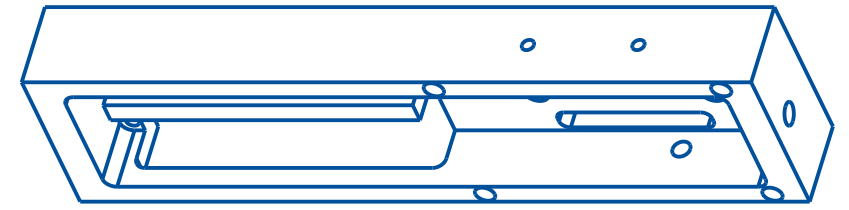
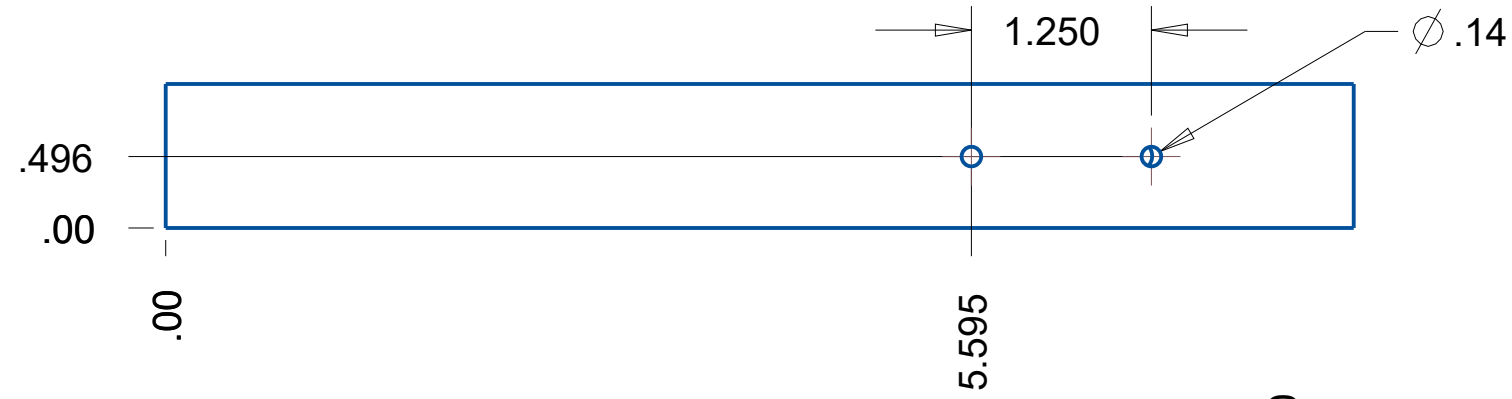






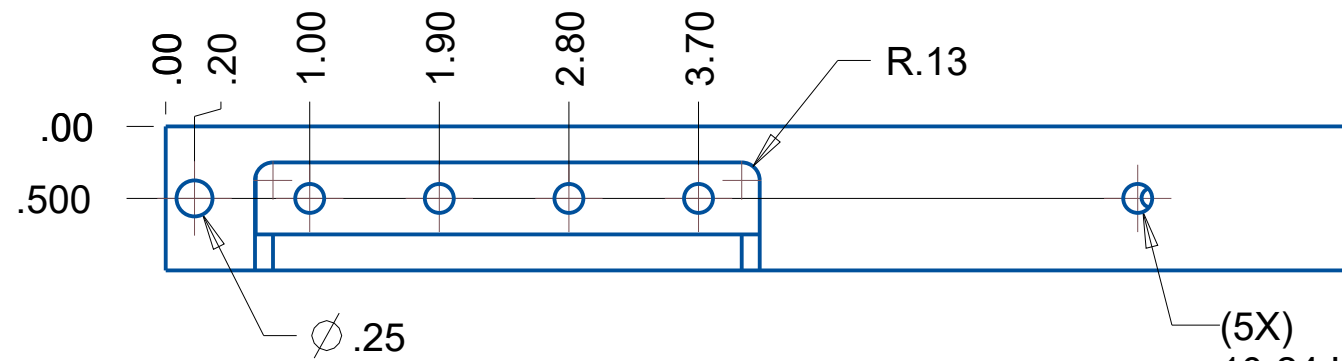


ITEM NO	PART NUMBER	QTY	DESCRIPTION	VENDOR
1	2071	1	8020 DETENT HINGE	8020 INC.
2	90730A009	2	SS 8-32 THD HEX NUT	MCMASTER CARR
3	91841A007	2	SS 6-32 THD HEX NUT	MCMASTER CARR
4	91841A011	9	SS 10-24 THD HEX NUT	MCMASTER CARR
5	92196A110	4	SS 4-40 THD X .5 LG SHCS	MCMASTER CARR
6	92394A515	1	SS 10-32 THD INSERT	MCMASTER CARR
7	92949A160	4	SS 10-24 THD HEX NUT	MCMASTER CARR
8	92949A196	4	SS 8-32 THD X 5/8 LG BHCS	MCMASTER CARR
9	92949A542	2	SS 1/4-20 THD X 1 LG BHCS	MCMASTER CARR
10	93025A763	4	10-24 THD X 1.5 LG BRASS ROD	MCMASTER CARR
11	BACK	1	8.25 X 2 X 1 DELRIN	FABRICATED
12	BACK_PLATE	1	1.7 X .3 X .125 AA 6061	FABRICATED
13	HINGE_PLATE	1	1.5 X .75 X .125 AA 6061	FABRICATED
14	WIRE_PLATE	1	7.5 X 1.5 X .75 DELRIN	FABRICATED

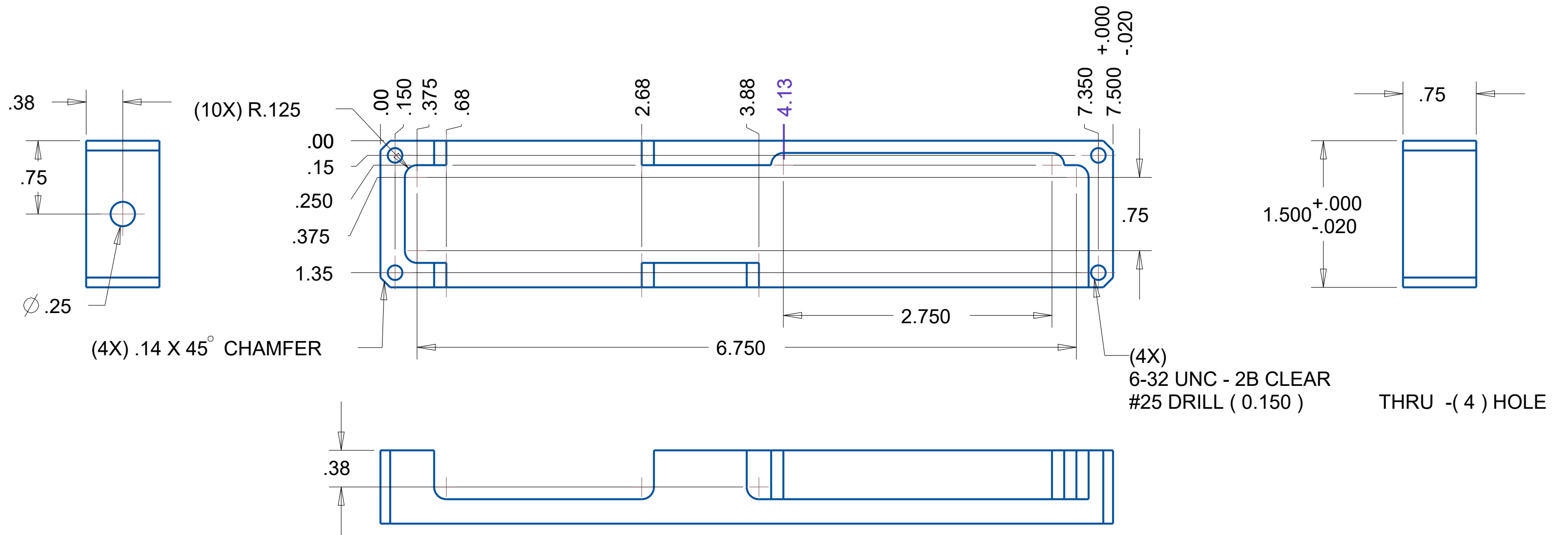
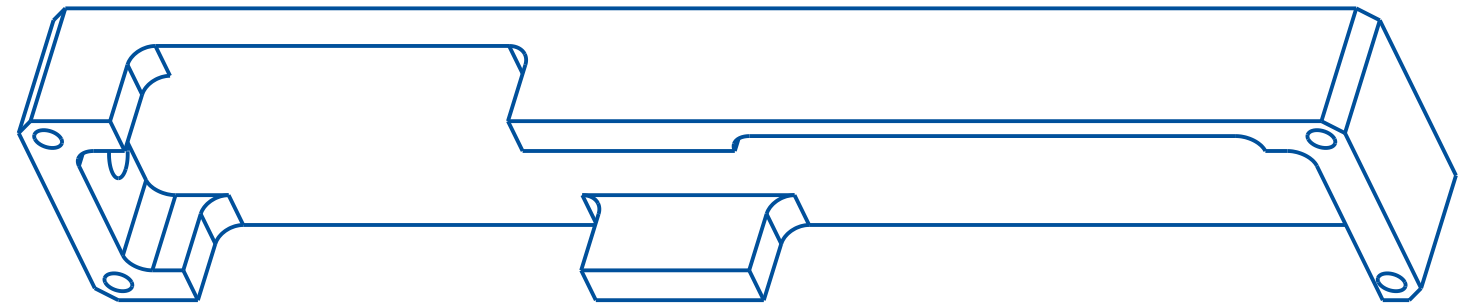


SECTION XSEC0001-XSEC0001

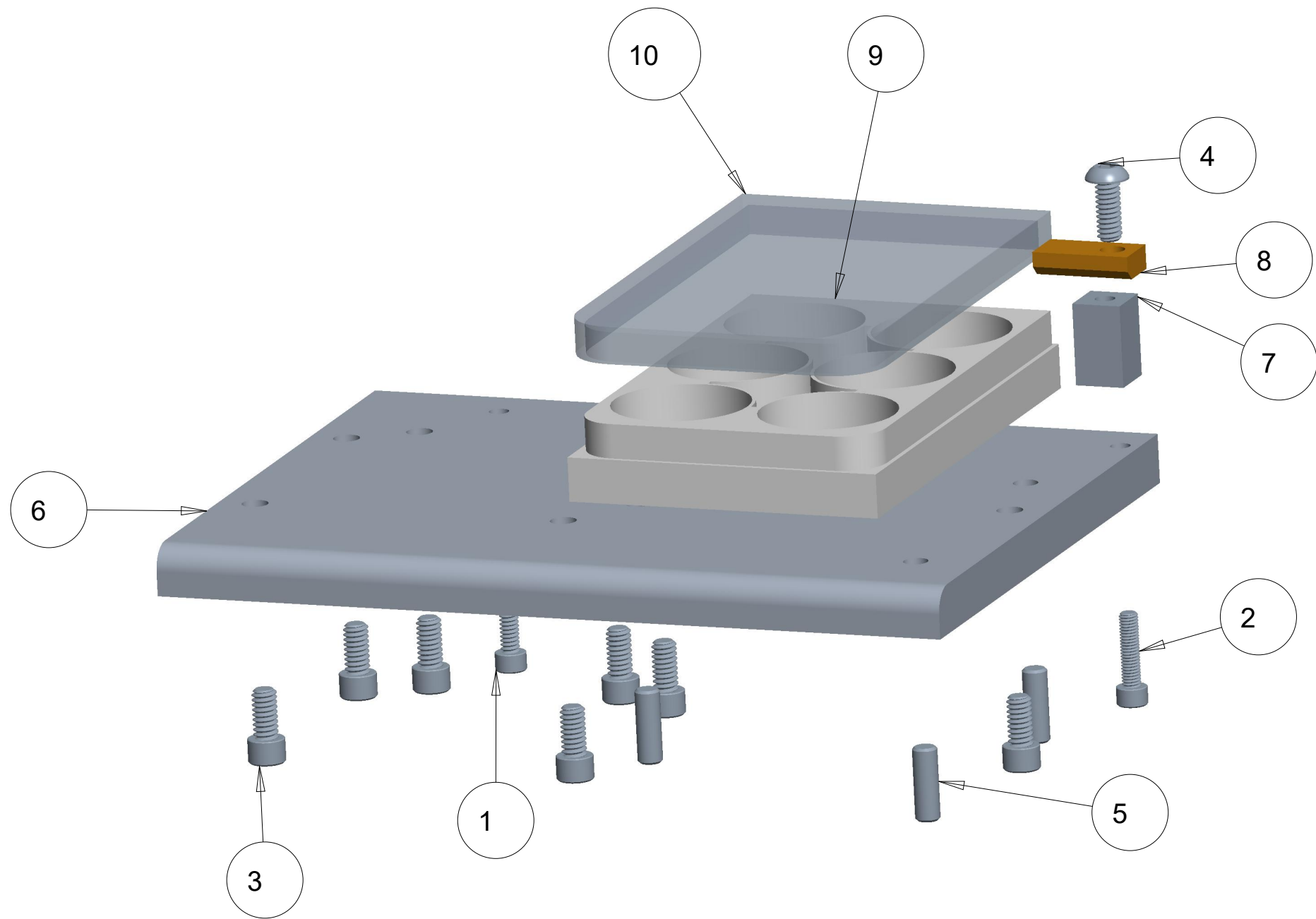
(4X)
4-40 UNC - 2B CLEAR
#30 DRILL (0.129) THRU -(4) HOLE

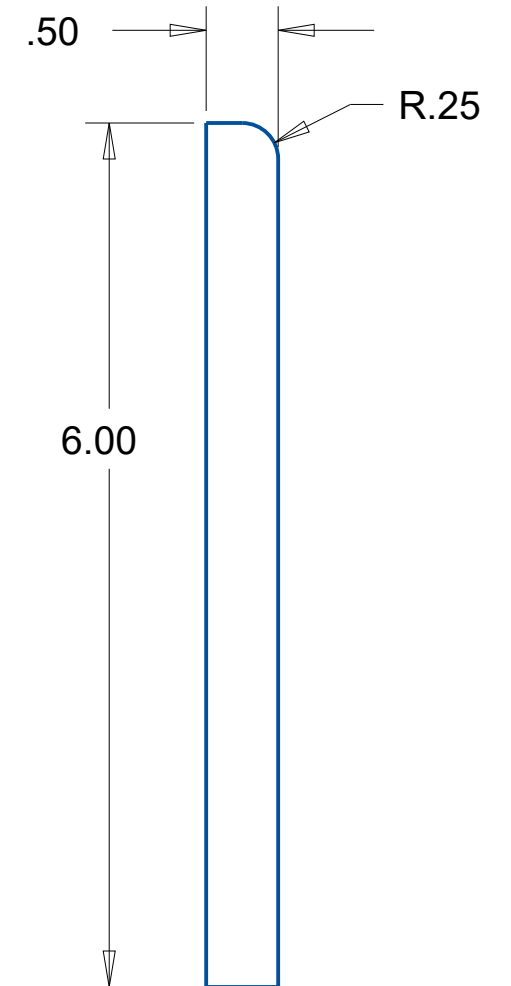
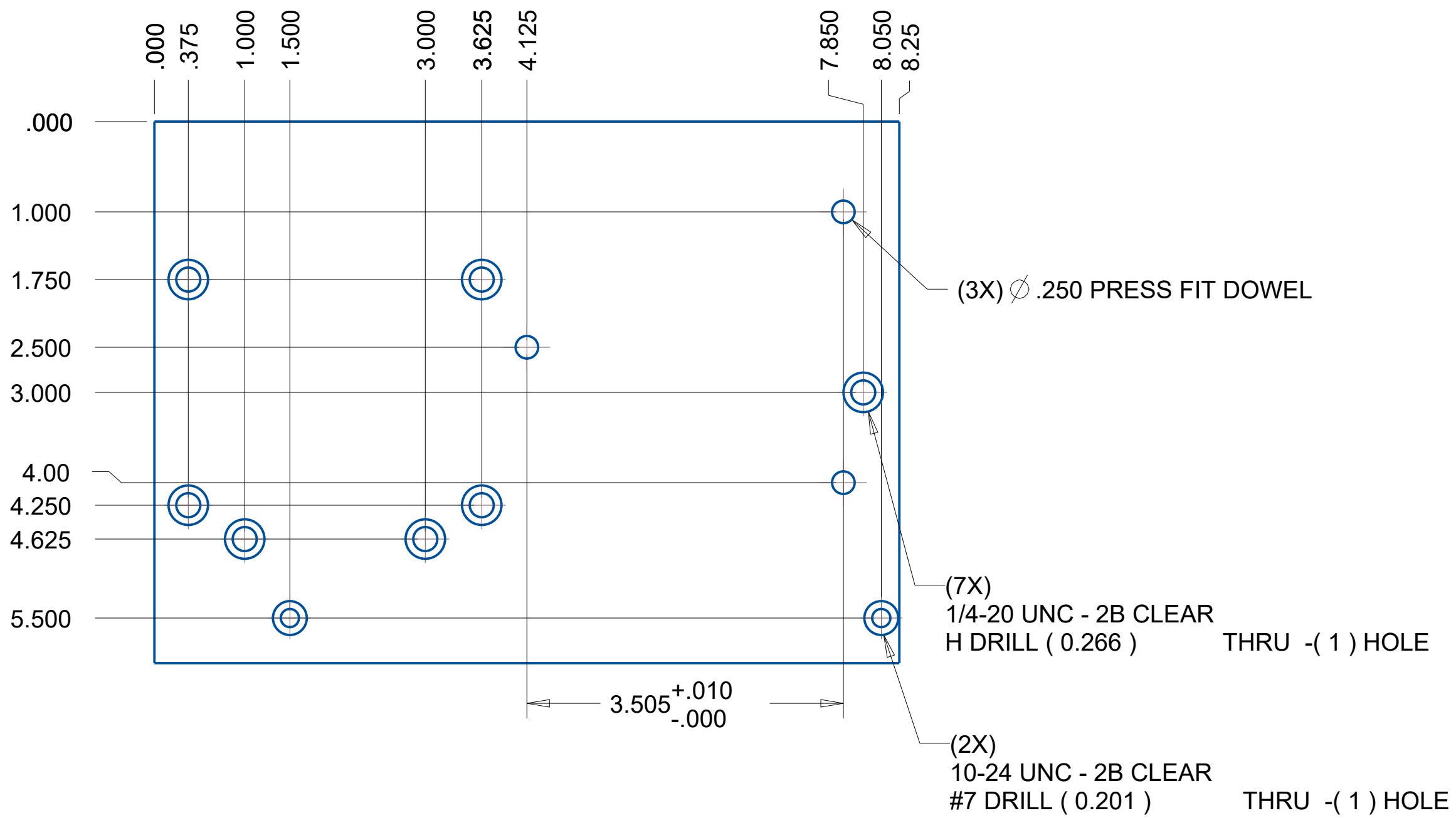
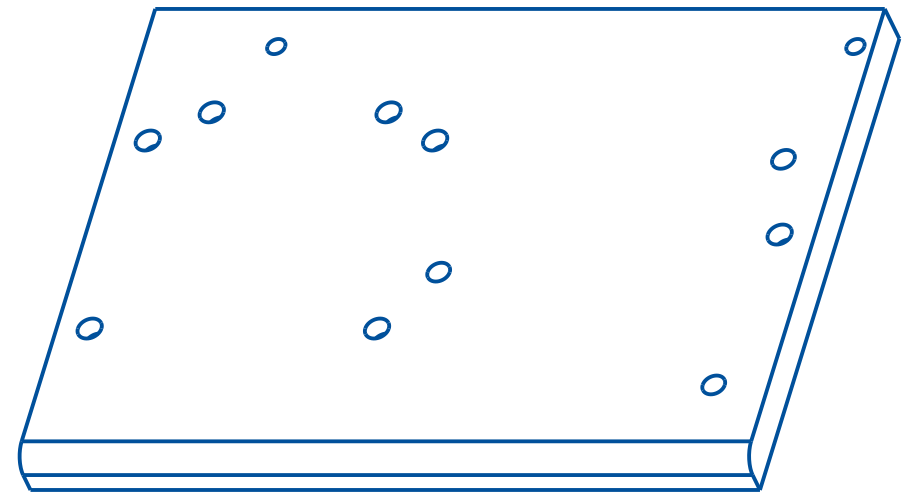


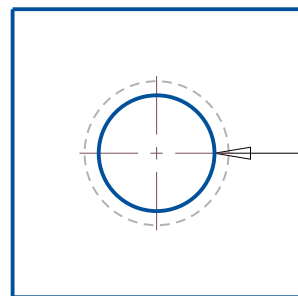
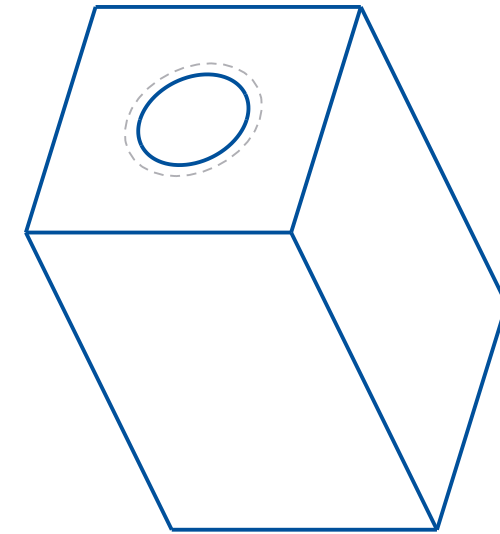
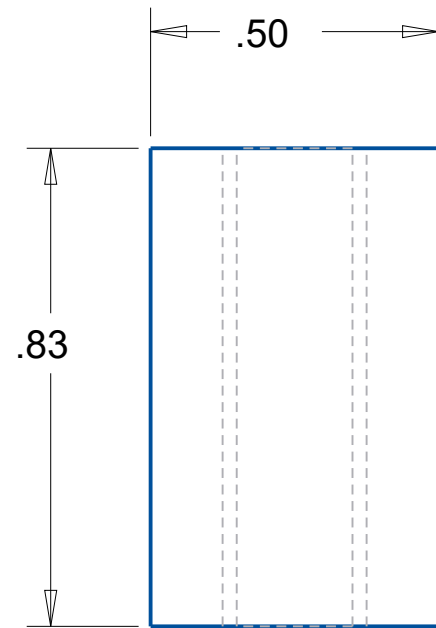
(5X)
10-24 UNC - 2B CLEAR
#7 DRILL (0.201) THRU -(1) HOLE



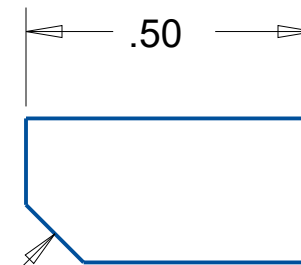
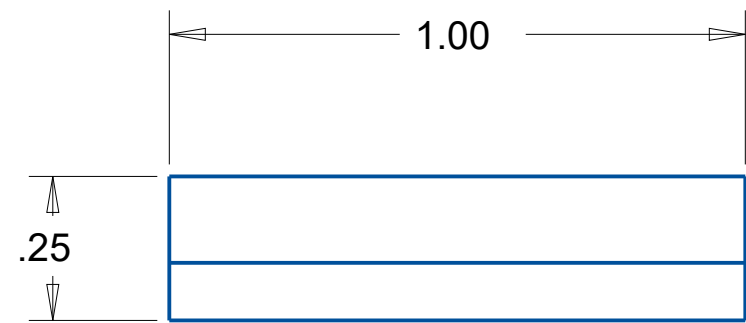
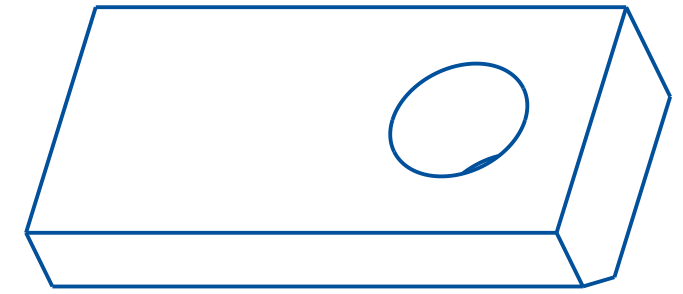
ITEM NO	PART NUMBER	QTY	DESCRIPTION	NOTES
1	92196A247	1	SS 10-24 THD X 1 LG SHCS	MCMASTER CARR
2	92196A272	1	SS 10-32 THD X 3/4 LG SHCS	MCMASTER CARR
3	92196A537	7	SS 10-24 THD X 1 LG SHCS	MCMASTER CARR
4	92949A539	1	SS 1/4-20 THD X 5/8 LG BHCS	MCMASTER CARR
5	97395A485	3	SS 1/4 OD X 3/4 LG DP	MCMASTER CARR
6	BASE	1	8.25 X 6 X .5 DELRIN	FABRICATED
7	RESTRAINING_WALL_2	1	.83 X .5 X .5 AA 6061	FABRICATED
8	UPPER_WELL_SHIELD	1	1 X .5 X .25 DELRIN	FABRICATED
9	WELL_PLATE_BOTTOM	1	5 X 3.25 X .8 POLYSTYRENE	CORNING
10	WELL_PLATE_TOP	1	5 X 3.25 X .8 POLYSTYRENE	CORNING



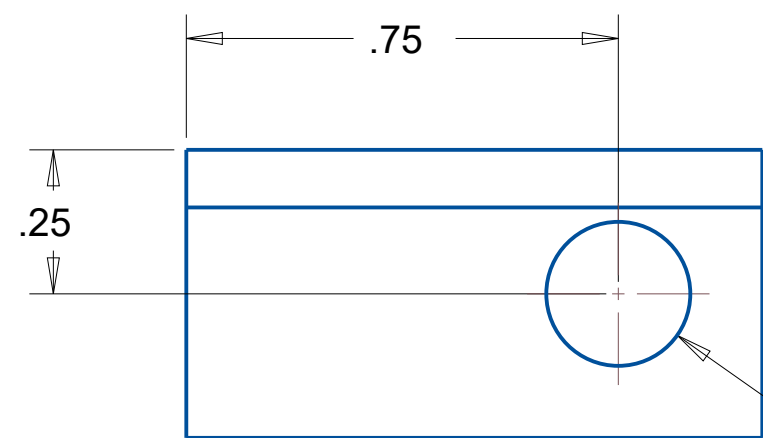
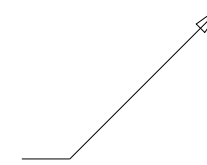




1/4-20 UNC - 2B TAP ∇ 0.830
#7 DRILL (0.201) THRU -(1) HOLE



.10 X 45° CHAMFER



Ø .25

