
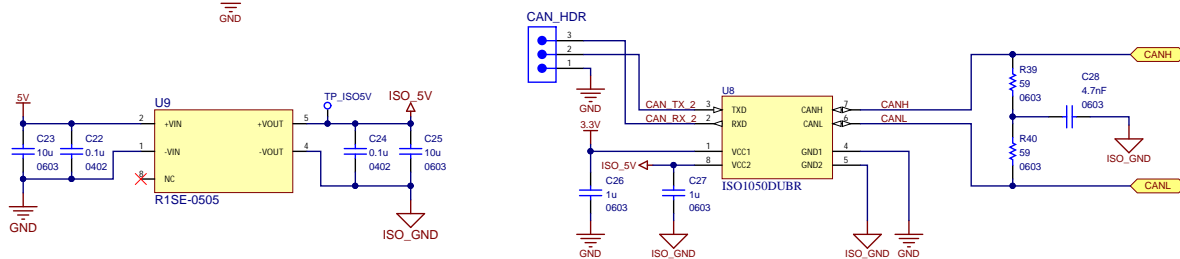
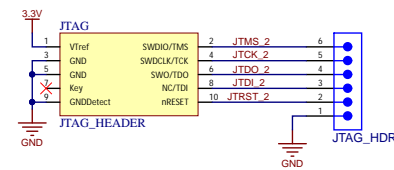
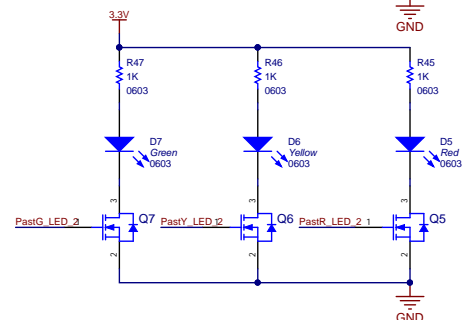
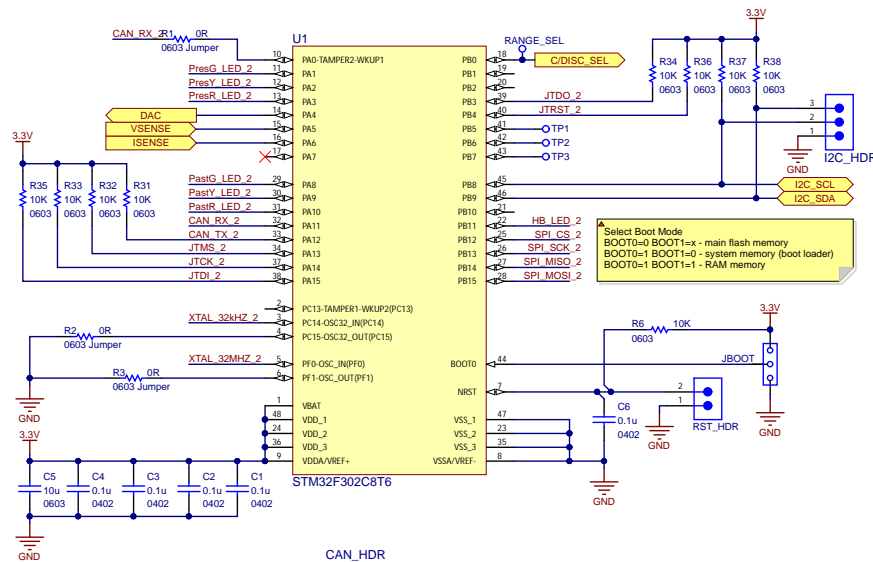
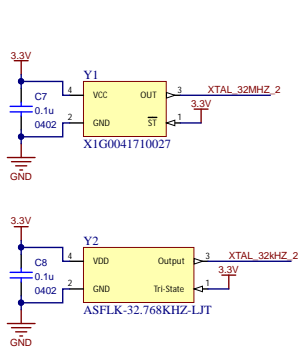
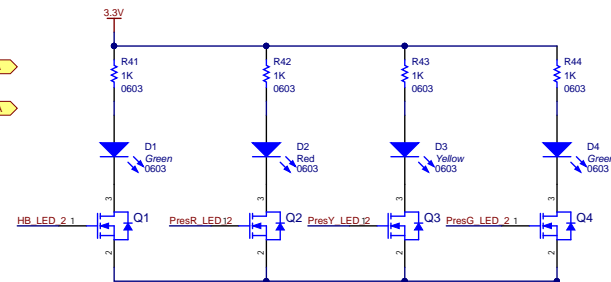
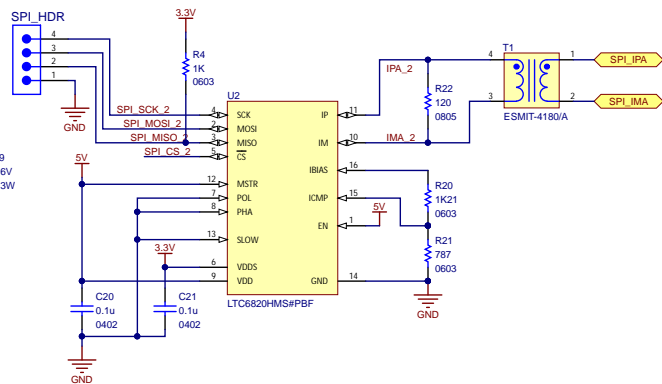
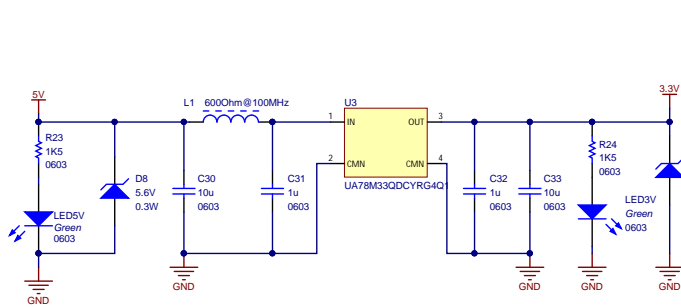
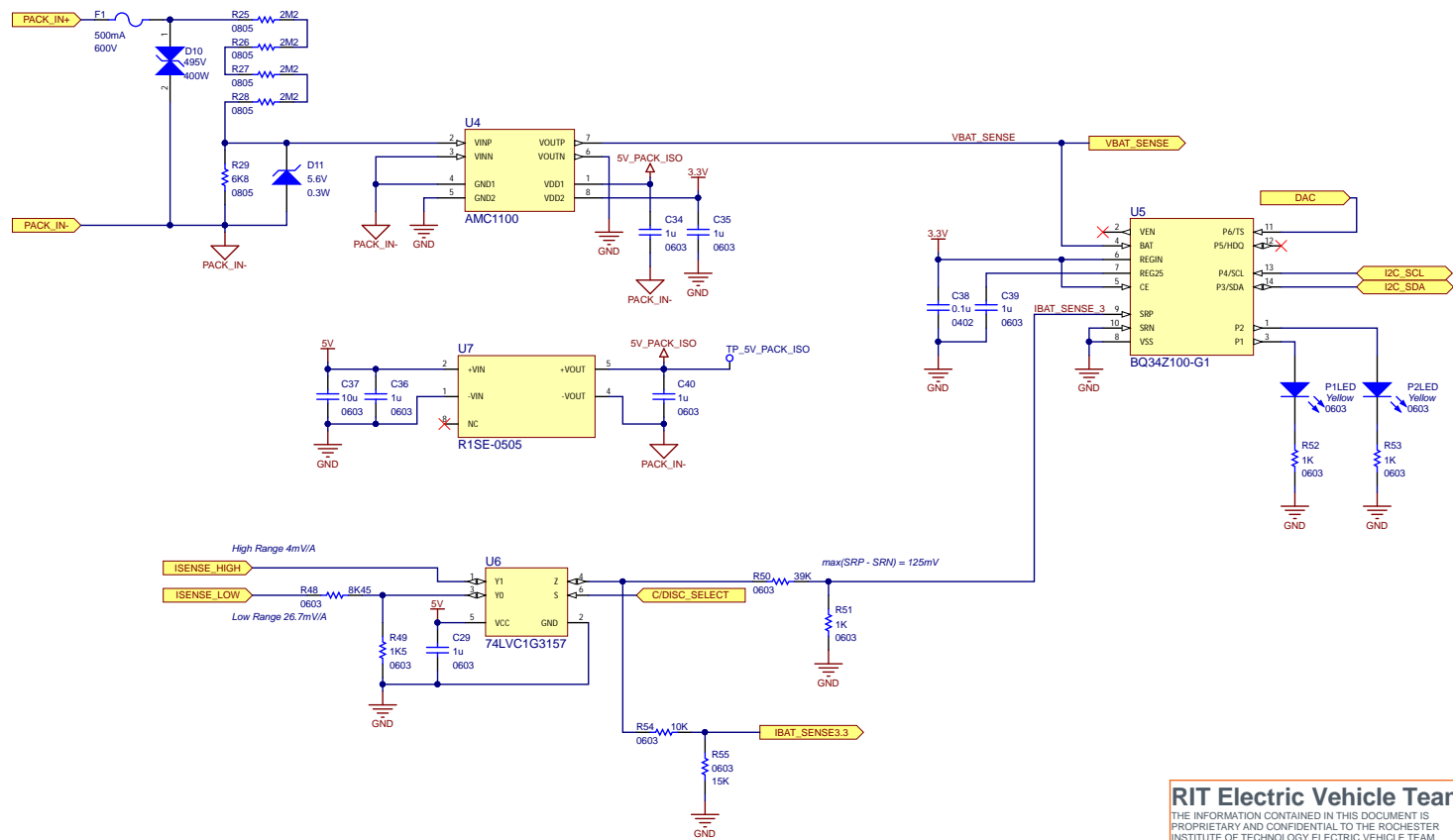


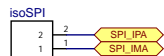
RIT Electric Vehicle Team				
<small>THE INFORMATION CONTAINED IN THIS DOCUMENT IS PROPRIETARY AND CONFIDENTIAL TO THE ROCHESTER INSTITUTE OF TECHNOLOGY ELECTRIC VEHICLE TEAM.</small>				
DRAWN BY: *	DATE: *	MATERIAL: N/A		
PROJECT LEAD APPROVAL: *	DATE: *	FINISH: N/A		
OFFICER APPROVAL: *	DATE: *	TITLE: BMS 4_1 Master.SchDoc		
CAD SOFTWARE: Altium Designer				
UNLESS OTHERWISE SPECIFIED		DWG SIZE	DRAWING NO.	REV
TOLERANCES: XXX = +/- .02 XXX = +/- .005 ANGLES +/- 2 DEG		B	*	x1
DIMENSIONS ARE IN INCHES		SCALE	Sheet 1 of 4	
PRINTED OR GENERATED ON: 3/19/2018 12:09:21 PM				



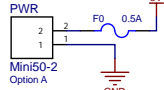
RIT Electric Vehicle Team		
THE INFORMATION CONTAINED IN THIS DOCUMENT IS PROPRIETARY AND CONFIDENTIAL TO THE ROCHESTER INSTITUTE OF TECHNOLOGY ELECTRIC VEHICLE TEAM.		
DRAWN BY: SMT & BPS	DATE: *	MATERIAL: N/A
PROJECT LEAD APPROVAL: *	DATE: *	FINISH: N/A
OFFICER APPROVAL: *	DATE: *	TITLE: MCU.SchDoc
CAD SOFTWARE: Altium Designer		
UNLESS OTHERWISE SPECIFIED TOLERANCES: .XX = +/- .02 .XXX = +/- .005 ANGLES +/- .2 DEG		
DWG SIZE: B	DRAWING NO: *	REV: 1.1
SCALE: Sheet 2 of 4		PRINTED OR GENERATED ON: 3/19/2018 12:09:21 PM



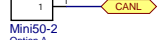
RIT Electric Vehicle Team		
THE INFORMATION CONTAINED IN THIS DOCUMENT IS PROPRIETARY AND CONFIDENTIAL TO THE ROCHESTER INSTITUTE OF TECHNOLOGY ELECTRIC VEHICLE TEAM.		
DRAWN BY:	DATE:	MATERIAL:
*	*	N/A
PROJECT LEAD APPROVAL:	DATE:	FINISH:
*	*	N/A
OFFICER APPROVAL:	DATE:	TITLE:
*	*	SOC.SchDoc
CAD SOFTWARE: Altium Designer		
UNLESS OTHERWISE SPECIFIED TOLERANCES: JXX = +/- .02 JXXX = +/- .005 ANGLES +/- 2 DEG		DWG SIZE: B DRAWING NO.: * SCALE: * Sheet 3 of 4
PRINTED OR GENERATED ON: 3/19/2018 12:09:22 PM		



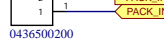
Mini50-2
Option A



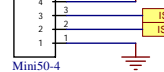
Mini50-2
Option A



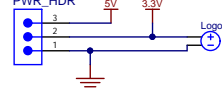
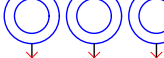
Mini50-2
Option A



0436500200



Mini50-4



RIT Electric Vehicle Team <small>THE INFORMATION CONTAINED IN THIS DOCUMENT IS PROPRIETARY AND CONFIDENTIAL TO THE ROCHESTER INSTITUTE OF TECHNOLOGY ELECTRIC VEHICLE TEAM.</small>					
DRAWN BY: *	DATE: *	MATERIAL: N/A			
PROJECT LEAD APPROVAL: *	DATE: *	FINISH: N/A			
OFFICER APPROVAL: *	DATE: *	TITLE: Connectors - Master.SchDoc			
CAD SOFTWARE: Altium Designer					
UNLESS OTHERWISE SPECIFIED TOLERANCES: XXX = +/- .02 XXX = +/- .005 ANGLES +/- 2 DEG		DWG SIZE: B	DRAWING NO.:	REV: x1	
SCALE:		Sheet 4 of 4			
PRINTED OR GENERATED ON:			3/19/2018 12:09:22 PM		