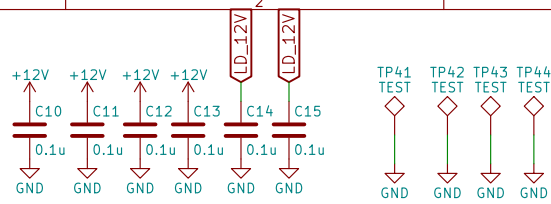


Laser Diode Driver Circuit

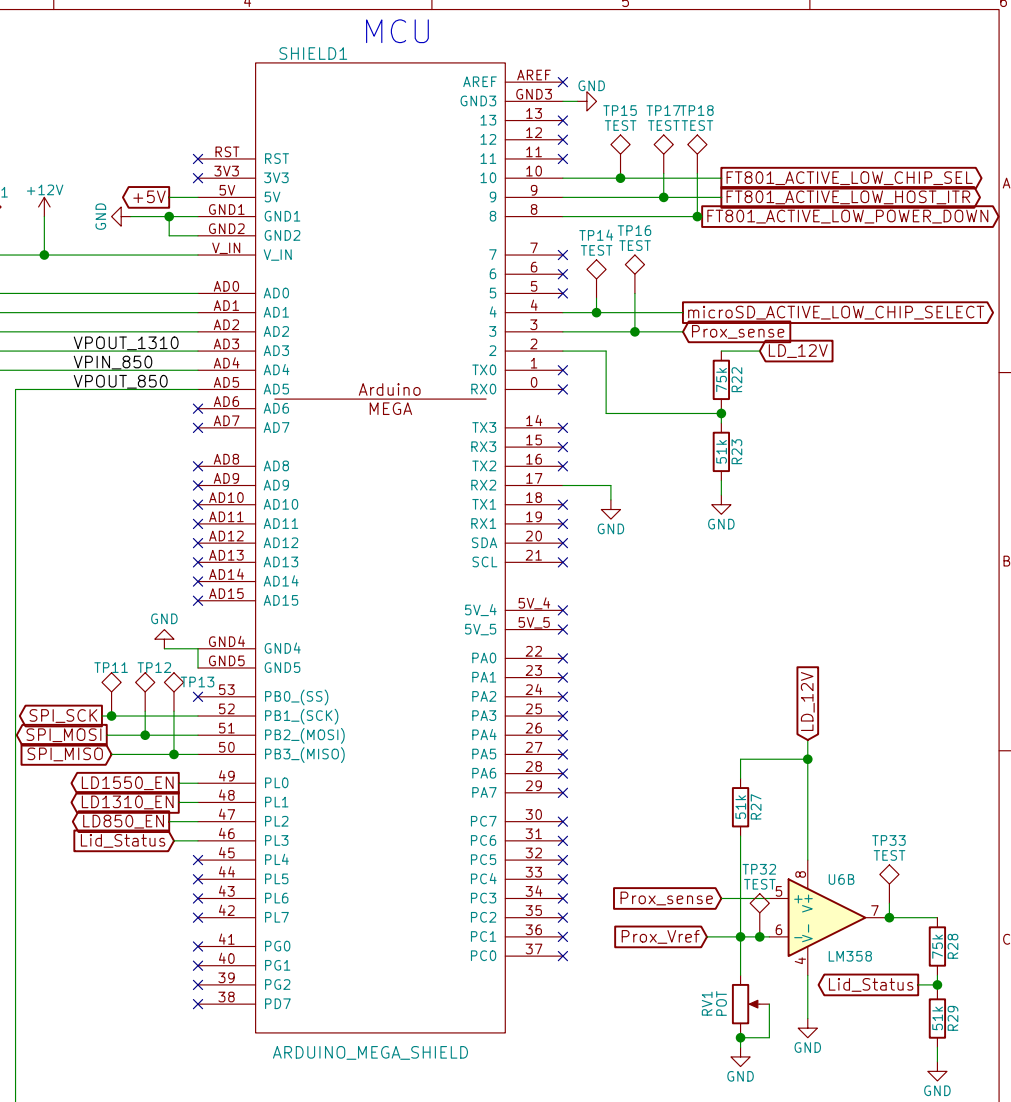
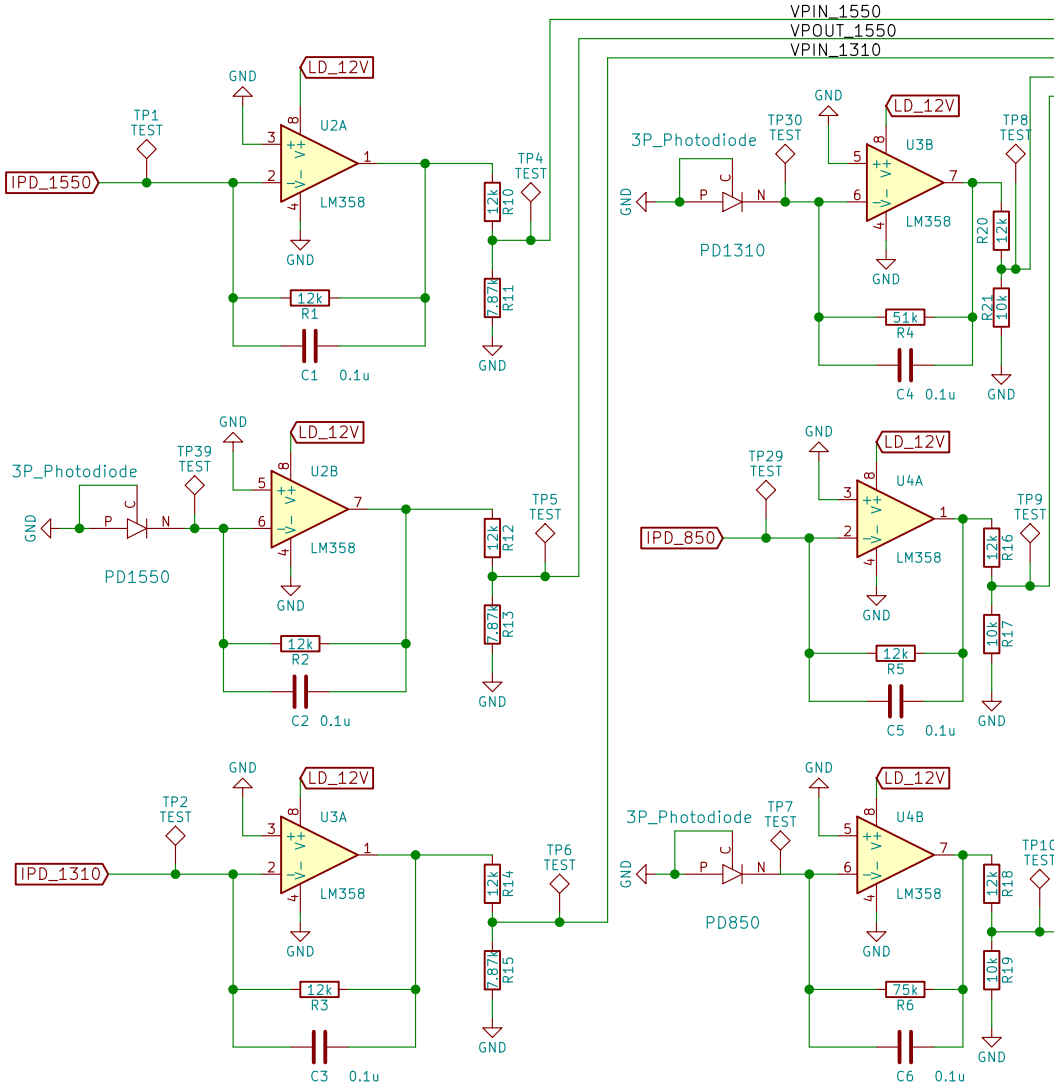
Laser_Drivers.sch

PCB shield connectors

Connectors.sch

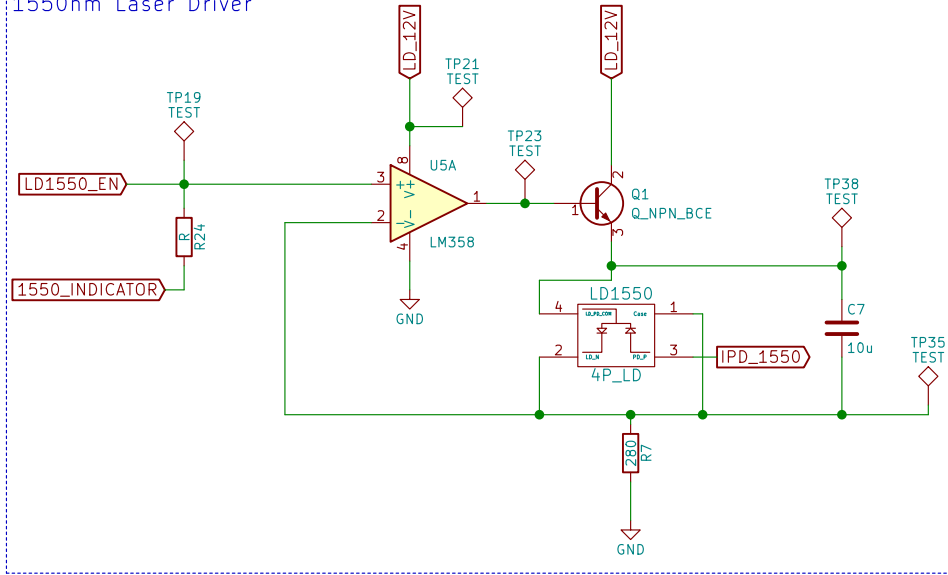


Signal Conditioning

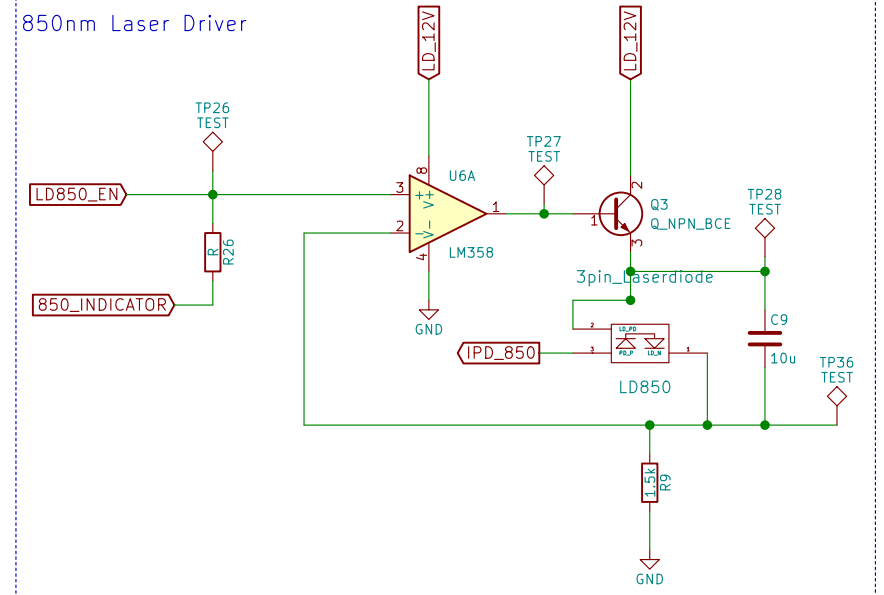


Sheet: /		Date:	
File: POTATO Schematic.sch		Rev:	
Size: A4	kiCad 4.0.7	Id: 1/3	

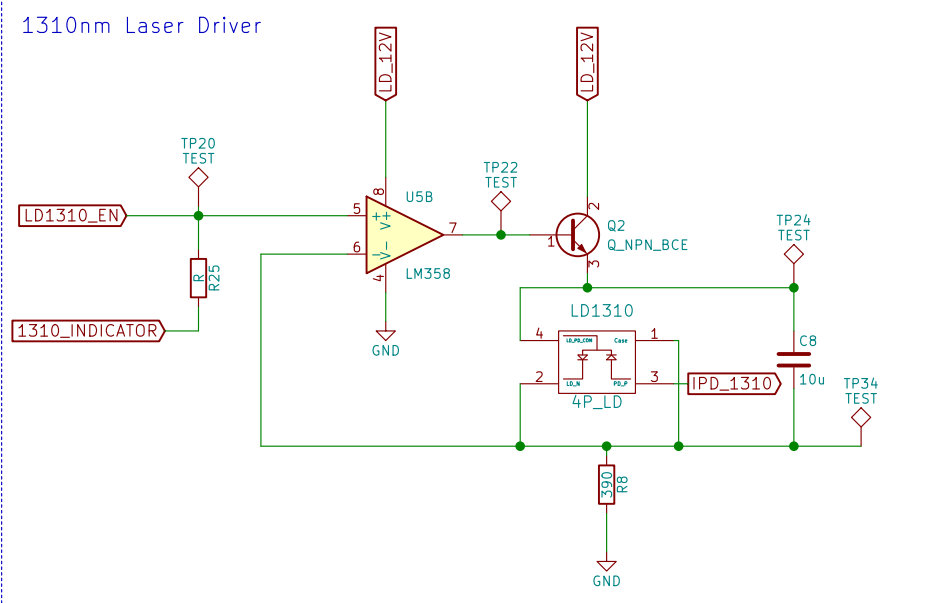
1550nm Laser Driver



850nm Laser Driver



1310nm Laser Driver



Sheet: /Laser Diode Driver Circuit/
File: Laser_Drivers.sch

Title:

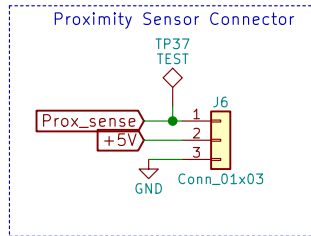
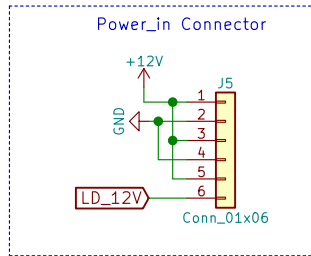
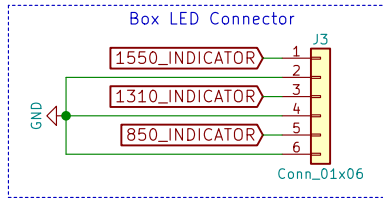
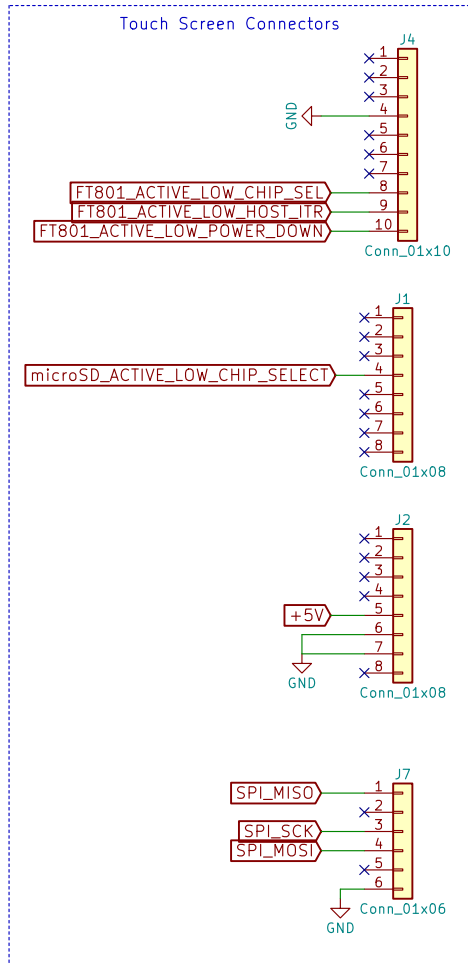
Size: A4

Date:

KiCad E.D.A. kicad 4.0.7

Rev:

Id: 2/3



Sheet: /PCB shield connectors/
File: Connectors.sch

Title:

Size: A4
KiCad E.D.A. kicad 4.0.7

Date:

Rev:
Id: 3/3