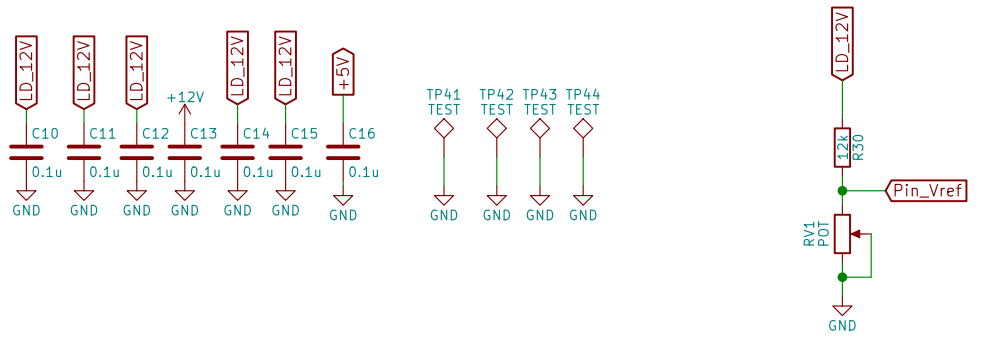


Laser Diode Driver Circuit

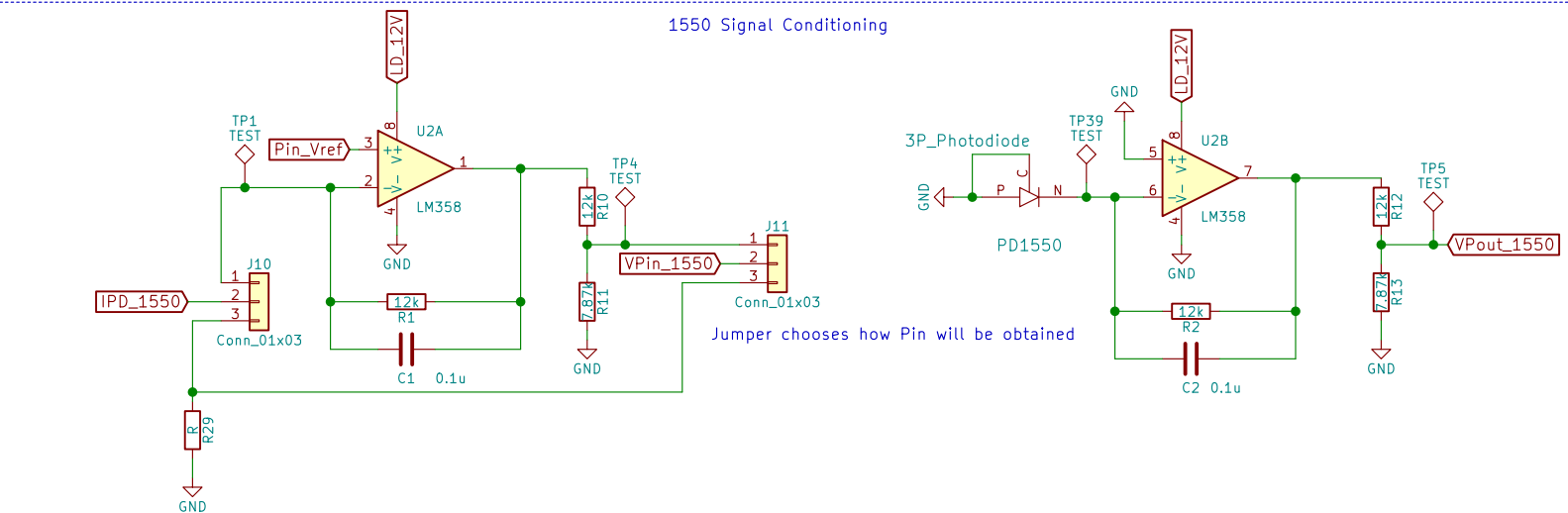
Laser_Drivers.sch

PCB shield connectors

Connectors.sch

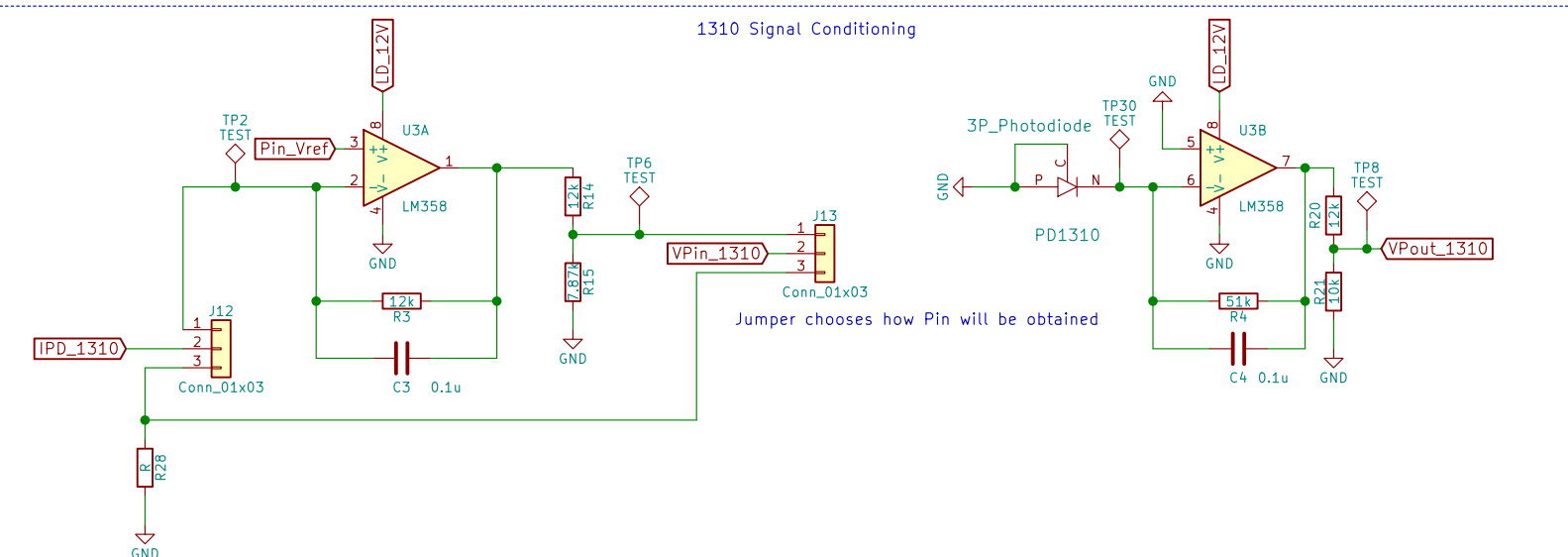


1550 Signal Conditioning



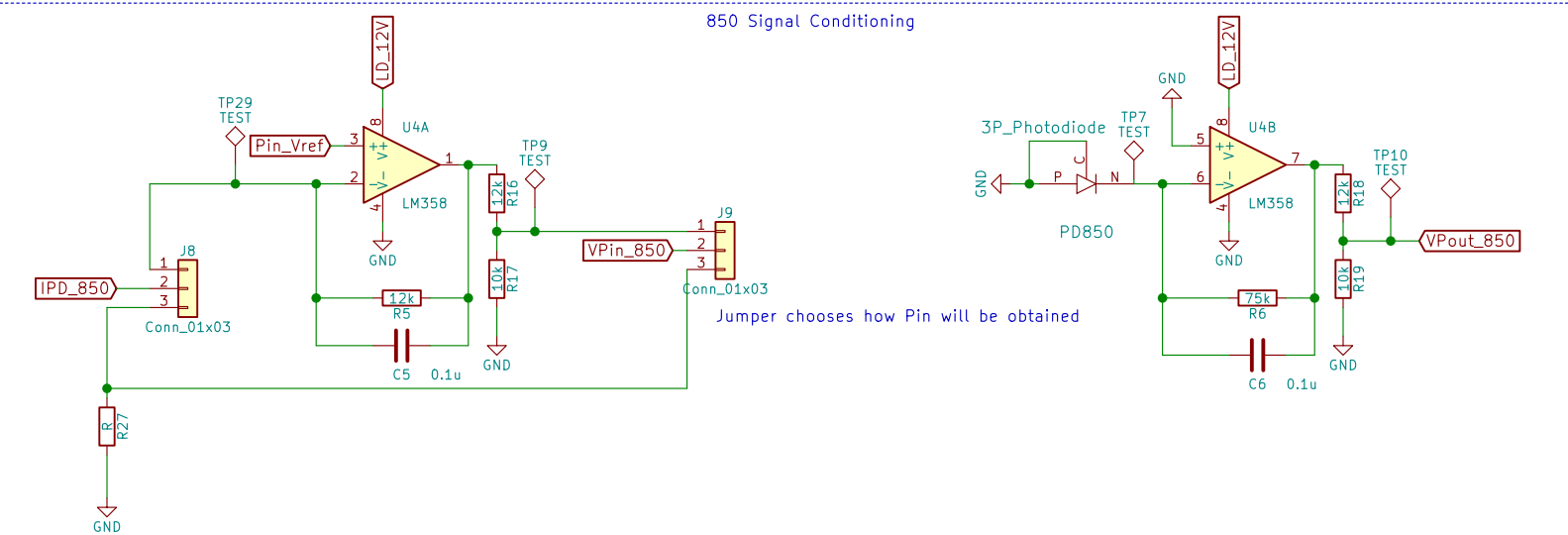
Jumper chooses how Pin will be obtained

1310 Signal Conditioning



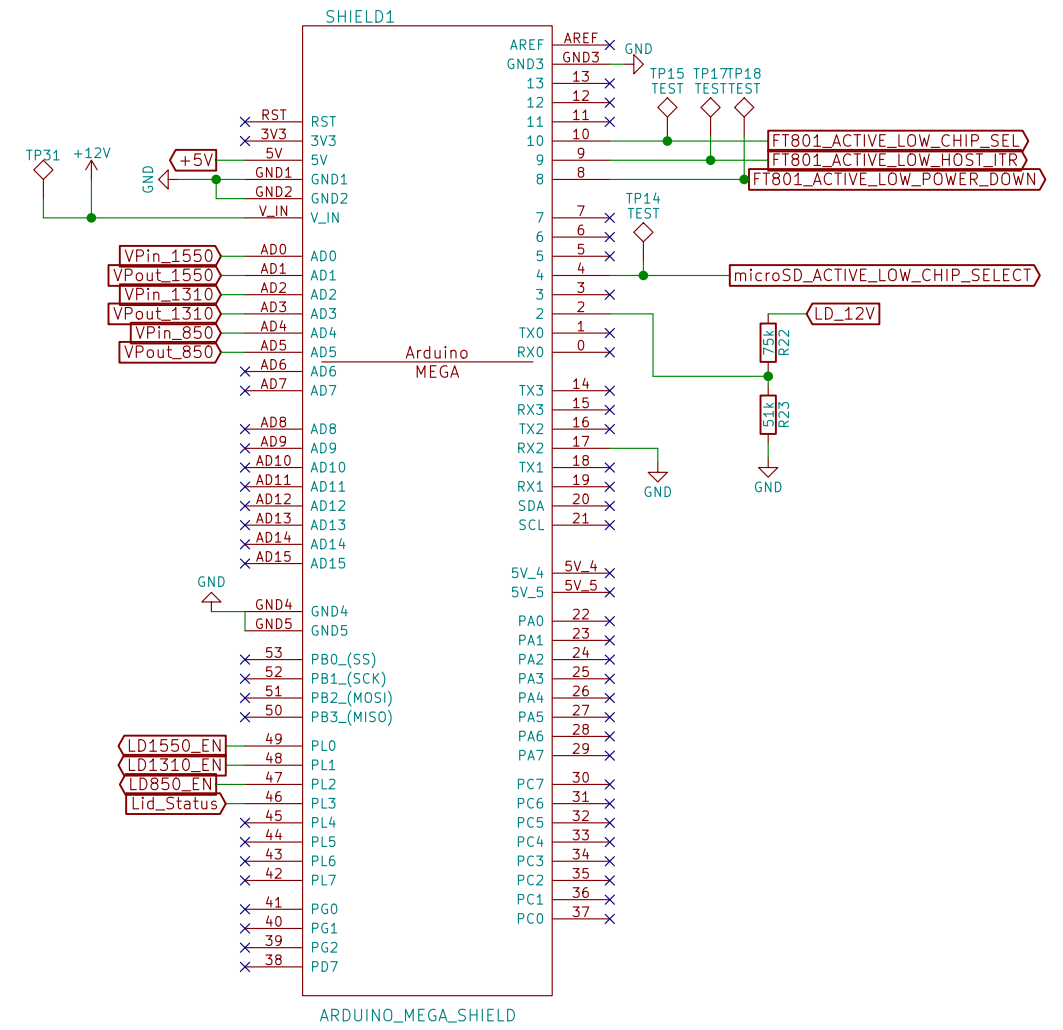
Jumper chooses how Pin will be obtained

850 Signal Conditioning



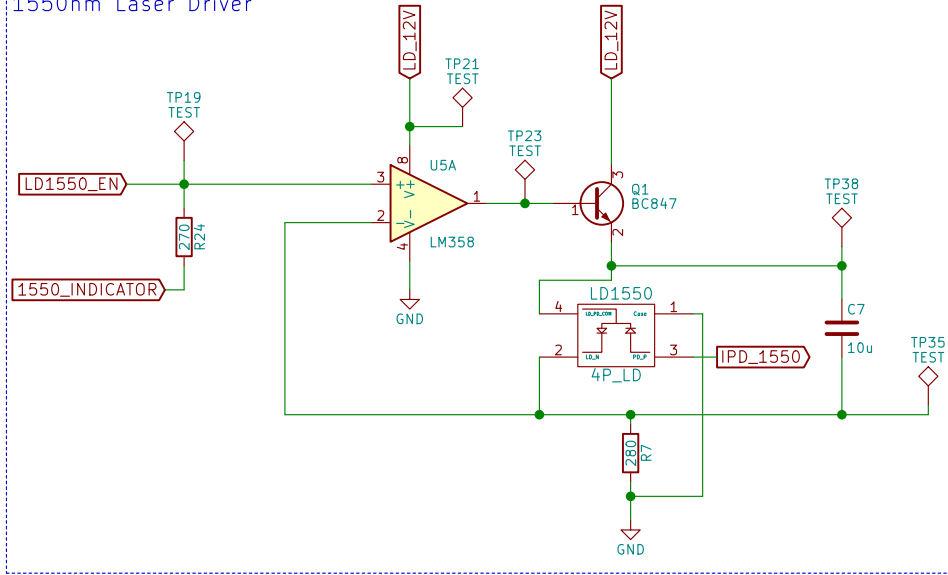
Jumper chooses how Pin will be obtained

MCU

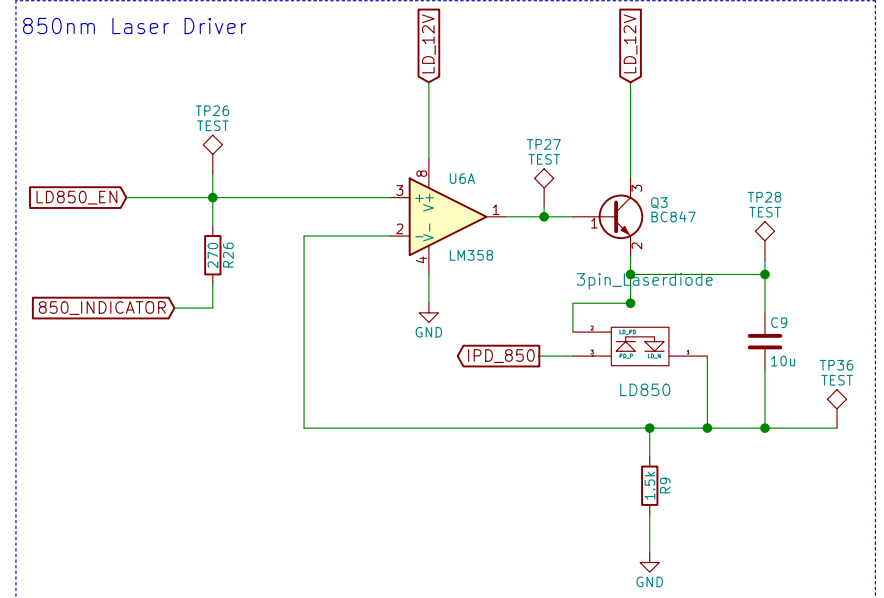


ARDUINO_MEGA_SHIELD

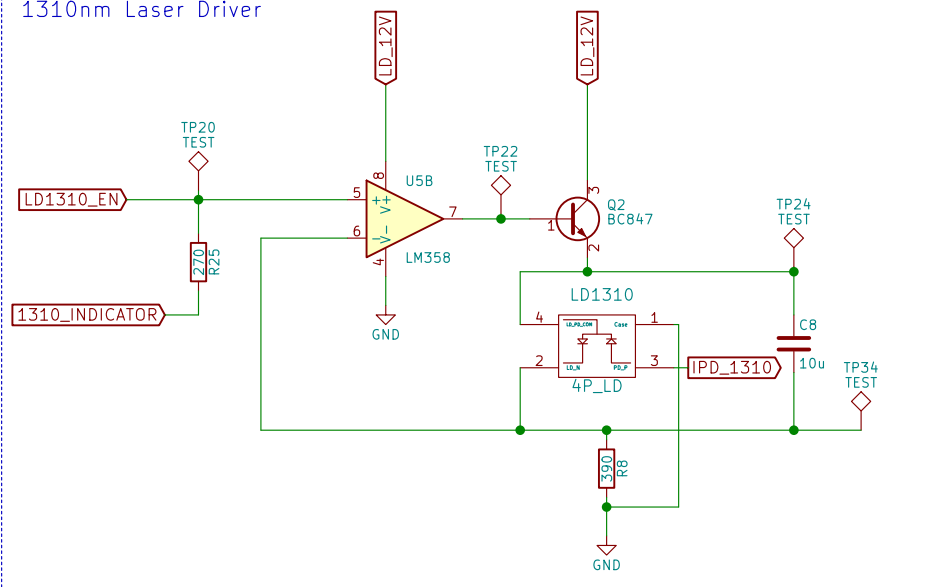
1550nm Laser Driver



850nm Laser Driver



1310nm Laser Driver



Sheet: /Laser Diode Driver Circuit/
File: Laser_Drivers.sch

Title:

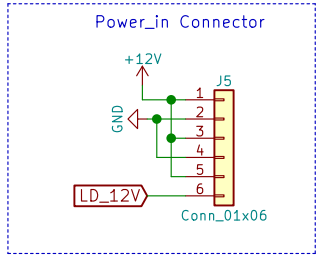
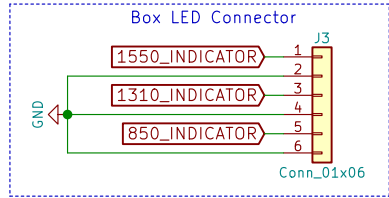
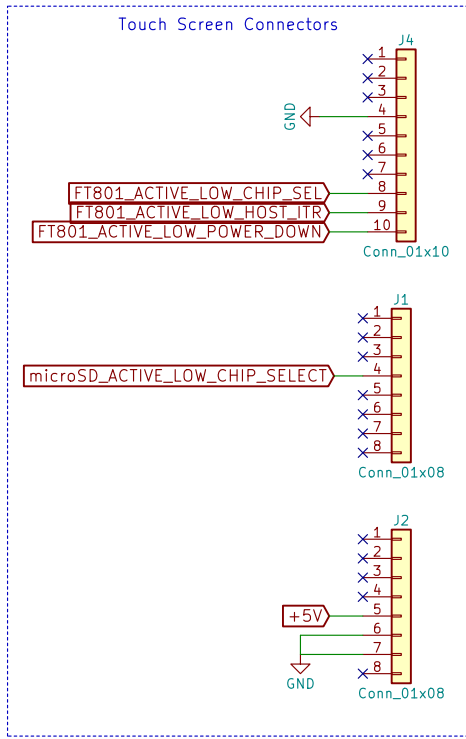
Size: A4

Date:

KiCad E.D.A. kicad 4.0.7

Rev:

Id: 2/3



Sheet: /PCB shield connectors/
 File: Connectors.sch

Title:

Size: A4

Date:

KiCad E.D.A. kicad 4.0.7

Rev:

Id: 3/3