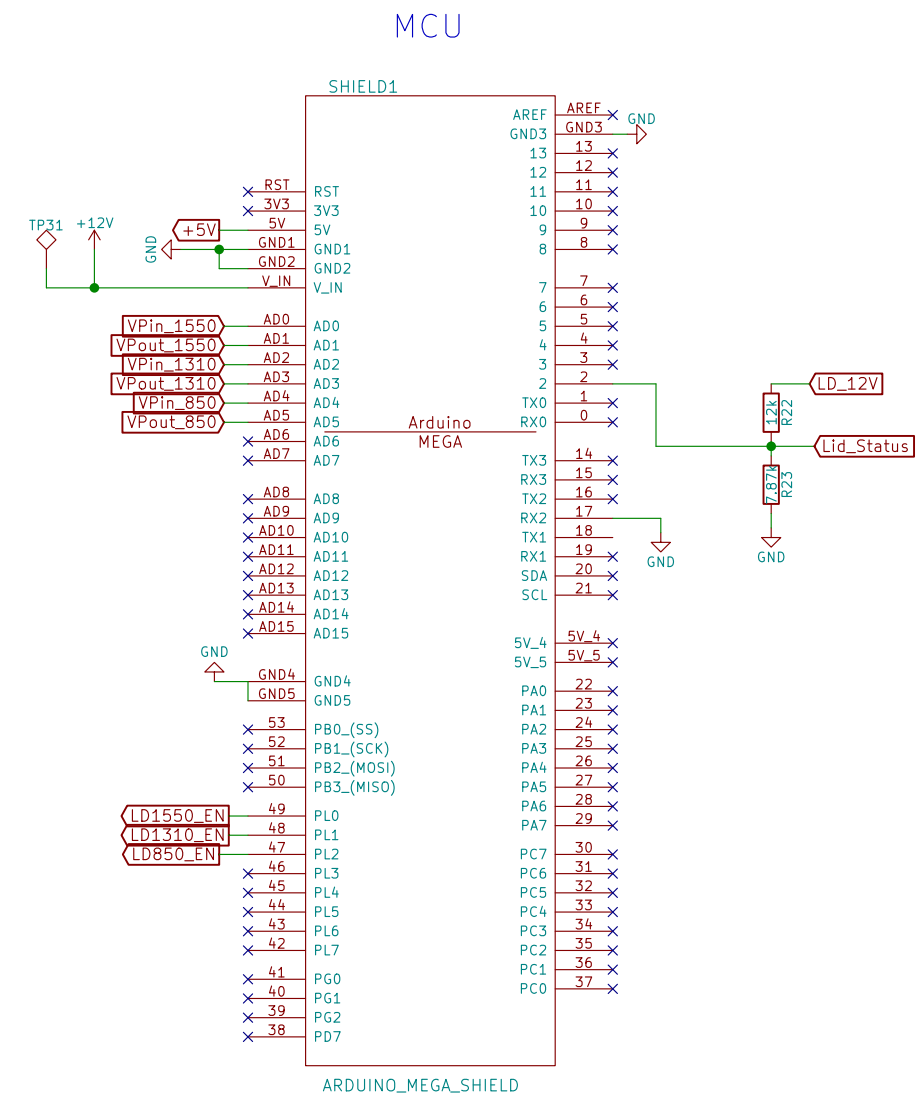
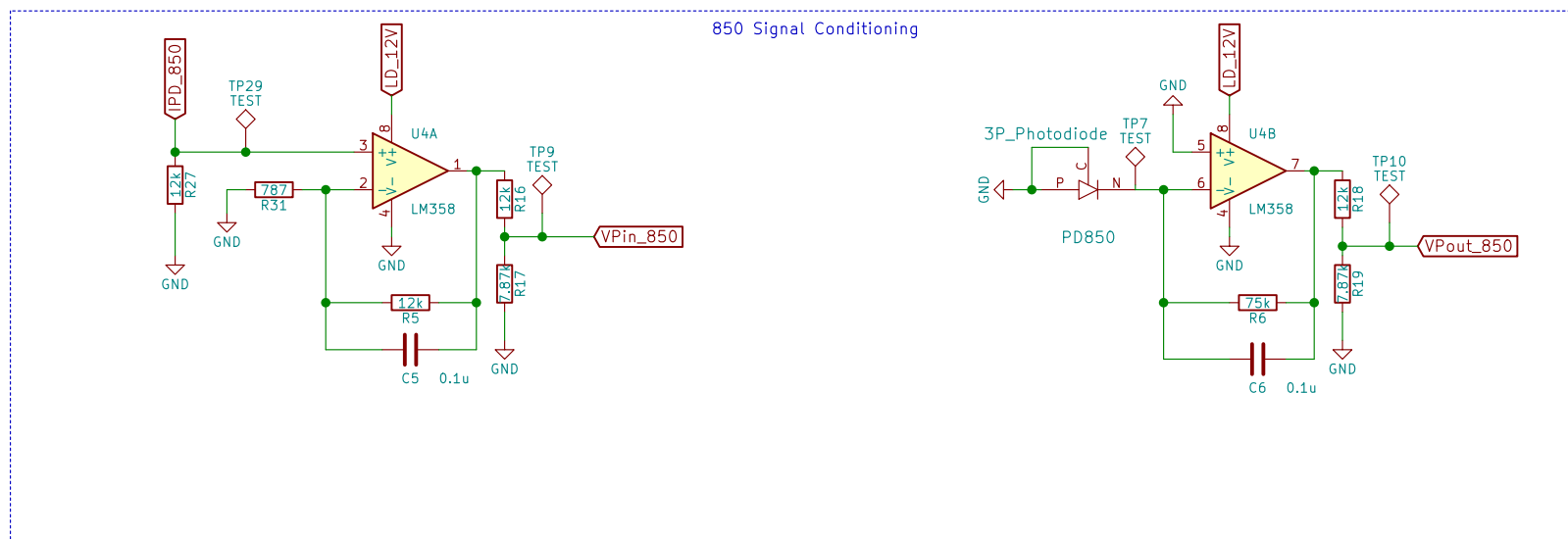
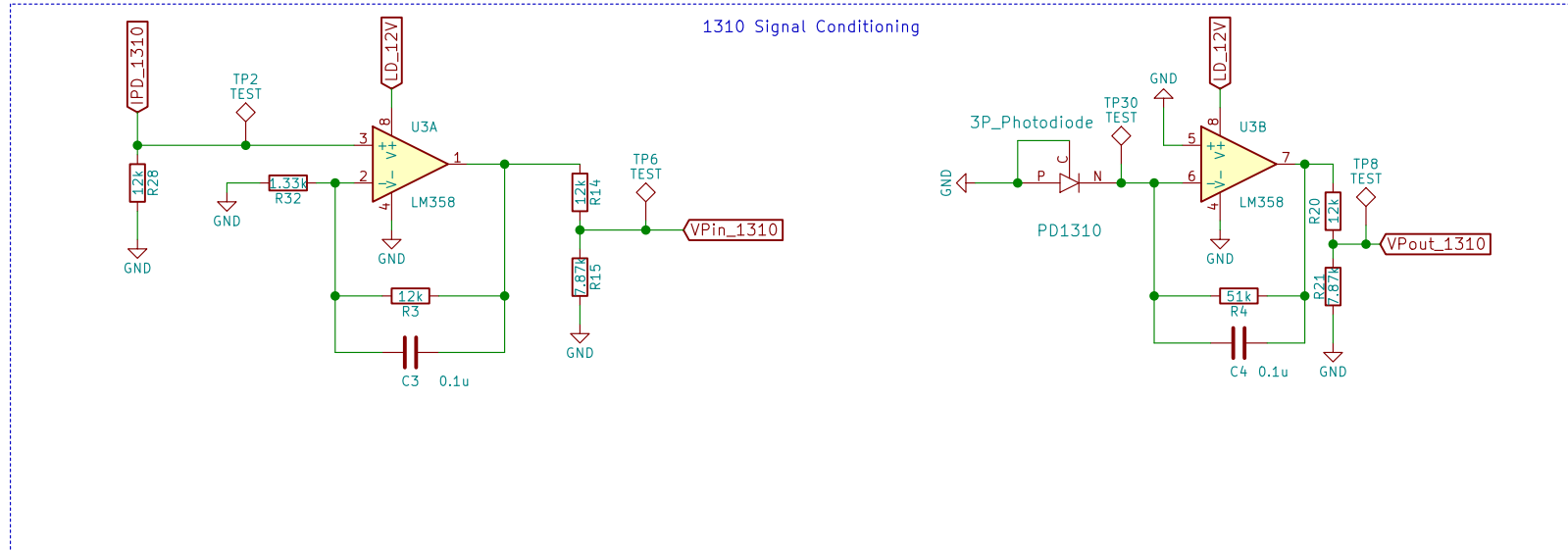
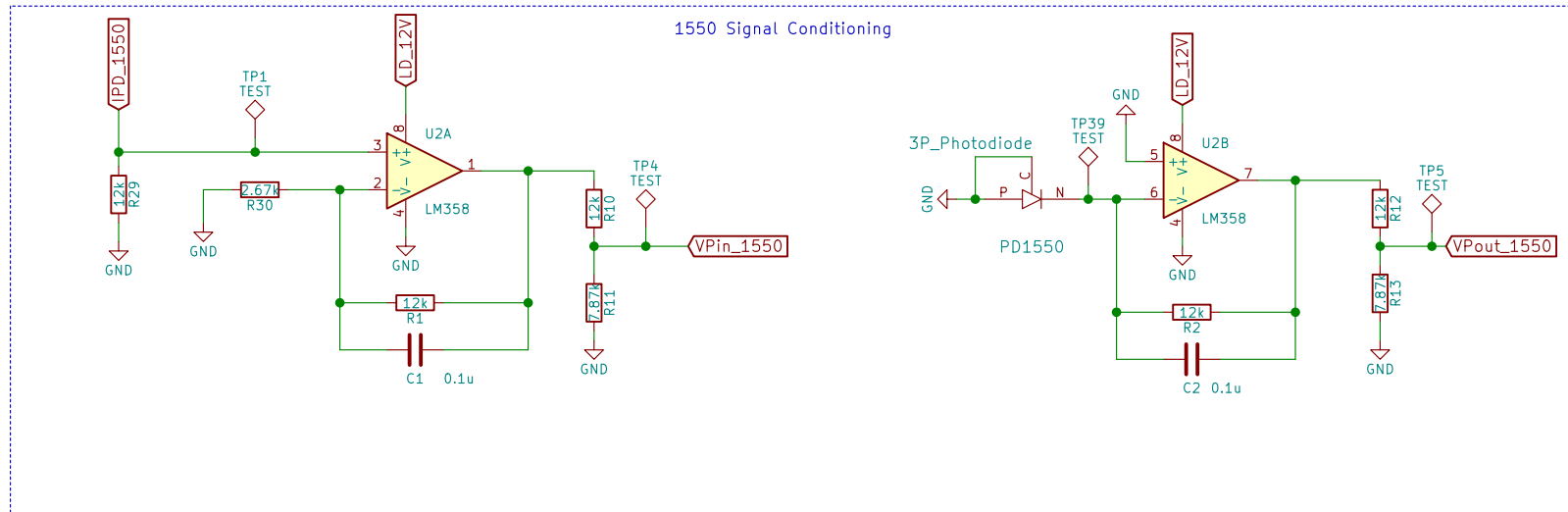
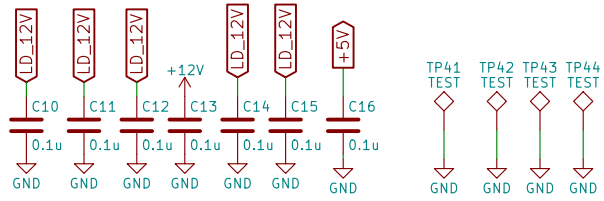
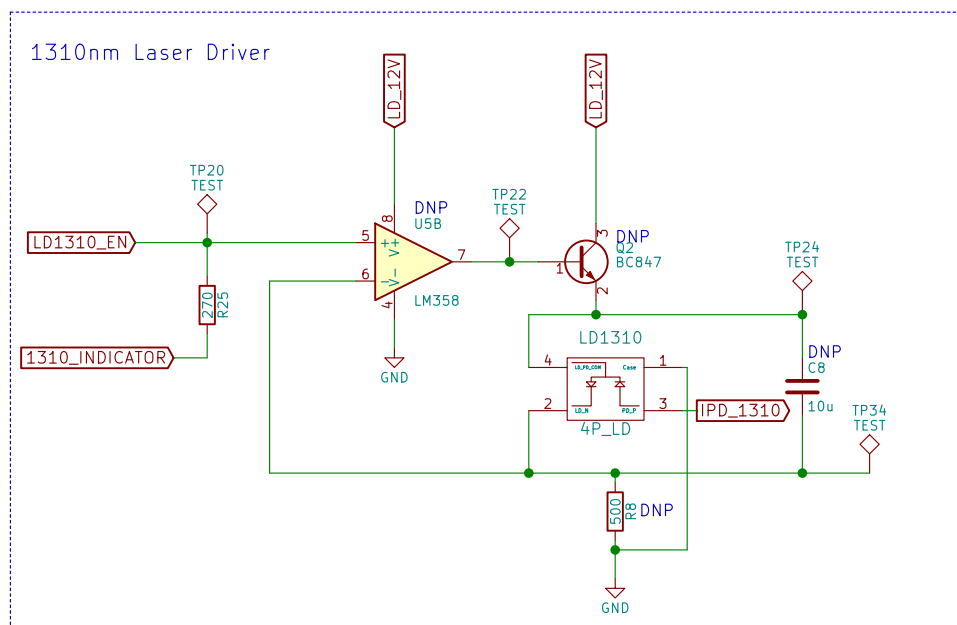
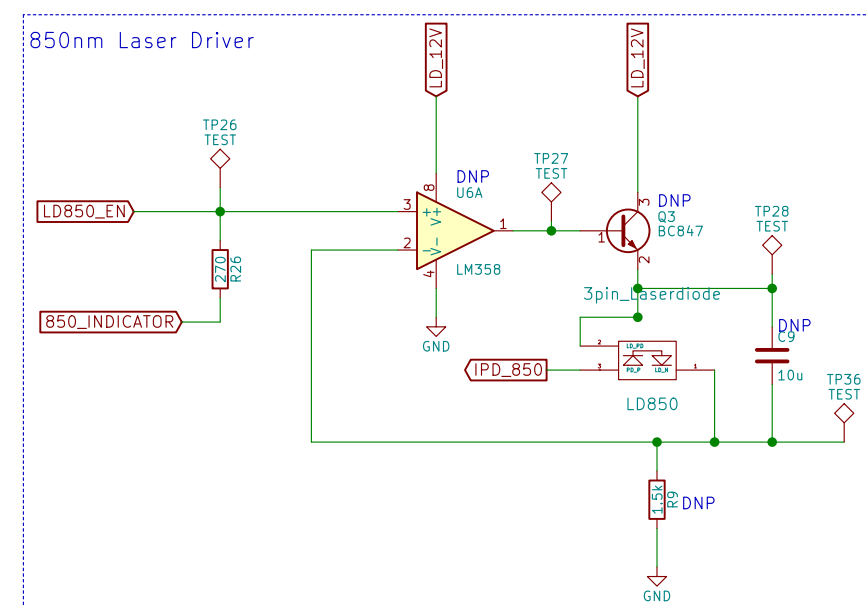
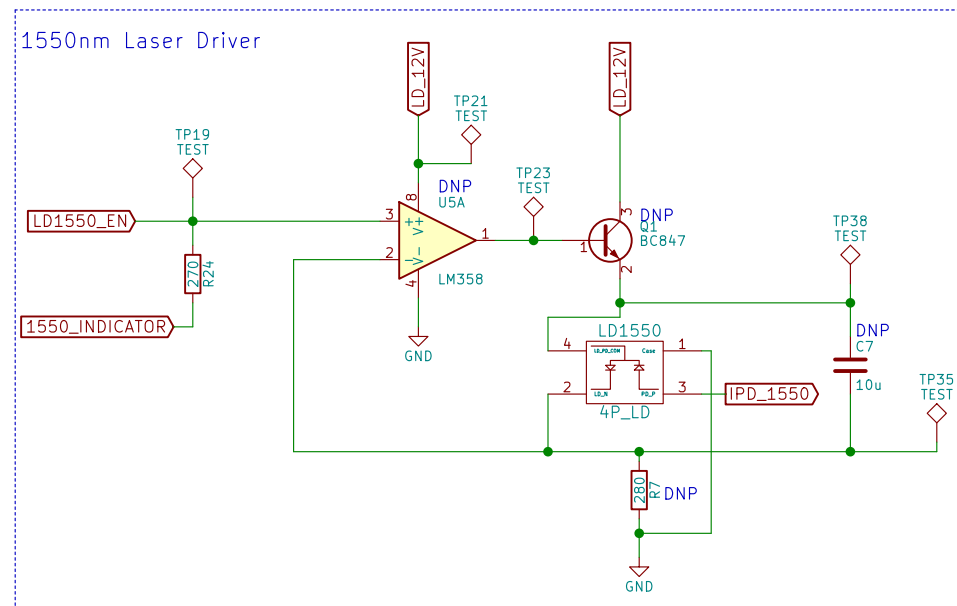


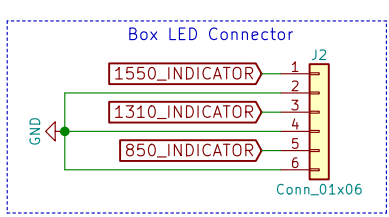
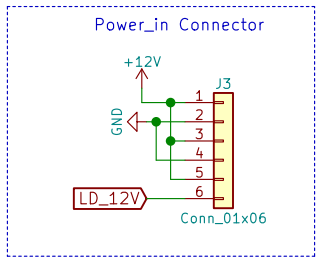
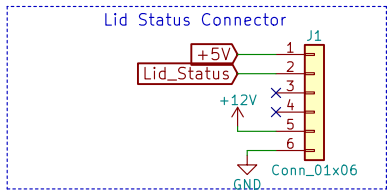
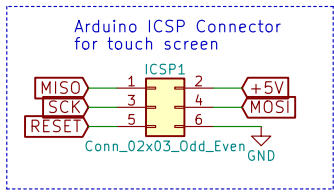
Laser Diode Driver Circuit
 Laser_Drivers.sch
 PCB shield connectors
 Connectors.sch
 New Laser Driver Circuit
 Modified_Laser_Driver.sch

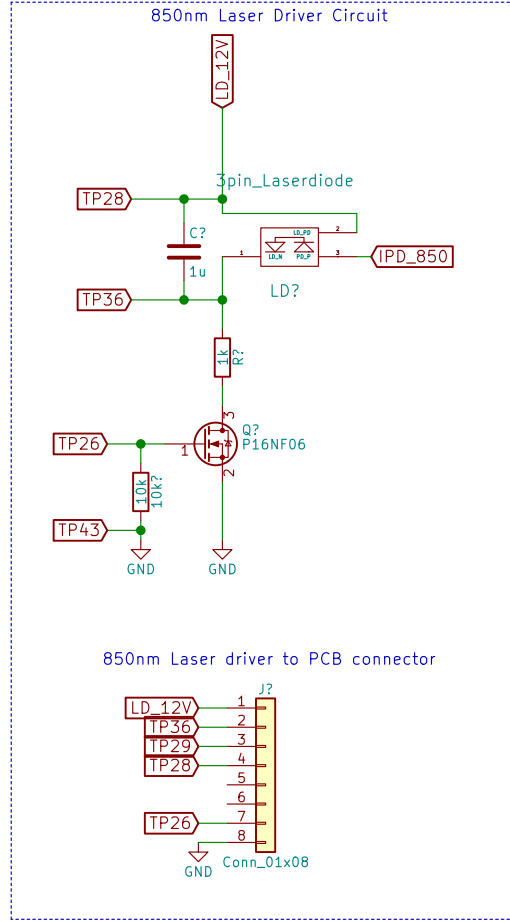
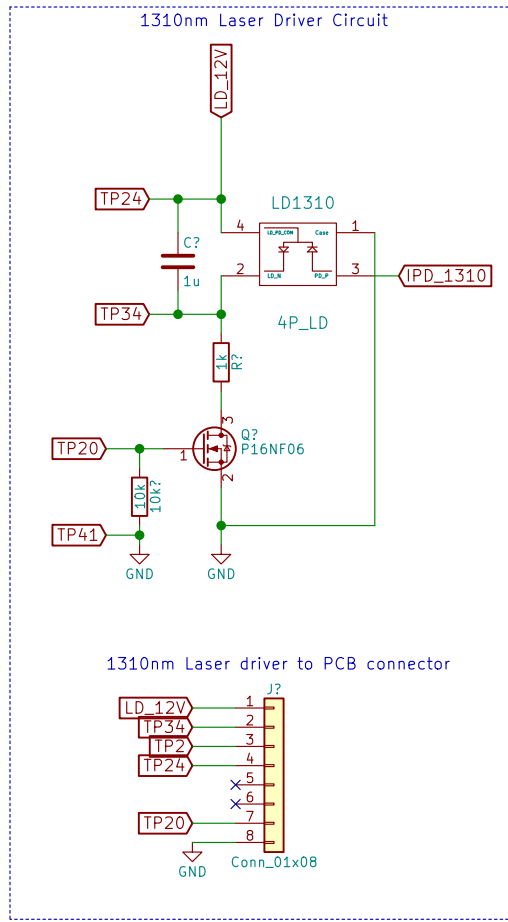
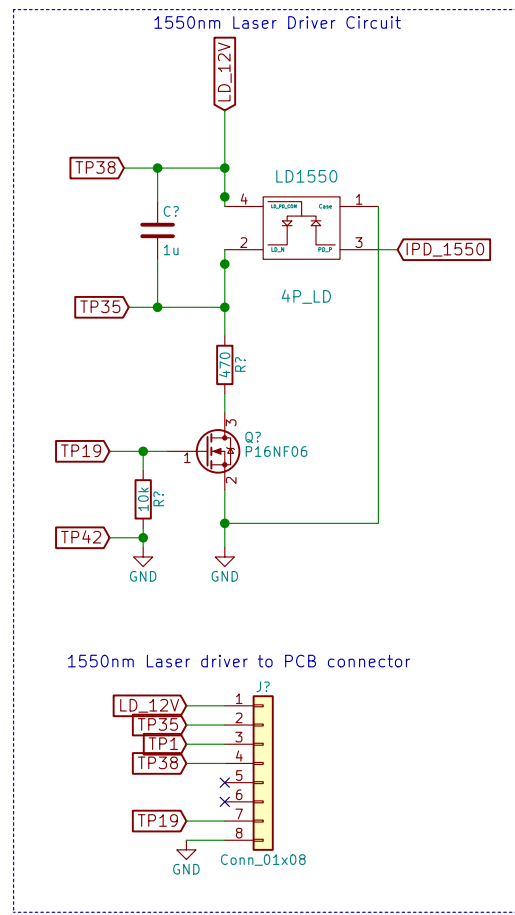




These circuits are on the final PCB but were not functional and thus they are not populated on the PCB.

Sheet: /Laser Diode Driver Circuit/ File: Laser_Drivers.sch		
Title:		
Size: A3	Date:	Rev:
KiCad E.D.A. eschema 4.0.7		Id: 2/4





These Laser Drivers are on a project board that is separate from the PCB