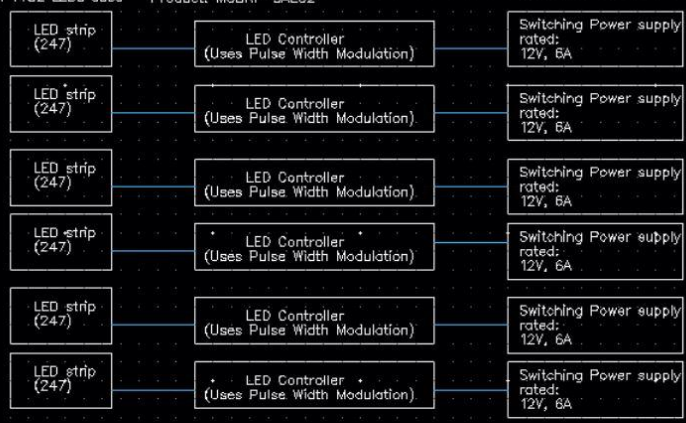


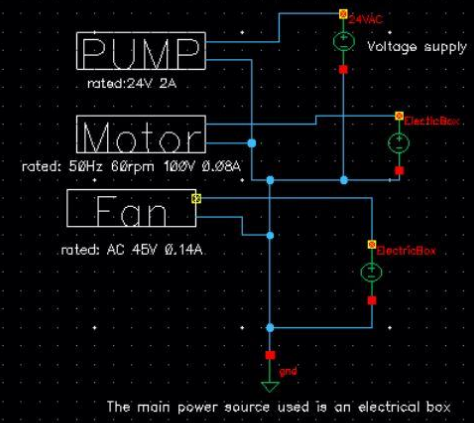
The Number of LEDs being used is 247 LEDs per strip and are wired in parellel. With a total 1482 LEDs used in design
 Product: NFLS-X3-LC2

All 6 LED controllers(timers) are programmable
 Product: MCBRF-5ALC2

power supply
 model:HLT-200600C

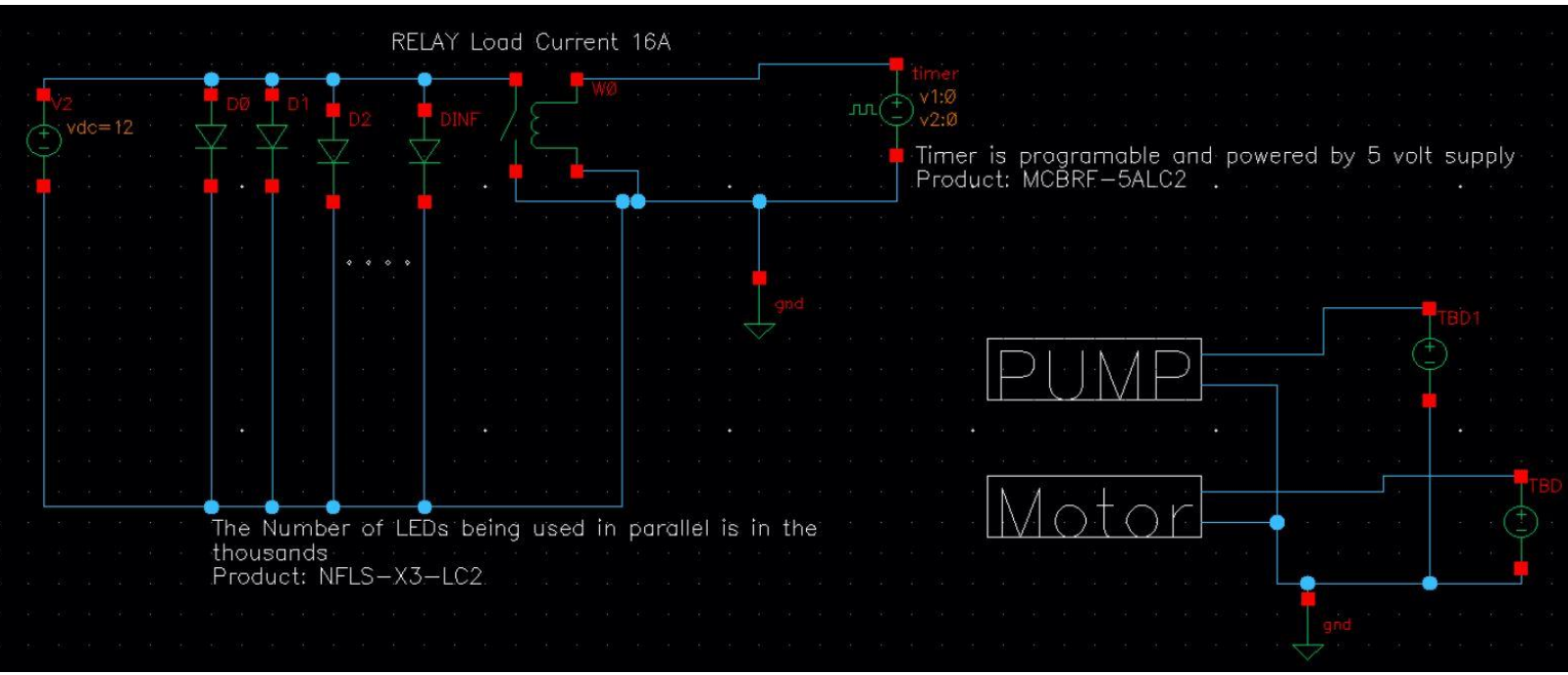


Description: There are 6 strip of LEDs, so if one strip falls the other still work.The timer in each strip controls the brightness of the LEDs. All of the timers are synced to one remote, so all the LEDs will have the same brightness and are controlled by one remote.



The main power source used is an electrical box

Schematic for the lighting subsystem. Including the cylinder, the pump, motor and fan.



The Number of LEDs being used in parallel is in the thousands
 Product: NFLS-X3-LC2

Timer is programmable and powered by 5 volt supply
 Product: MCBRF-5ALC2

Schematic for the LED component of the Testbenches. Including a preliminary design for the pump and motor schematic