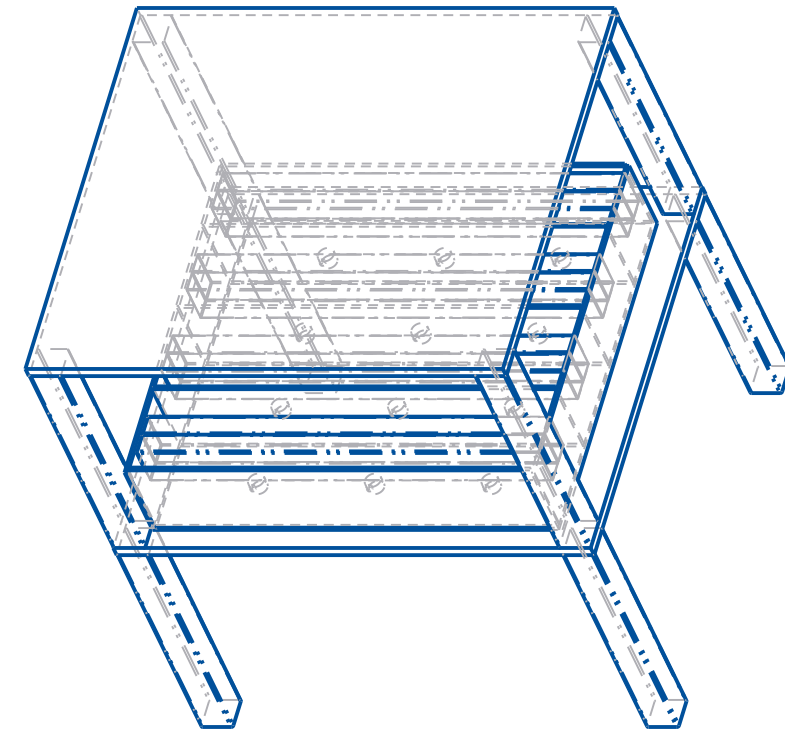
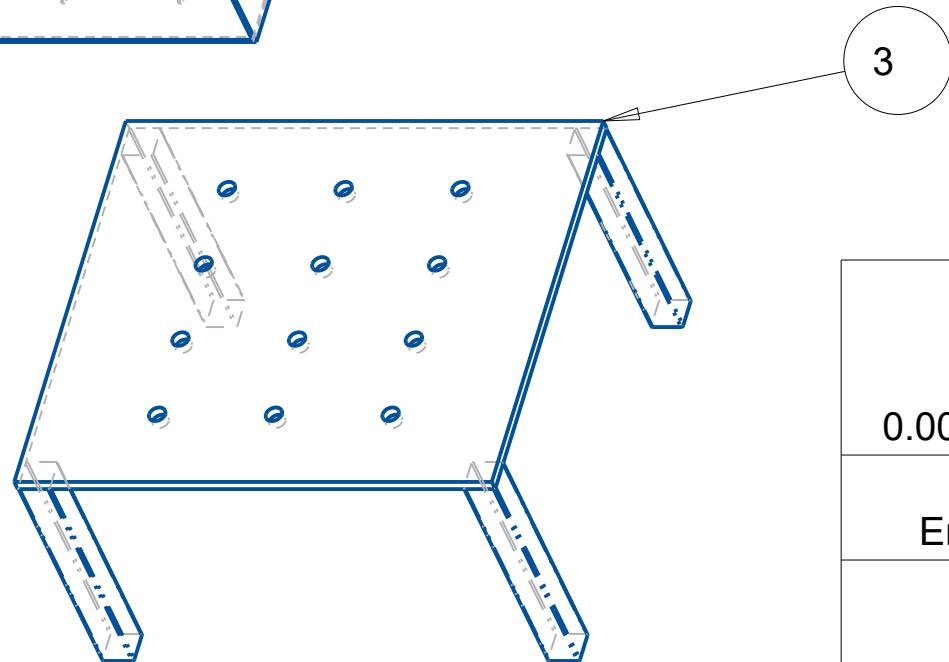
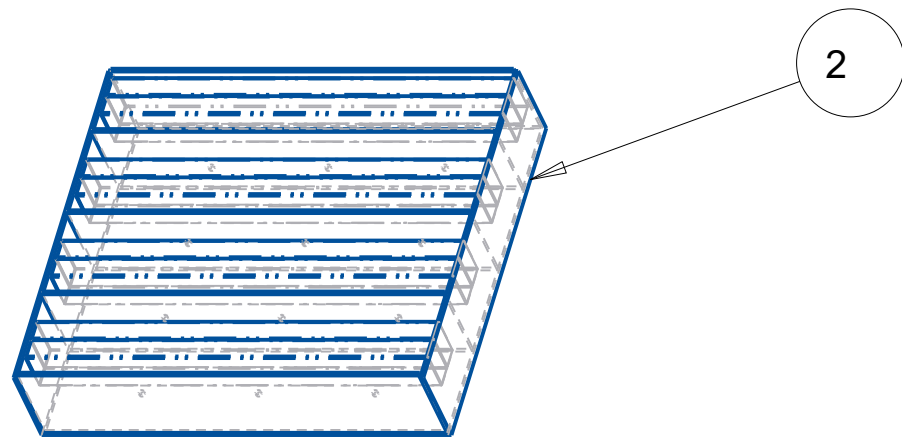
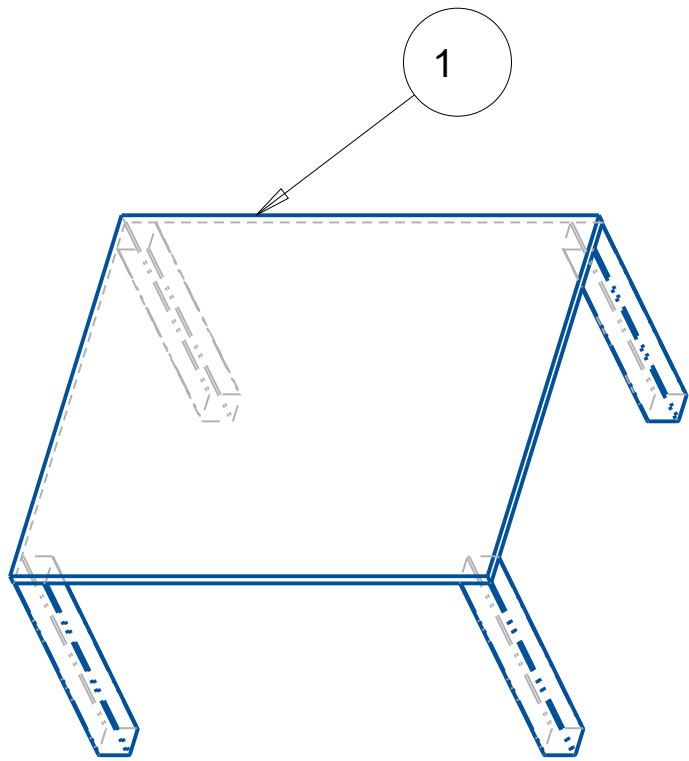
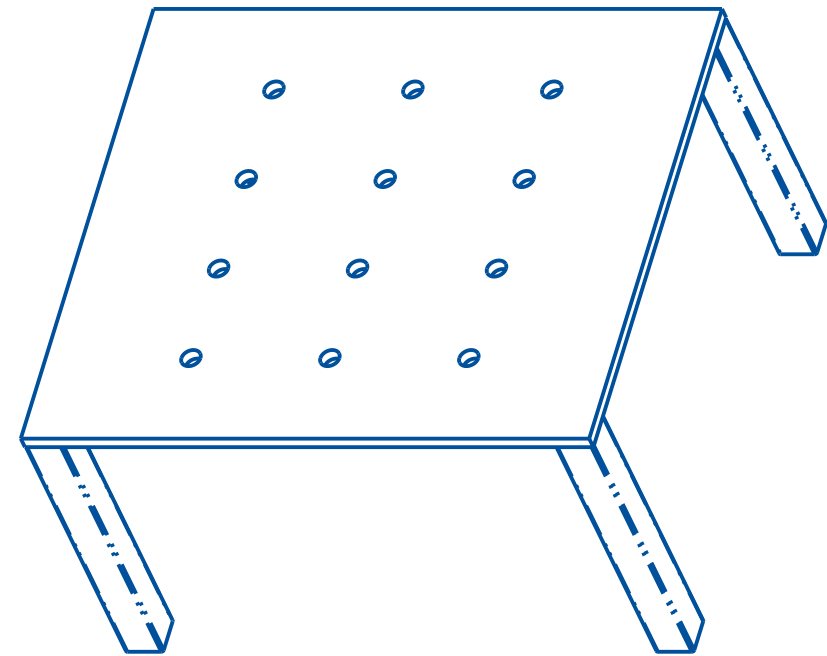
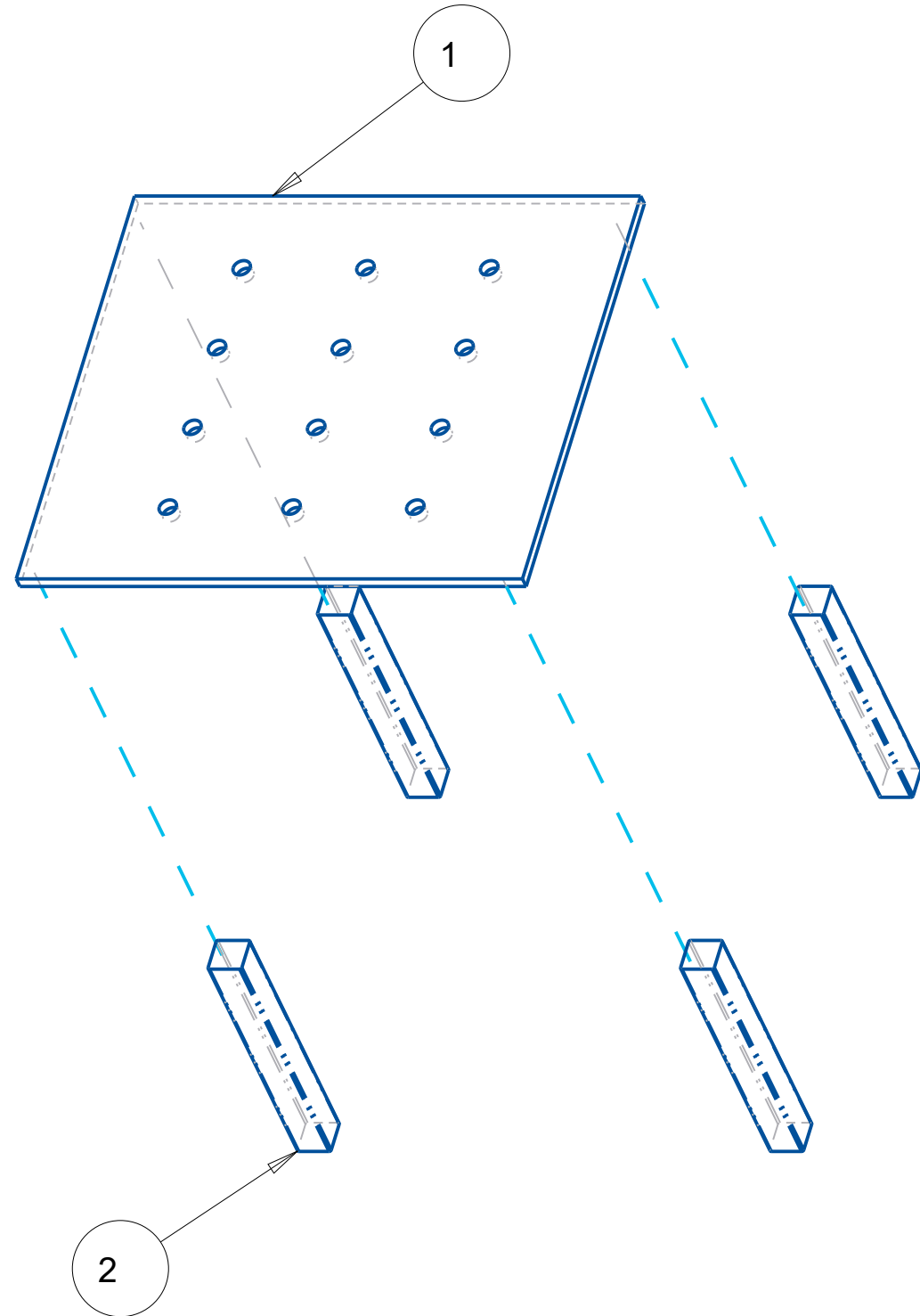


ITEM NO	PART NUMBER	QTY	DESCRIPTION	NOTES
1	4X_LIGHT_SUBASSY	1	4x_light_subassy.asm	
2	4X_TRAY_SUBASSY	1	4xtestdesig.asm	
3	BASE_SUBASSY	1	base_subassy.asm	

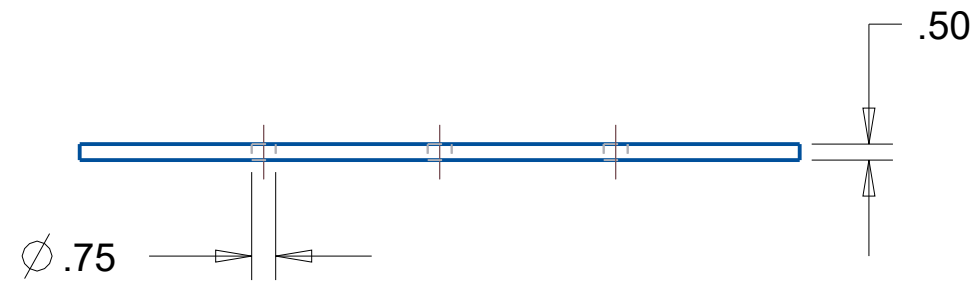
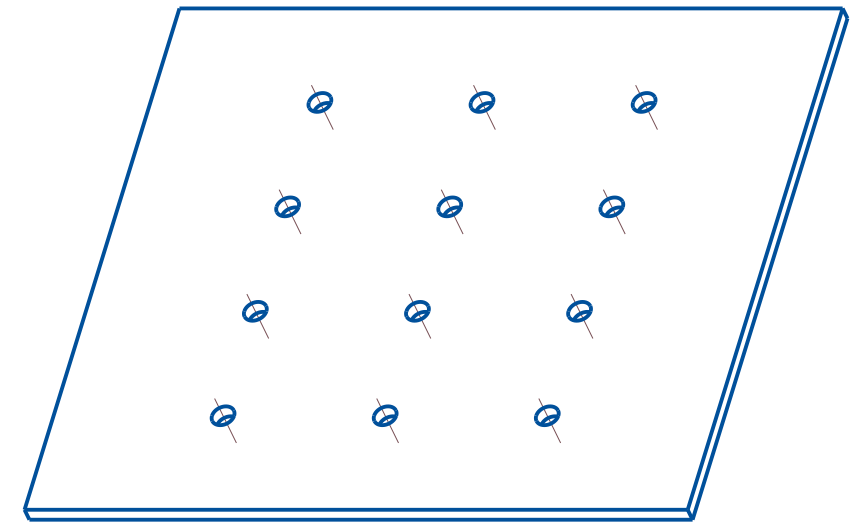
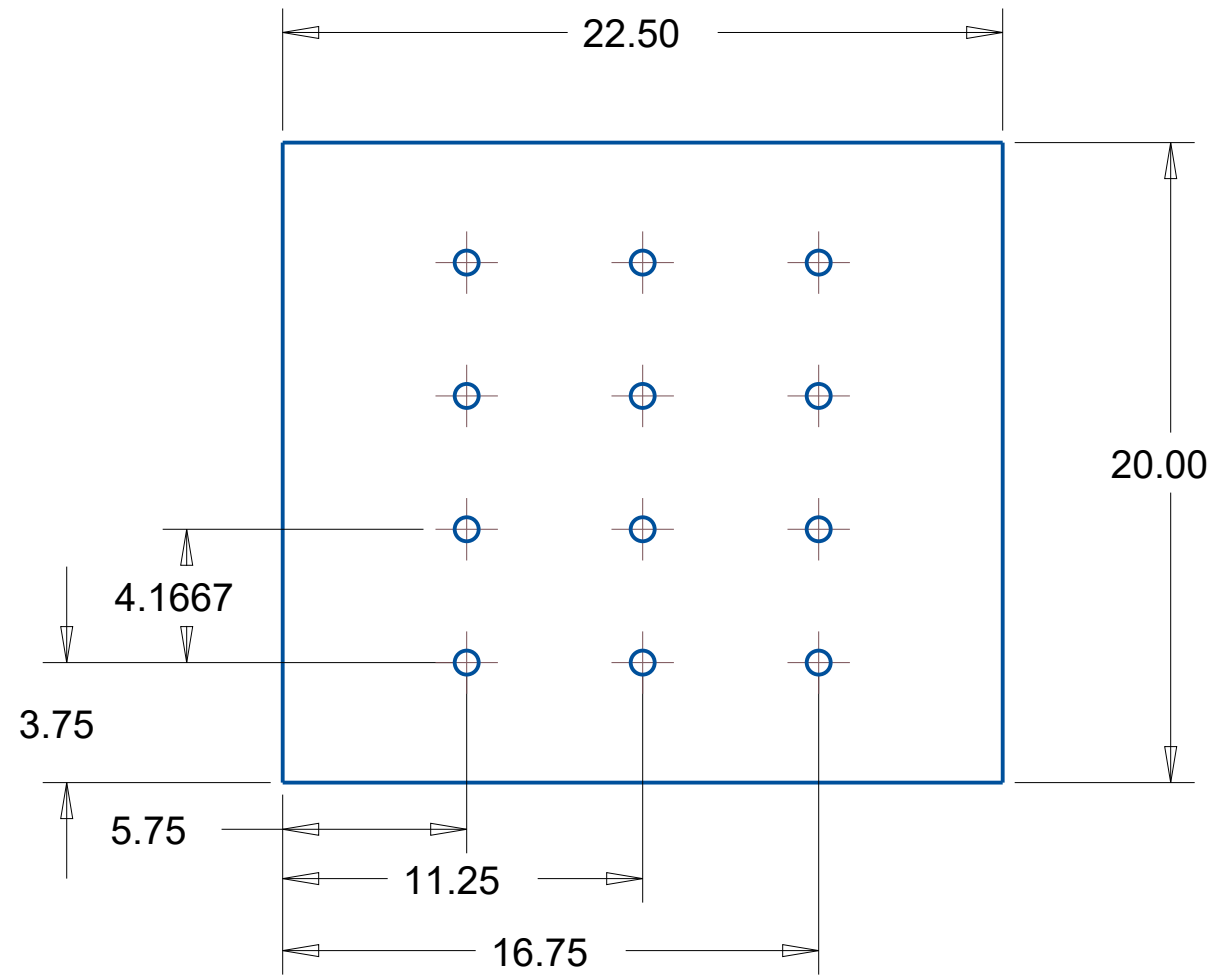


0.001	0.01	0.50	4X_TEST_ASSY	
Erin Twombly		Oct-02-17		
			OVERALL_ASSY	
			0.120	1/13

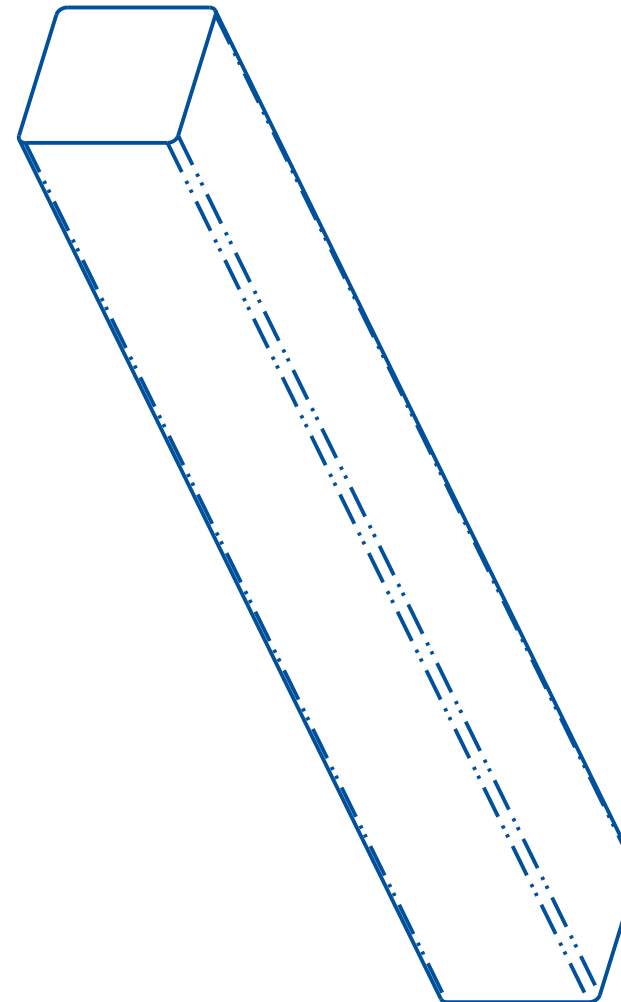
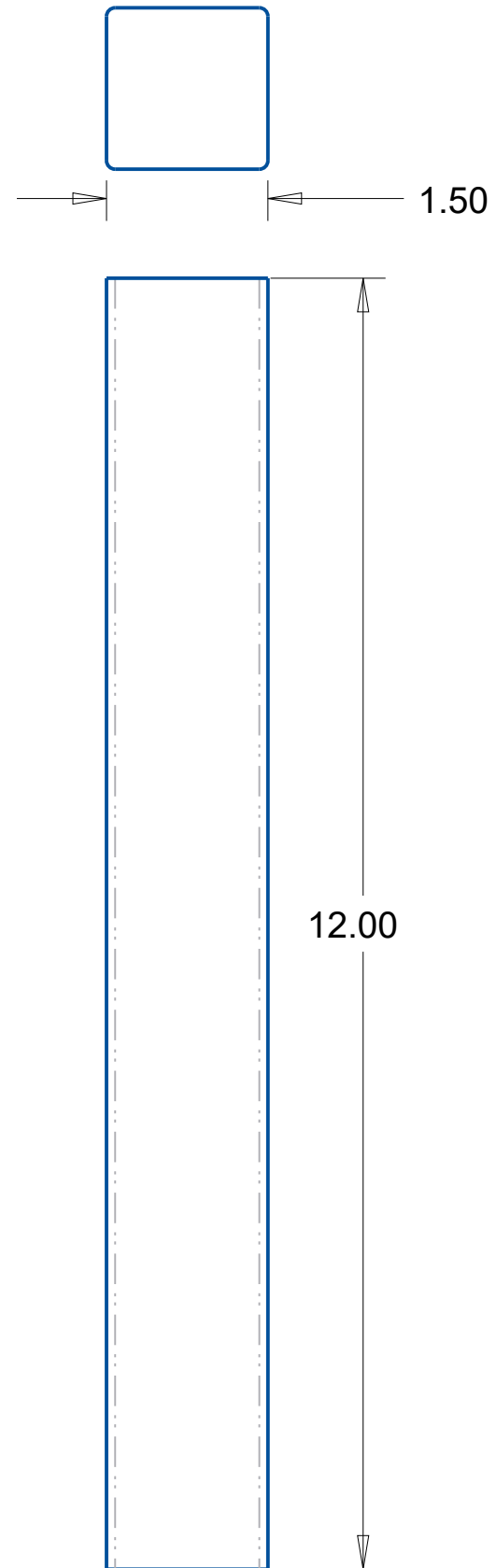
ITEM NO	PART NUMBER	QTY	DESCRIPTION	NOTES
1	BASE	1	base.prt	
2	LEG	4	pvc_leg.prt	1x1"



0.001	0.01	0.50	BASE_SUBASSY	
Erin Twombly		Oct-02-17		
			OVERALL_ASSY	
			0.143	2/13

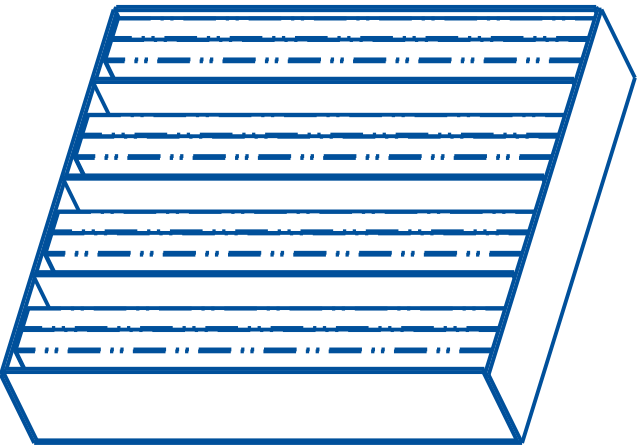
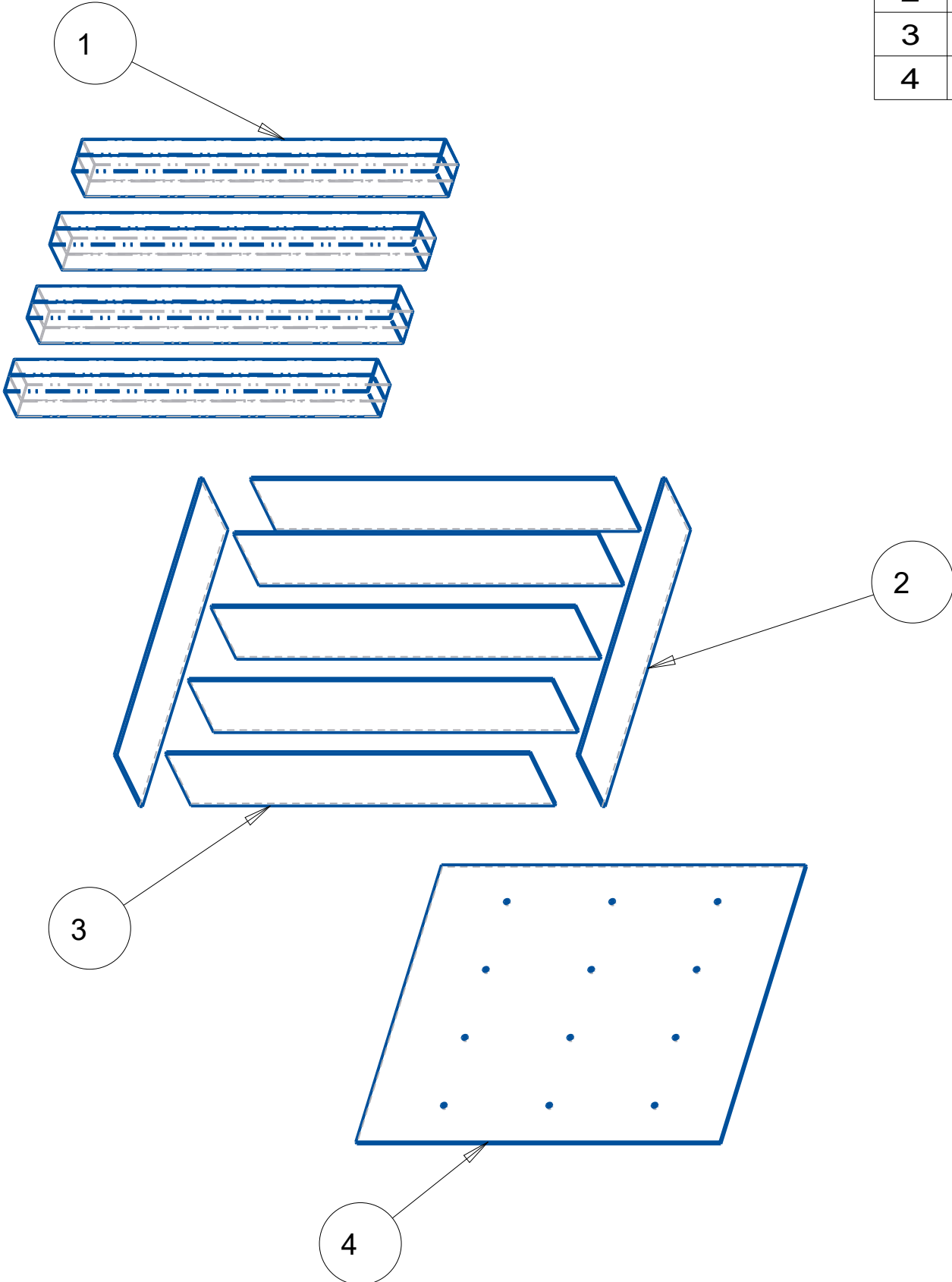


0.001	0.01	0.50	BASE		
Erin Twombly	Oct-02-17				
			0.167	Plywood	3/13

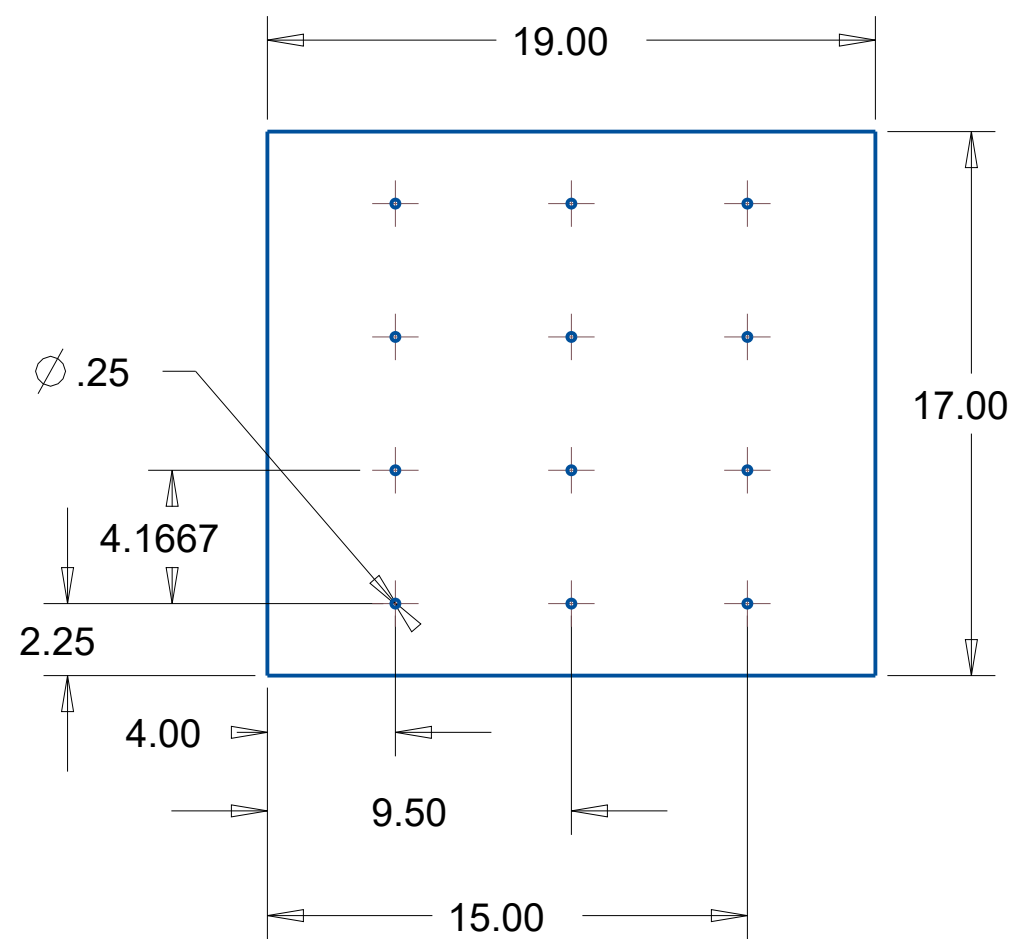


0.001	0.01	0.50	LEG		
Erin Twombly		Oct-02-17			
			OVERALL_ASSY		
			0.600	1x1 Wood	4/13

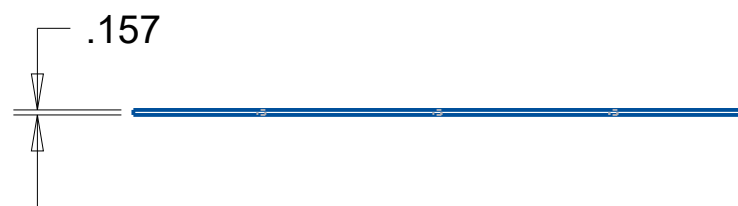
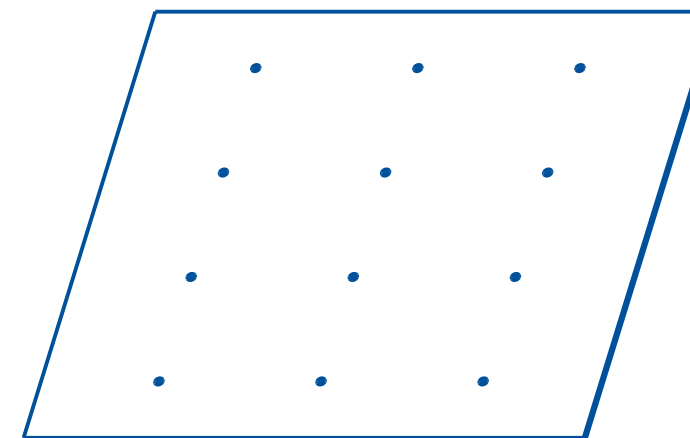
ITEM NO	PART NUMBER	QTY	DESCRIPTION	NOTES
1	RPF	8	rpf.prt	
2	TEST_TRAY_17X4	2	test_tray_18x4.prt	
3	TEST_TRAY_19X4	5	test_tray_20x4.prt	
4	TRAY	1	tray.prt	



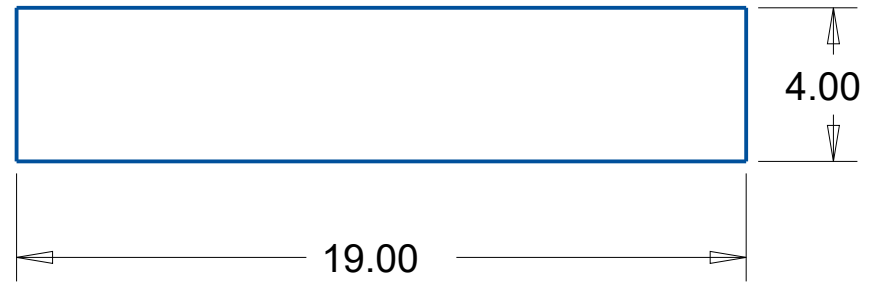
0.001	0.01	0.50	4X_TRAY_SUBASSY	
Erin Twombly		Oct-02-17		
			OVERALL_ASSY	
			0.143	5/13



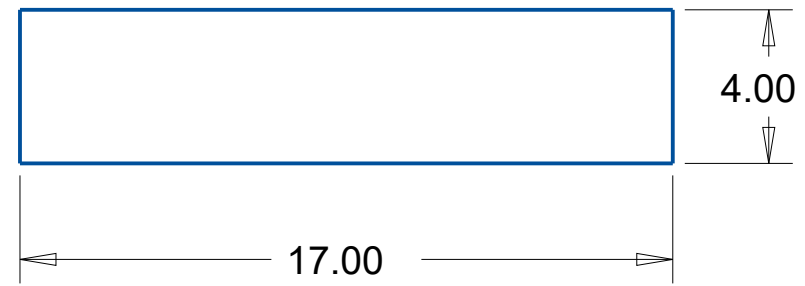
Note:
Spacing across 17" side
is 4 1/6" center to center



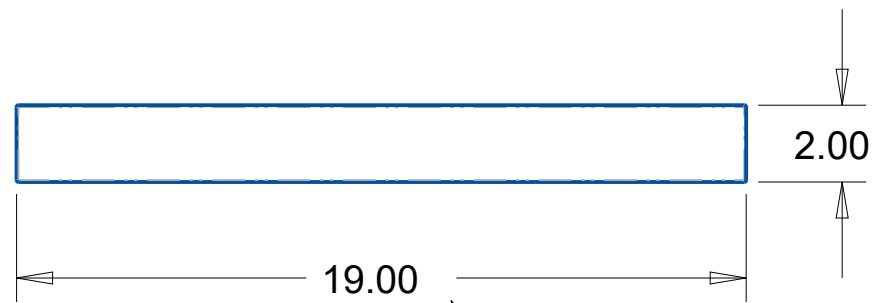
0.001	0.01	0.50	TRAY	
Erin Twombly		Oct-02-17		
			OVERALL_ASSY	
		0.167	Cloroplast	6/13



0.001	0.01	0.50	TEST_TRAY_19X4		
Erin Twombly		Oct-02-17			
			OVERALL_ASSY		
			0.200	Cloroplast	7/13



0.001	0.01	0.50	TEST_TRAY_17X4		
Erin Twombly		Oct-02-17			
			OVERALL_ASSY		
			0.200	Cloroplast	8/13

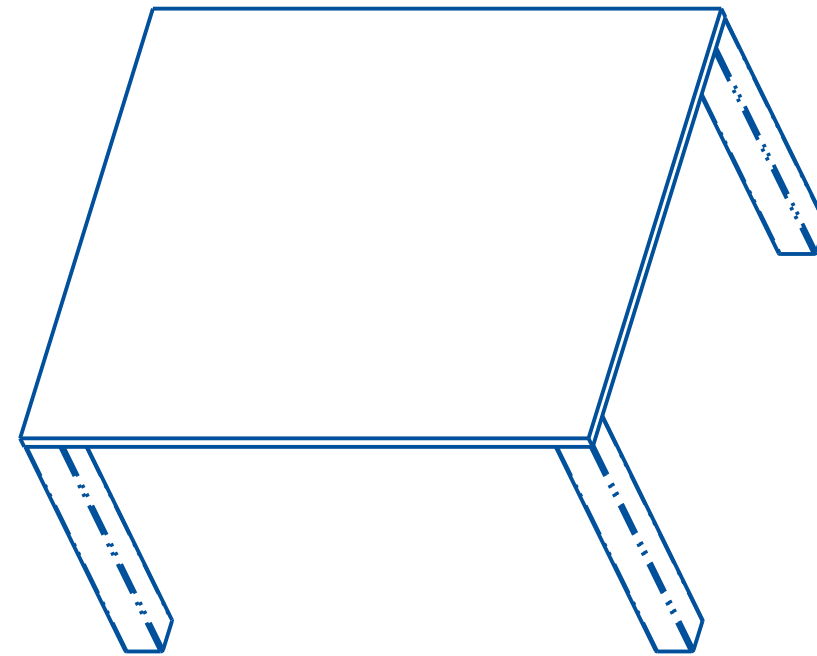
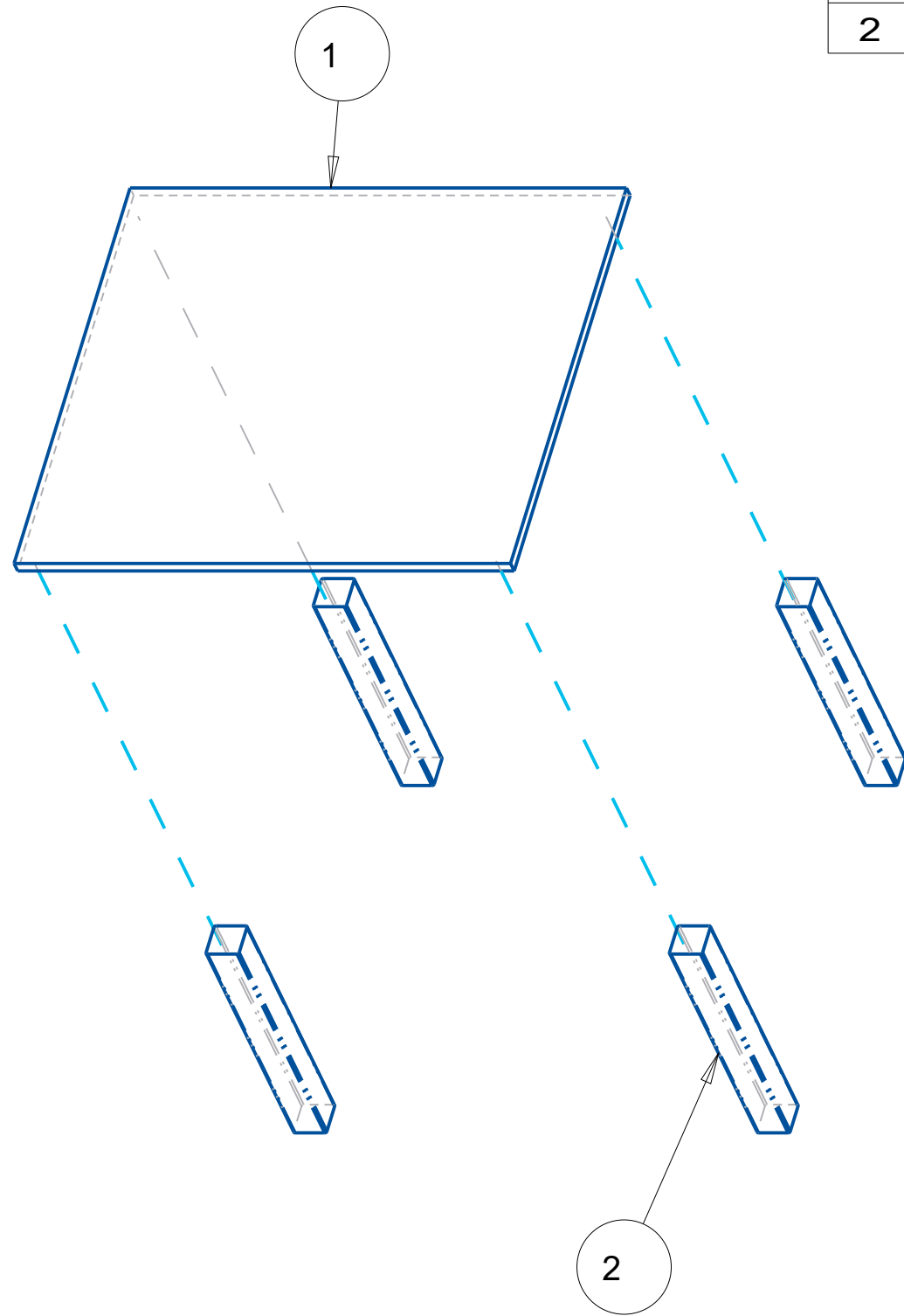


Note: Cut to 19.5 for intentional interference

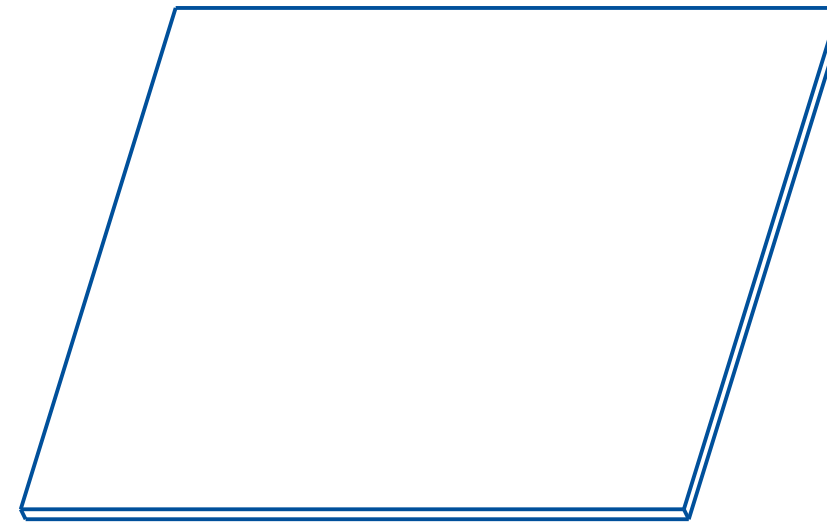
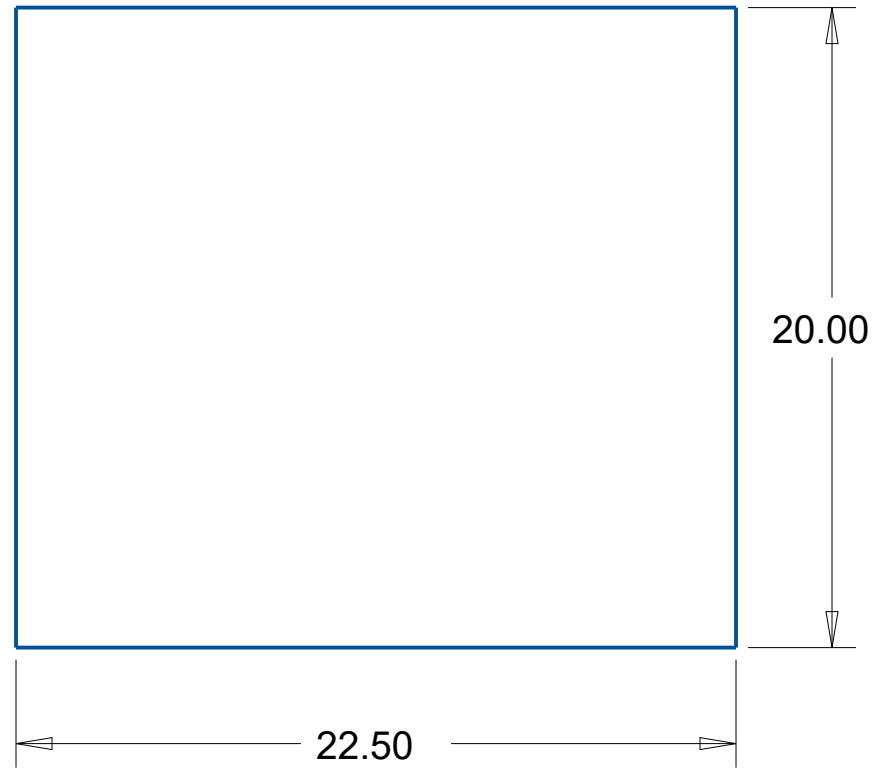


0.001	0.01	0.50	RPF		
Erin Twombly		Oct-02-17			
			OVERALL_ASSY		
			0.200	RPF	9/13

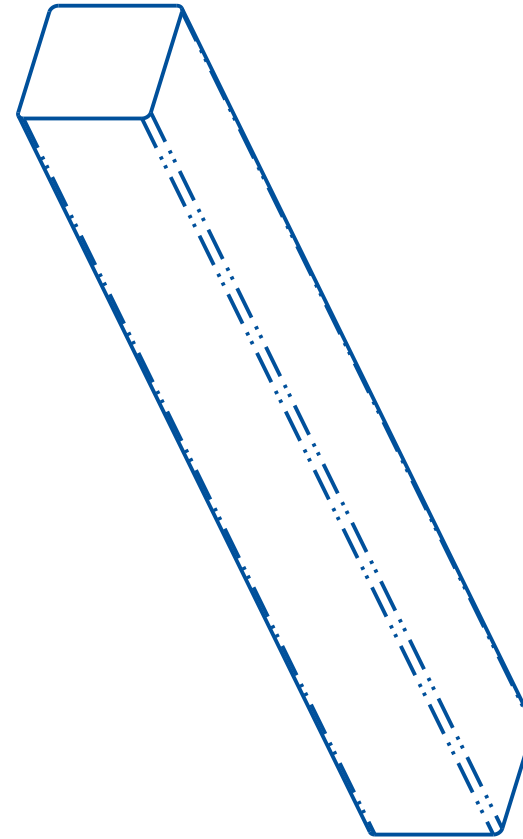
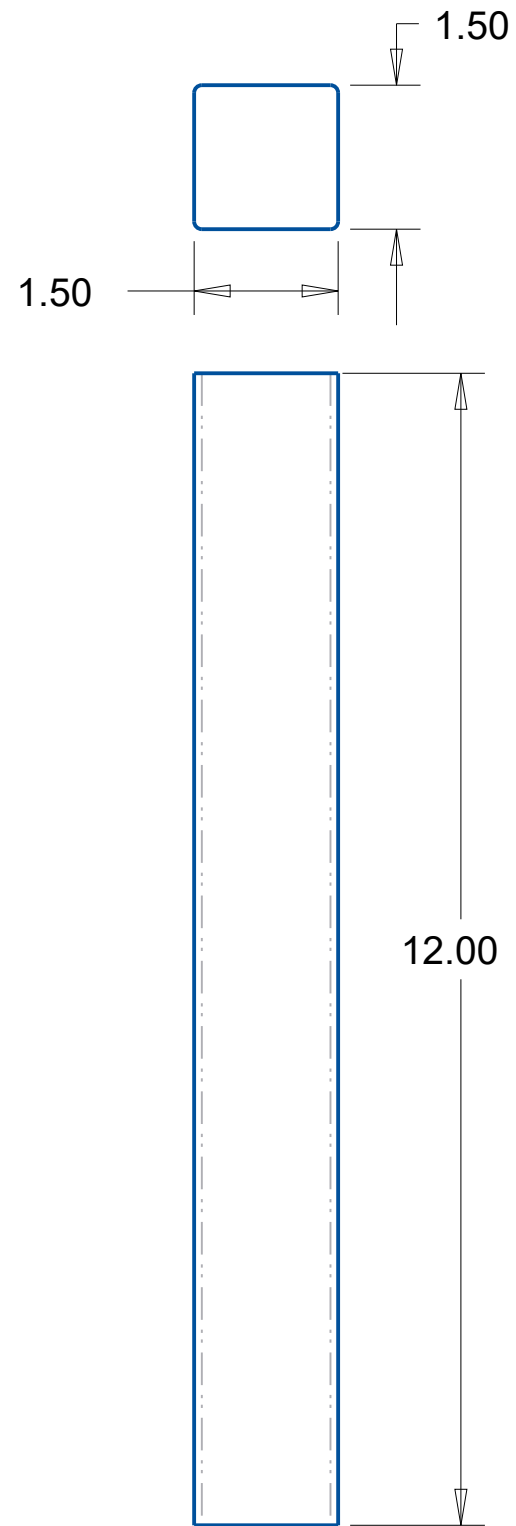
ITEM NO	PART NUMBER	QTY	DESCRIPTION	NOTES
1	LIGHT_BASE	1	light_fixture1.prt	
2	WOOD_LIGHTLEG	4	wood_lightleg.prt	



0.001	0.01	0.50	4X_LIGHT_SUBASSY	
Erin Twombly	Oct-02-17			
			OVERALL_ASSY	
		0.143		10/13

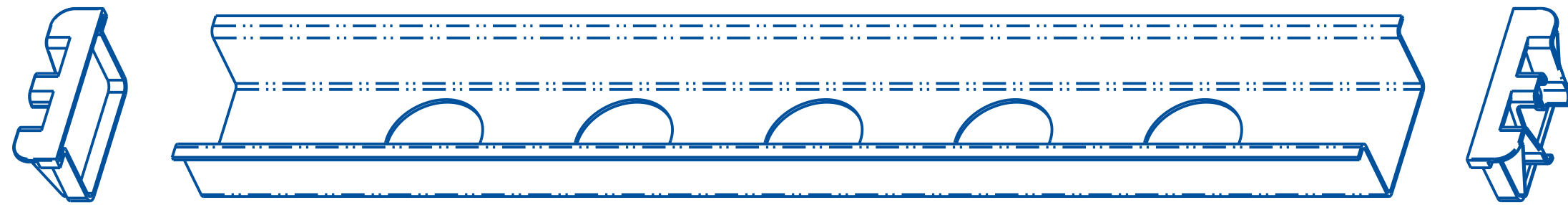


0.001	0.01	0.50	LIGHT_BASE		
Erin Twombly		Oct-02-17			
			OVERALL_ASSY		
			0.167	Plywood	11/13



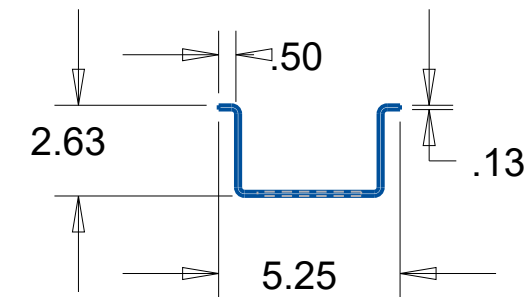
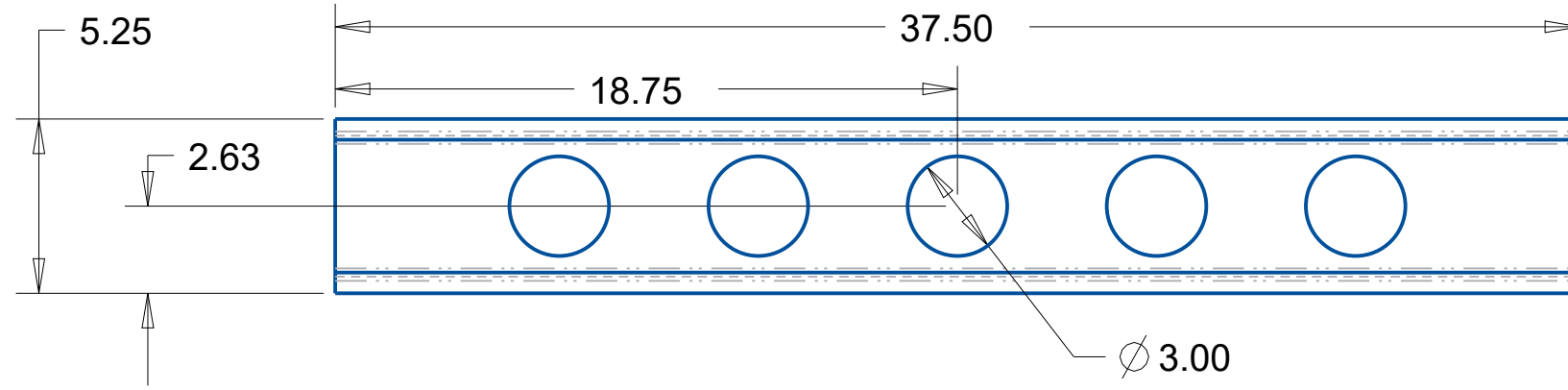
0.001	0.01	0.50	WOOD_LIGHTLEG	
Erin Twombly		Oct-02-17		
			OVERALL_ASSY	
		0.500		

ITEM NO	PART NUMBER	QTY	DESCRIPTION
1	TRAY1	1	tray1.prt
2	UNIVERSAL_END	2	universal_end.prt

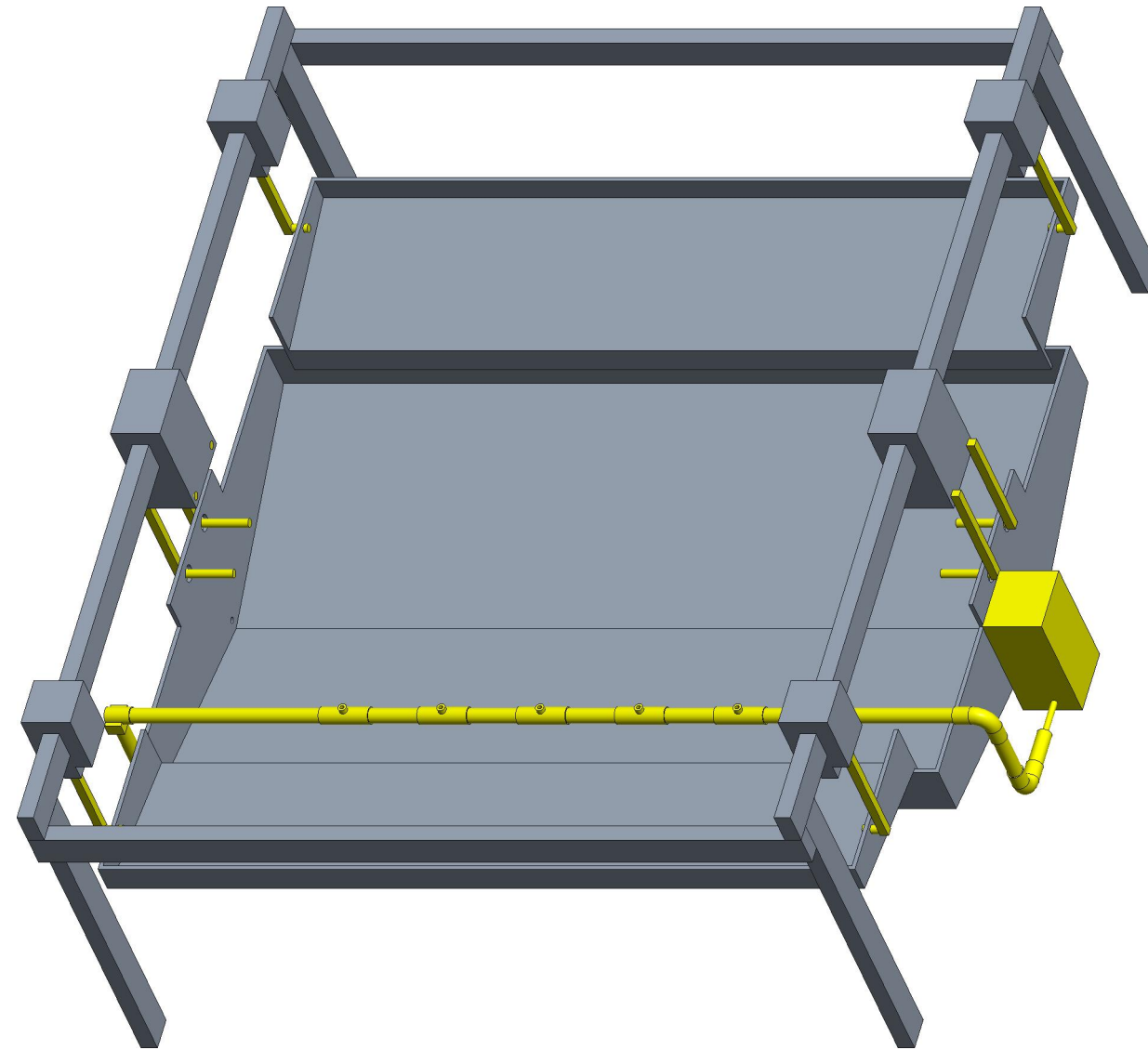


0.001		0.01		0.50		TRAY1	
Erin Twombly		Oct-02-17					
						TRAYDWG	
				0.250		1/2	

Note: Spacing between hole centers is 6.00 measured from center of tray



0.001		0.01	0.50	TRAY1		
			Oct-02-17			
				TRAYDWG		
				0.180		2/2

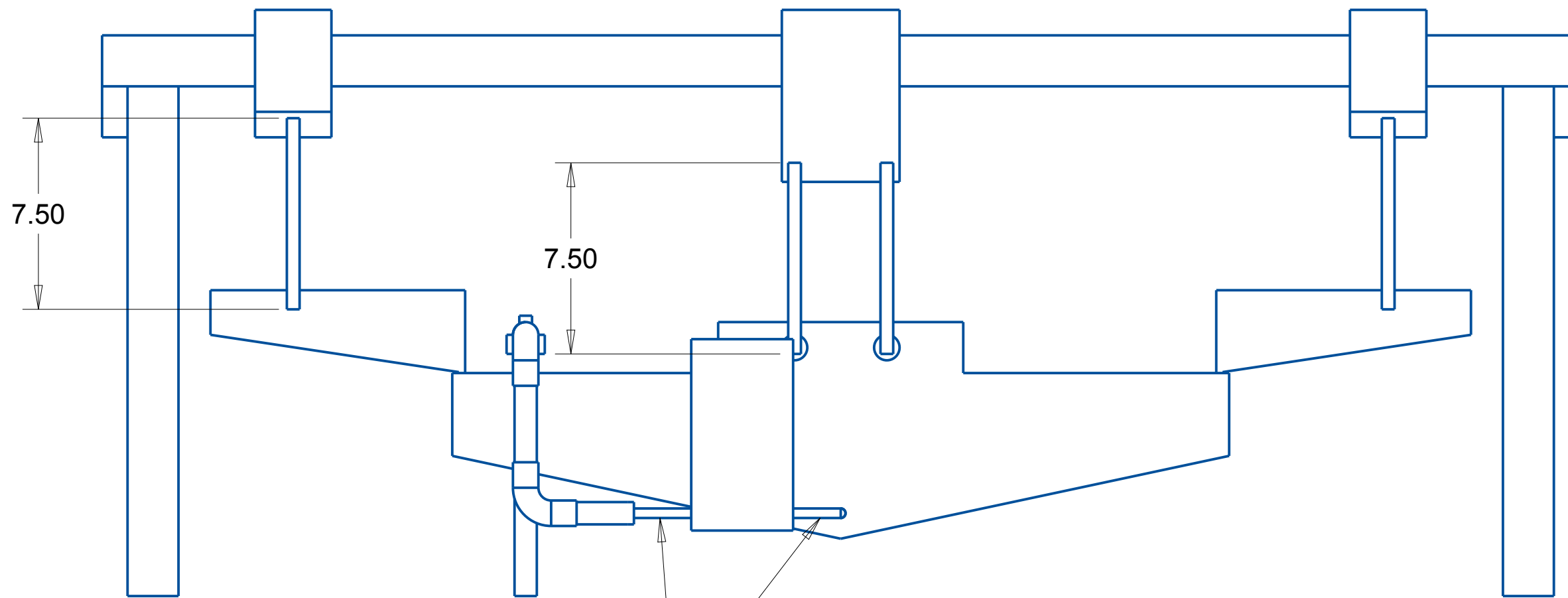


ITEM NO	PART NUMBER	QTY	DESCRIPTION
1	AEROPONICS_DESIGN2	1	aeroponics_design2.asm
2	CENTER_CHAIN	4	center_chain.prt
3	RESERVOIR	1	reservoir.asm
4	RESERVOIR_CENTER_HANGER	2	reservoir_center_hanger.prt
5	RESERVOIR_SIDE_HANGER	4	reservoir_side_hanger.prt
6	SIDE_CHAIN	4	side_chain.prt
7	SUPPORT_FRAME	1	support_frame.asm

* Parts highlighted in yellow represent added components

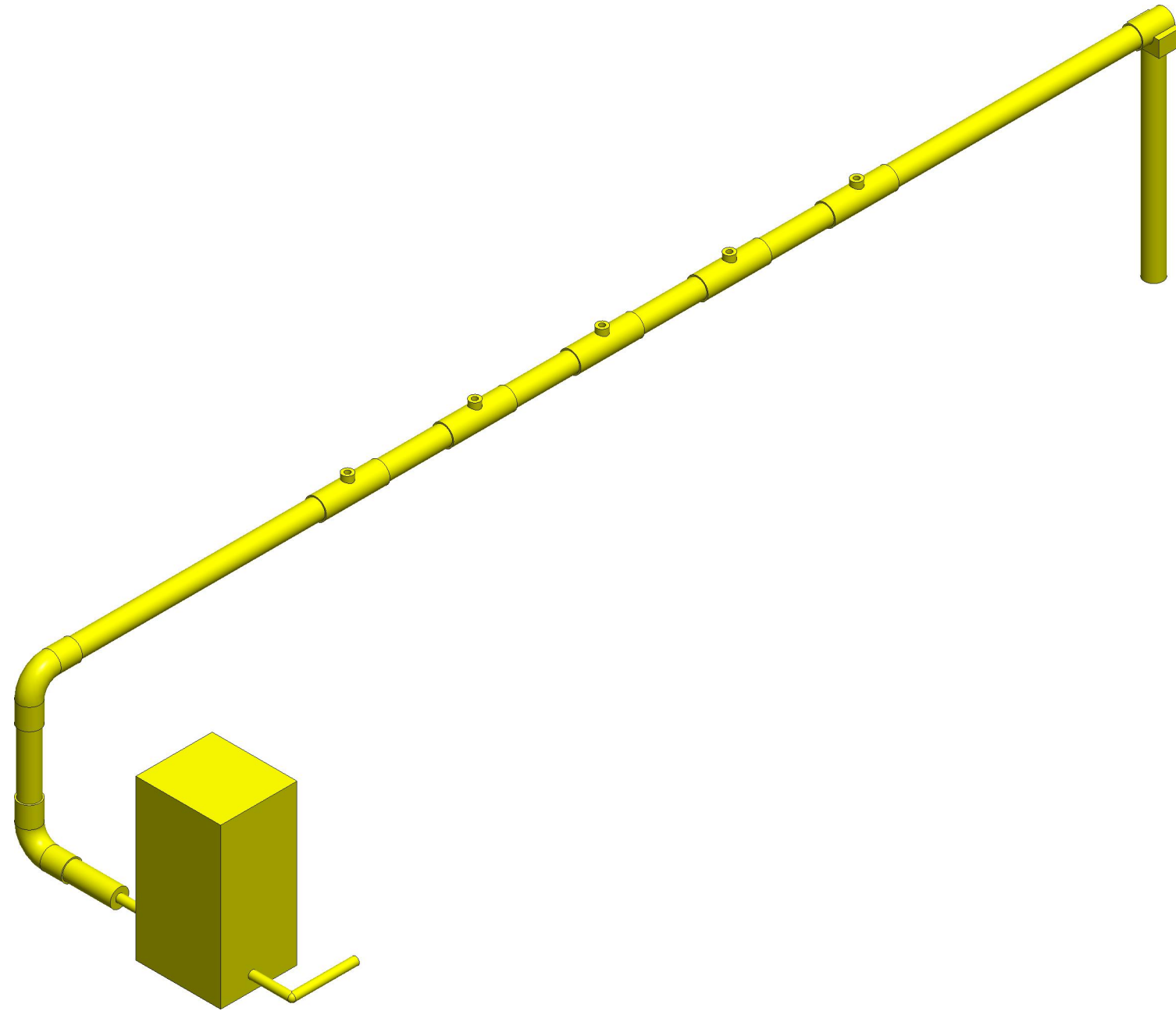
* This drawing does not represent the entire Surculus drawing.

0.001	0.01	0.50	SURCULUS_DRAFT_2	
Giyeon Han		Mar-28-18		
			AEROPONICS	
			0.100	1/4



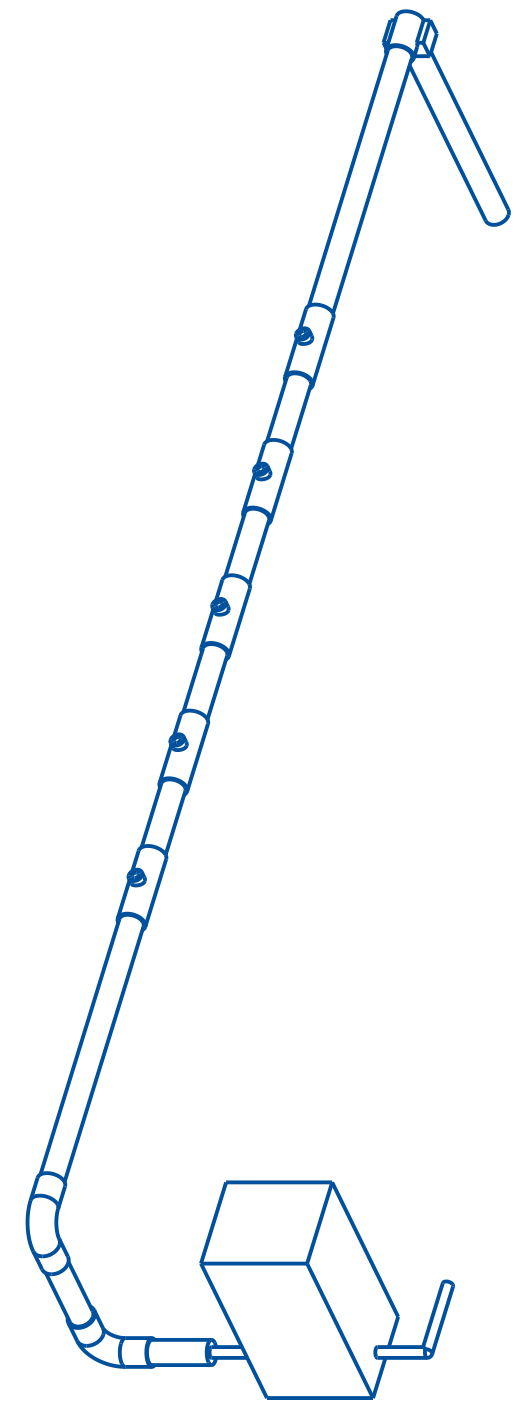
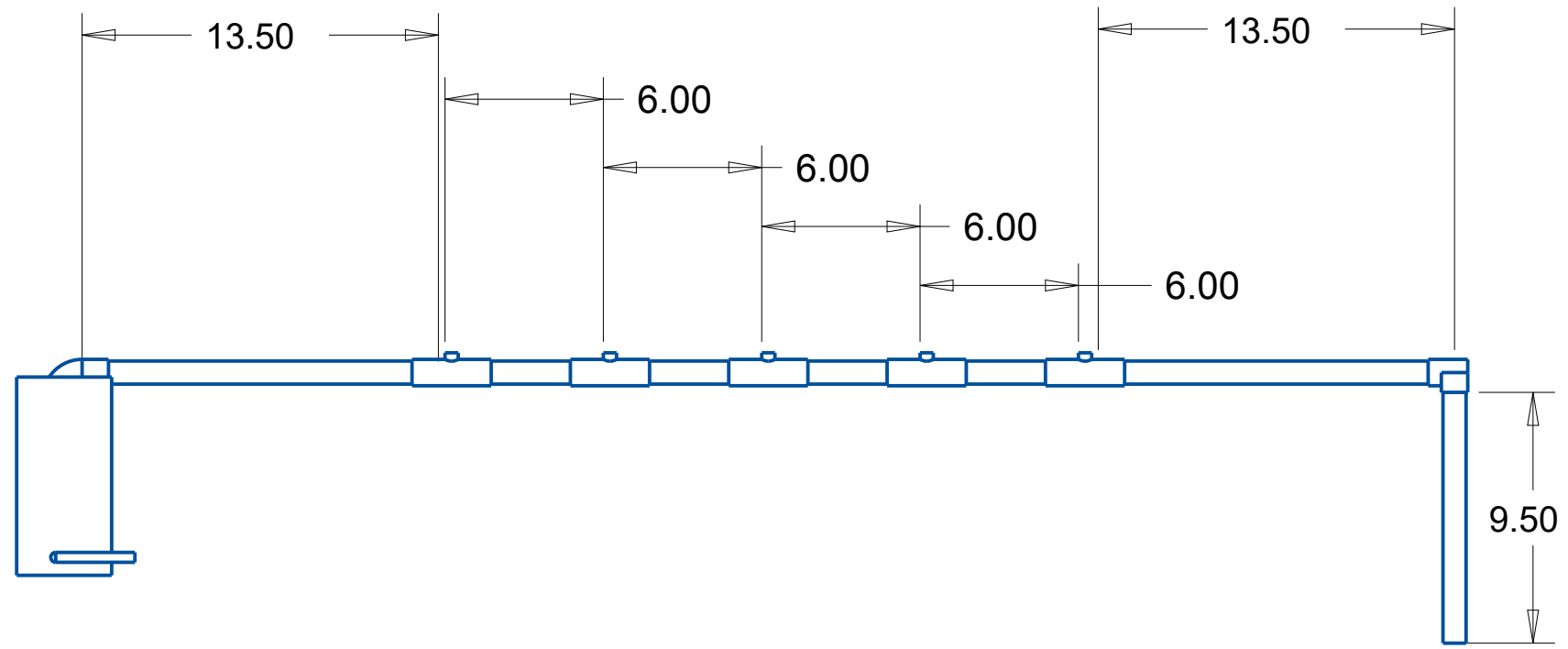
* Tubing length of reservoir to pump and pump to aeroponics system are not accurate, these tubing are flexible.

0.001	0.01	0.50	SURCULUS_DRAFT_2	
Giyeon Han		Mar-28-18		
			AEROPONICS	
			0.200	2/4



ITEM NO	PART NUMBER	QTY	DESCRIPTION
1	AQUATEC_8800	1	aquatec_8800.prt
2	HALF_PIPE	1	half_pipe.prt
3	PUMP_TO_AEROPONICS_ADAPTERS	1	pump_to_aeroponics_adapters.prt
4	PVC_CONNECTOR_NOZZLE	5	pvc_connector_nozzle.prt
5	PVC_ELBOW	2	pvc_elbow.prt
6	PVC_END_CAP	1	pvc_end_cap.prt
7	PVC_PIPE_500	5	pvc_pipe_500.prt
8	PVC_PIPE_950	1	pvc_pipe_950.prt
9	PVC_PIPE_1350	2	pvc_pipe_1350.prt
10	RESERVOIR_TO_PUMP_TUBE	1	reservoir_to_pump_tube.prt

0.001	0.01	0.50	Aeroponics_Design2
Giyeon Han		Mar-28-18	
			AEROPONICS
		0.200	3/4



0.001	0.01	0.50	Aerponics_Design2		
Giyeon Han		Mar-28-18			
			AEROPONICS		
			0.150		4/4