

ELECTRICAL SYSTEM

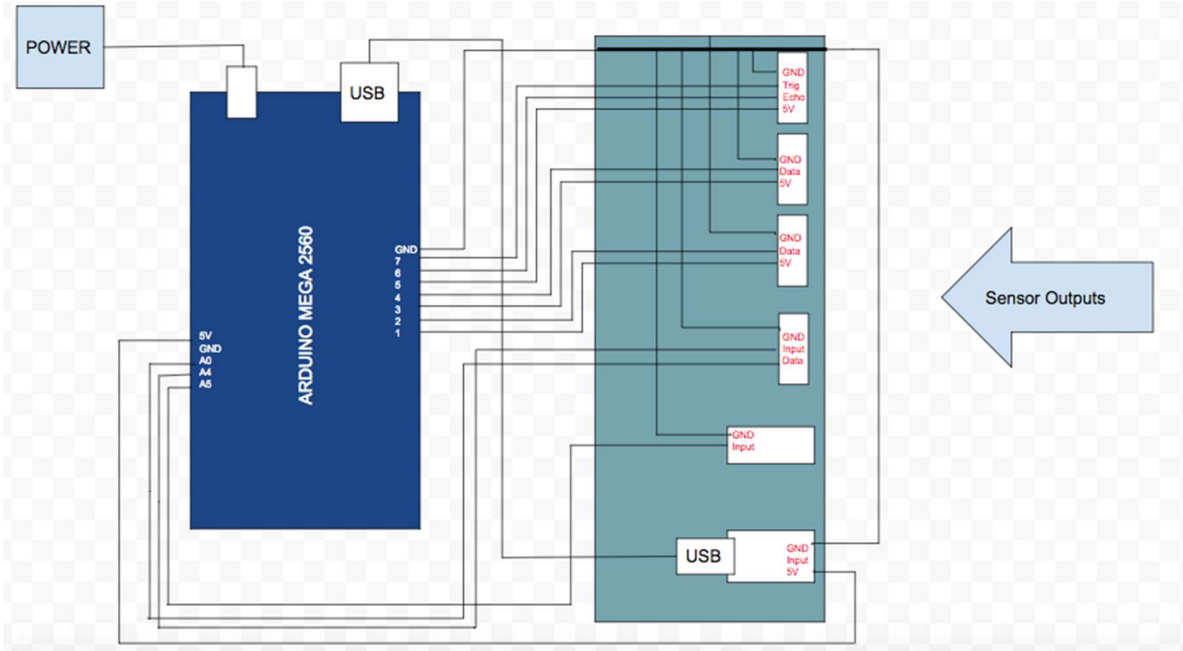


Figure 1. Initial wiring diagram

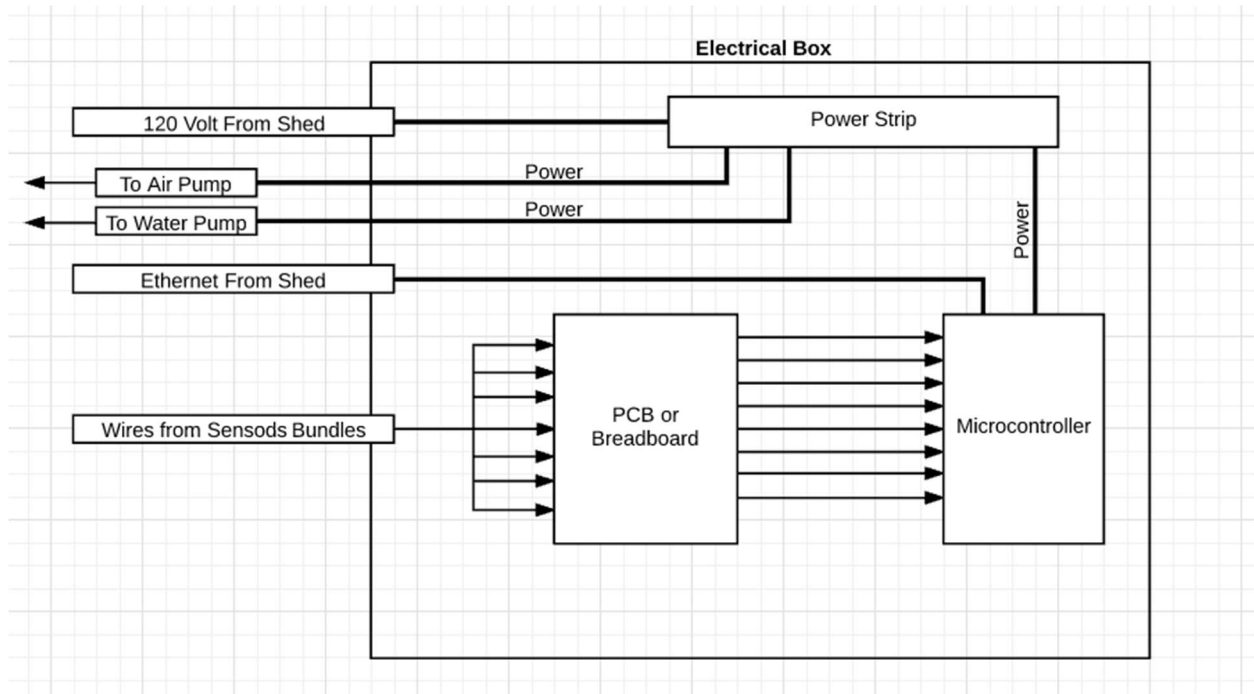


Figure 2. Detailed Design wiring diagram

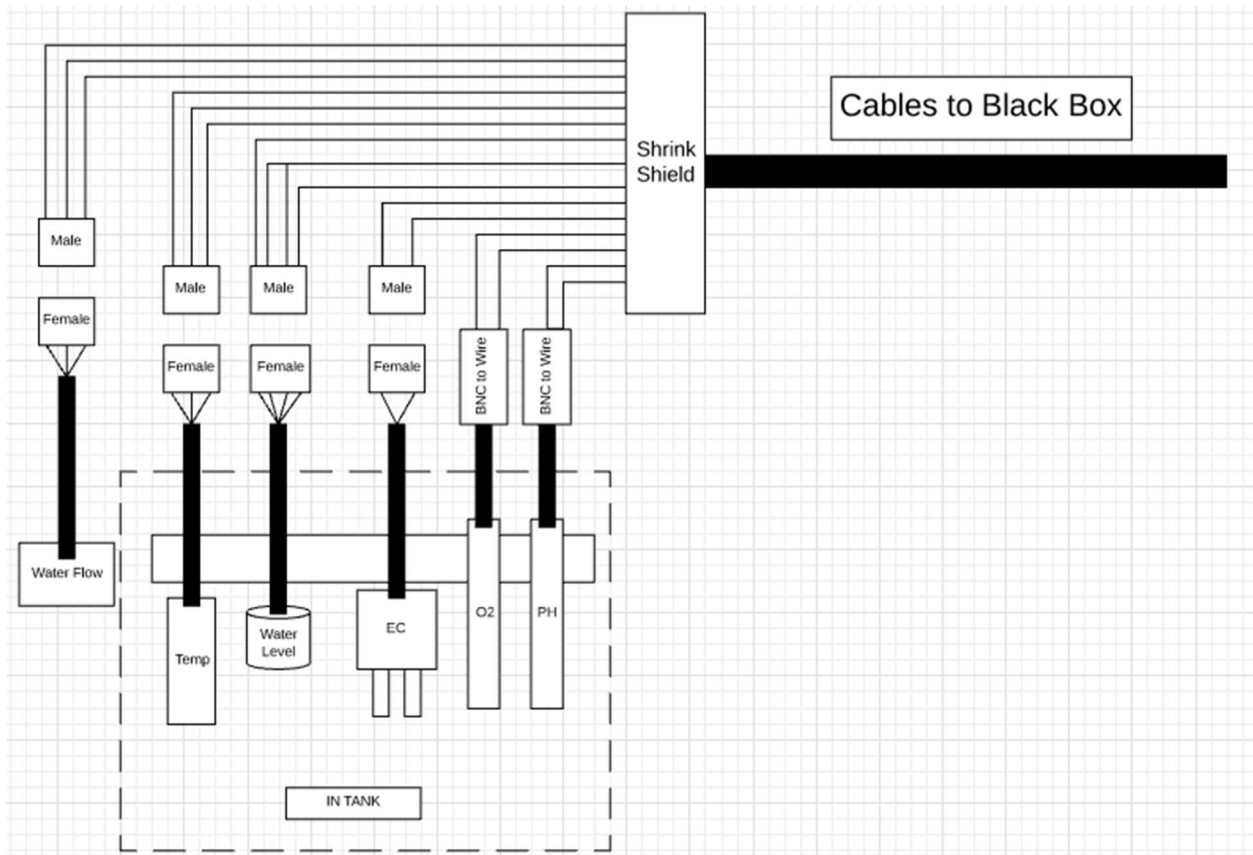


Figure 3. Sensors placement in tank

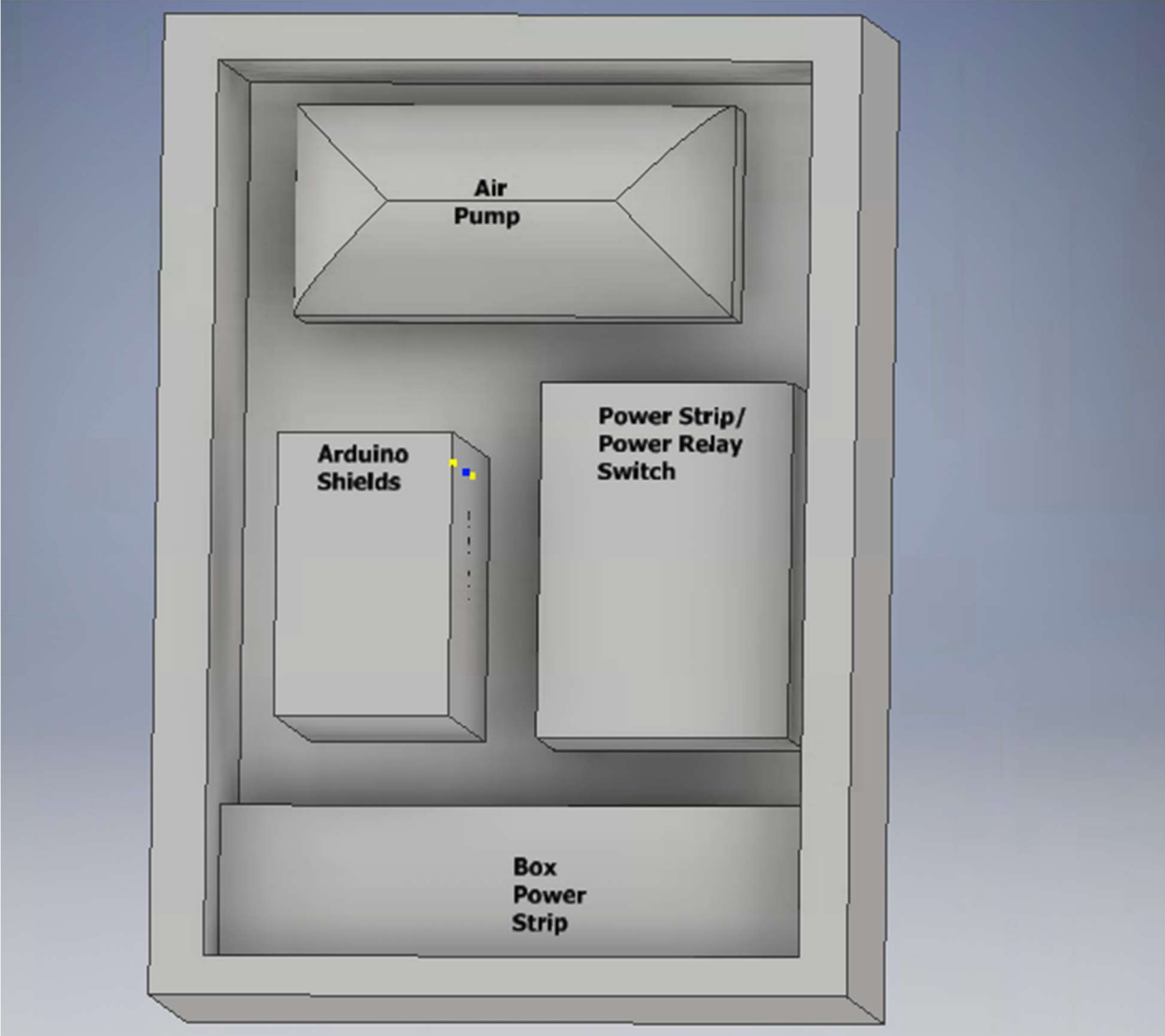


Figure 4. Preliminary layout for electrical box