

6

5

4

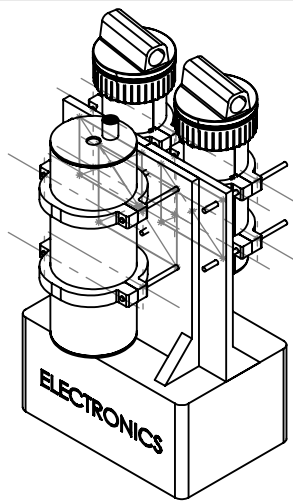
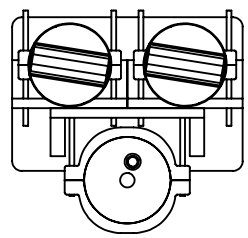
3

2

1

D

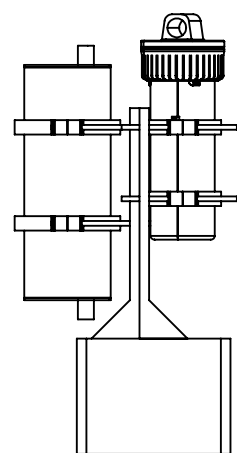
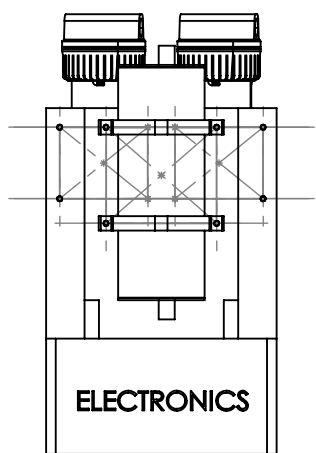
D



ITEM NO.	PART NUMBER	QTY.
1	uv_chamber_assy	1
2	outer_part_for_housing_and_screw	4
3	threaded_rod_part	4
4	backing_assy	1
5	fancy_filter_subassy	2
6	electronics_housing	1

C

C



B

B

UNLESS OTHERWISE SPECIFIED: DIMENSIONS ARE IN MILLIMETERS SURFACE FINISH: TOLERANCES: LINEAR: ANGULAR:			FINISH:		DEBURR AND BREAK SHARP EDGES		DO NOT SCALE DRAWING		REVISION			
					TITLE: <h1>Final_Assembly</h1>							
DRAWN Graham Ardner					NAME		SIGNATURE		DATE		DWG NO.	
CHK'D Phil Sammon												
APPV'D Phil Sammon												
MFG												
Q.A									MATERIAL:		WEIGHT:	
									SCALE:1:10		SHEET 1 OF 1	

6

5

4

3

2

1

A

A

A4