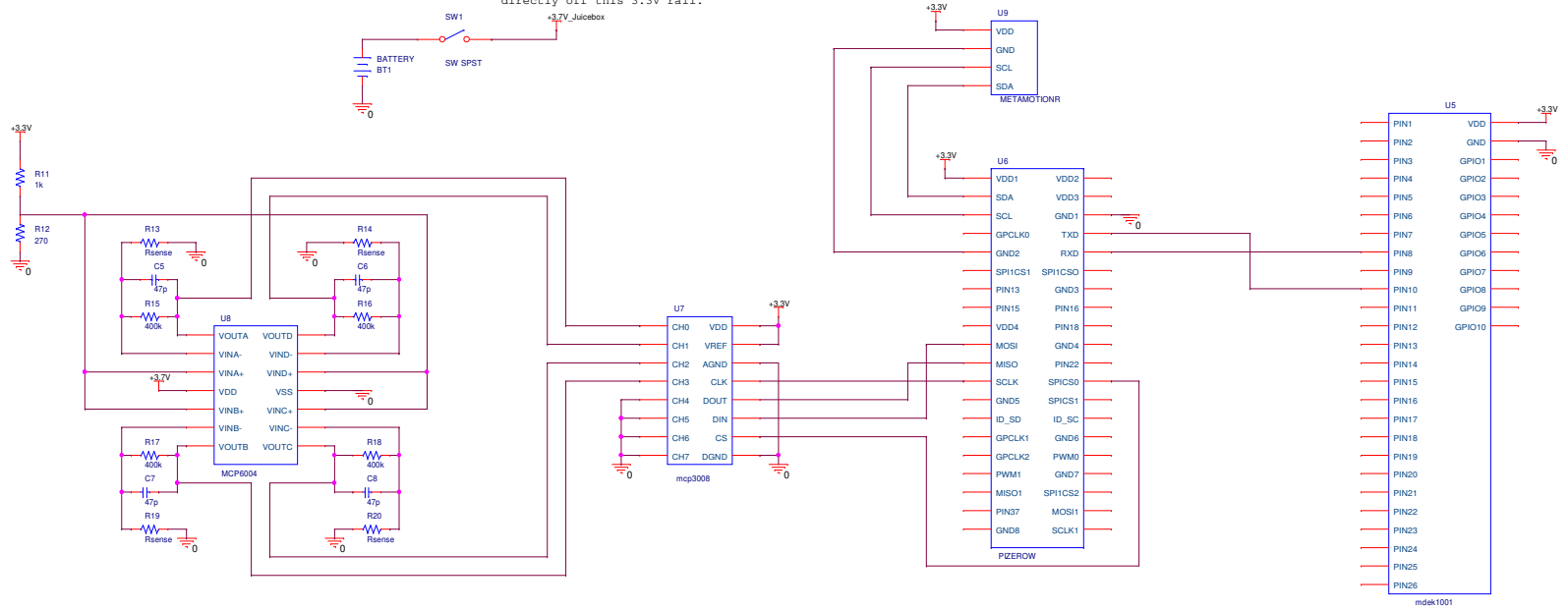


+3.7V Juicebox is the voltage that goes into the jst connector of the juicebox. The juicebox is directly attached to the pi and will supply voltage to the 3.3V rail on the pi. The rest of the components are powered directly off this 3.3V rail.



File	<Title>	
Size	Document Number	Rev
C	<Doc>	<RevCode>
Date:	Thursday, October 10, 2019	Sheet 1 of 1