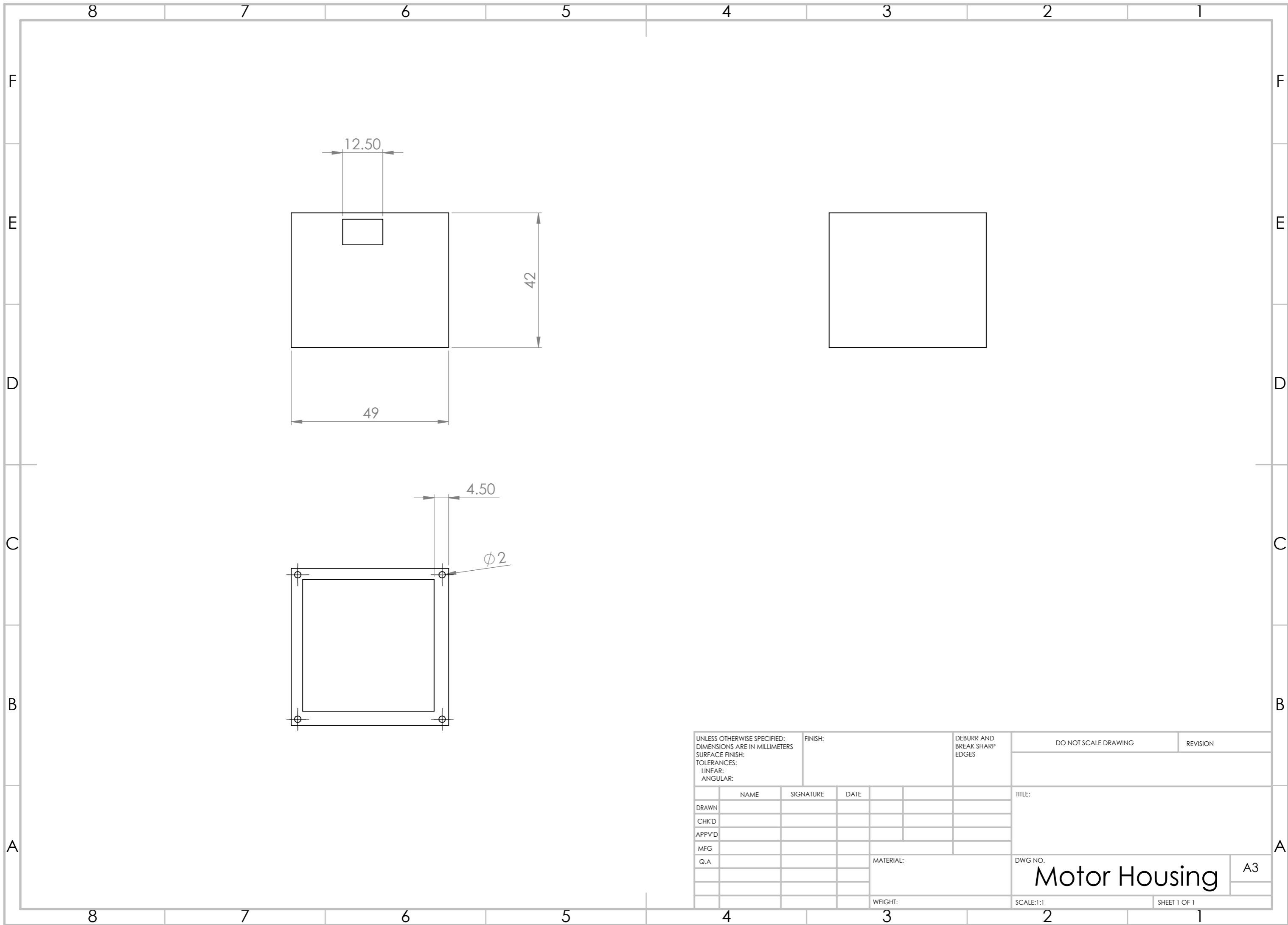
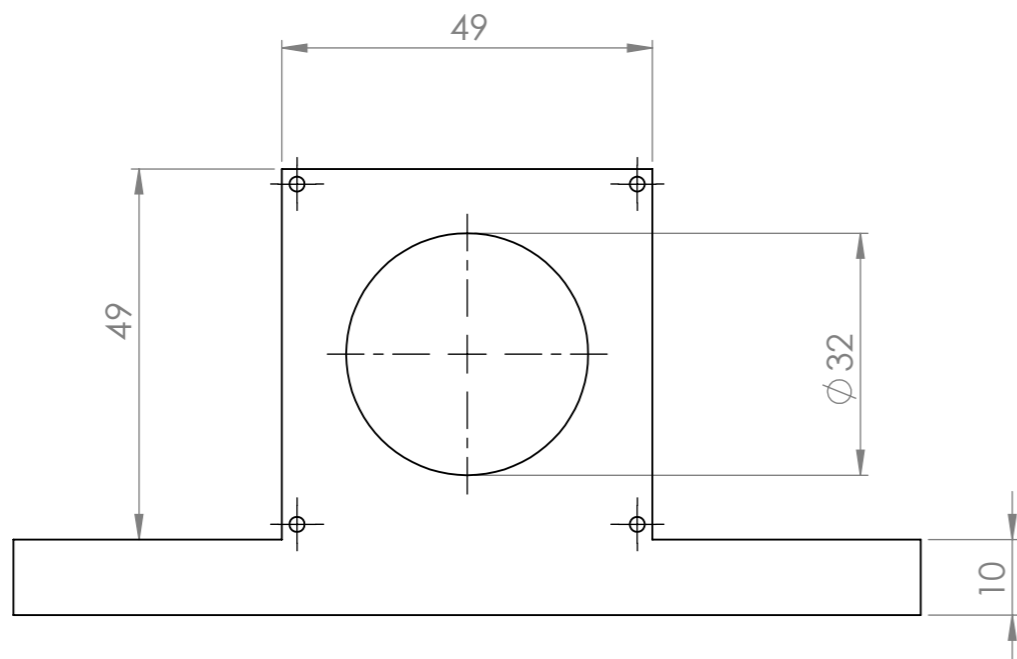
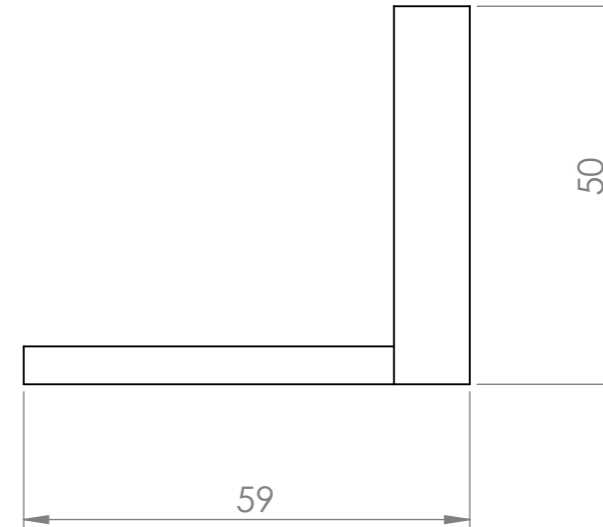
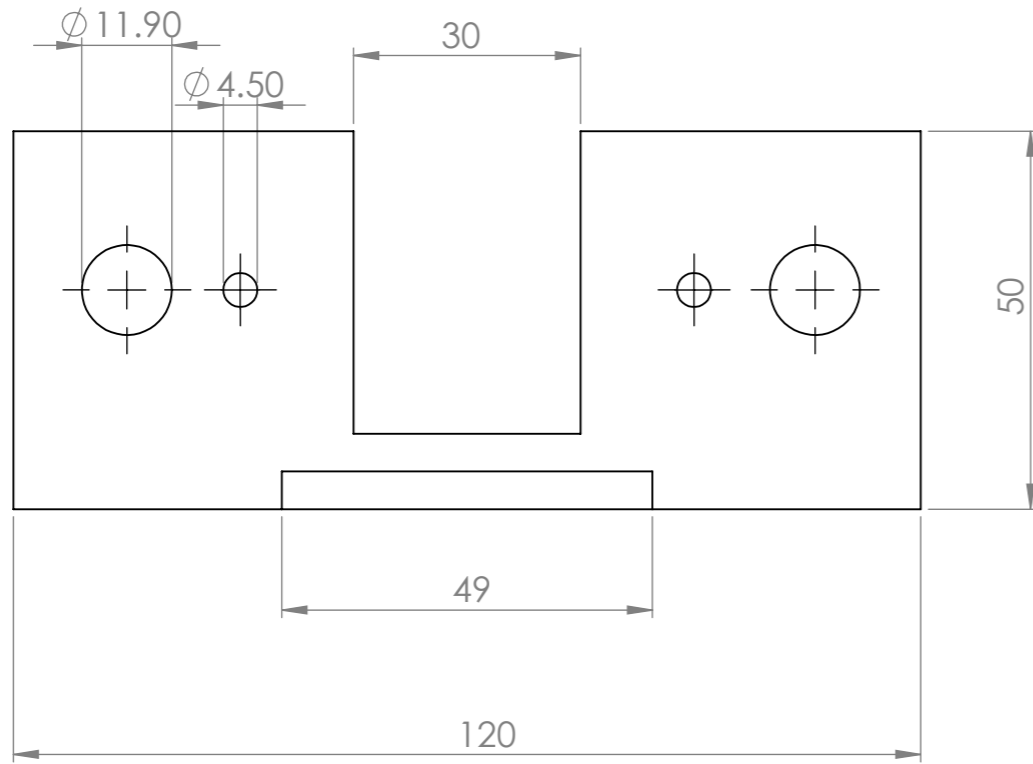


ITEM NO.	PART NUMBER	QTY.
1	Motor Housing	2
2	Motor Housing Front Plate	2
3	Mounting Bracket	4
4	NEMA 17 Stepper Motor	3
5	Horizontal Motor Housing	1
6	Adjustable Mounting Block	2
7	Vertical Guide Rails	4
8	Ball Joint Rod	4
9	Aluminum Dowel	2
10	Timing Belt Pulley	6
11	End Cap	2
12	Touch Apparatus Assembly	1
13	Horizontal Guide Rails	2
14	Horizontal Slider	1
15	Linear Bearing	6

UNLESS OTHERWISE SPECIFIED: DIMENSIONS ARE IN MILLIMETERS SURFACE FINISH: TOLERANCES: LINEAR: ANGULAR:			FINISH:		DEBURR AND BREAK SHARP EDGES		DO NOT SCALE DRAWING		REVISION		
DRAWN			NAME		SIGNATURE		DATE		TITLE:		
CHK'D											
APPV'D											
MFG											
Q.A							MATERIAL:		DWG NO.		
									Final Assembly		
							WEIGHT:		SCALE:1:10		
									SHEET 1 OF 1		
									A3		

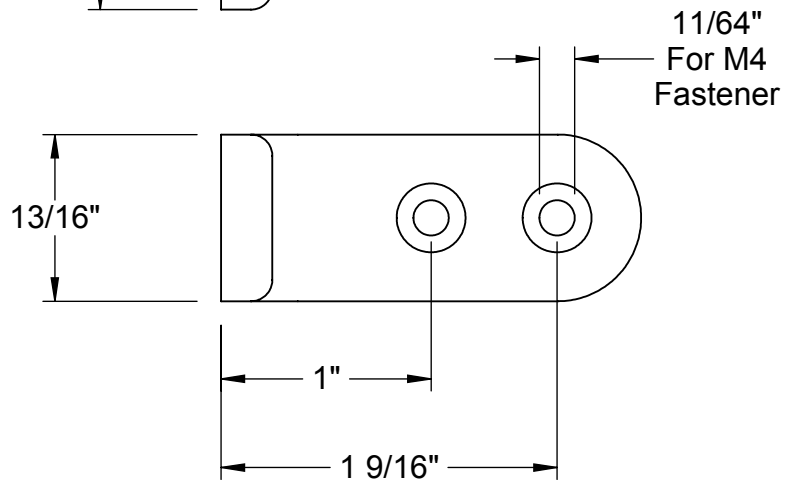
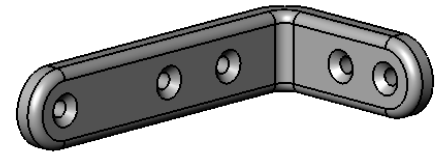
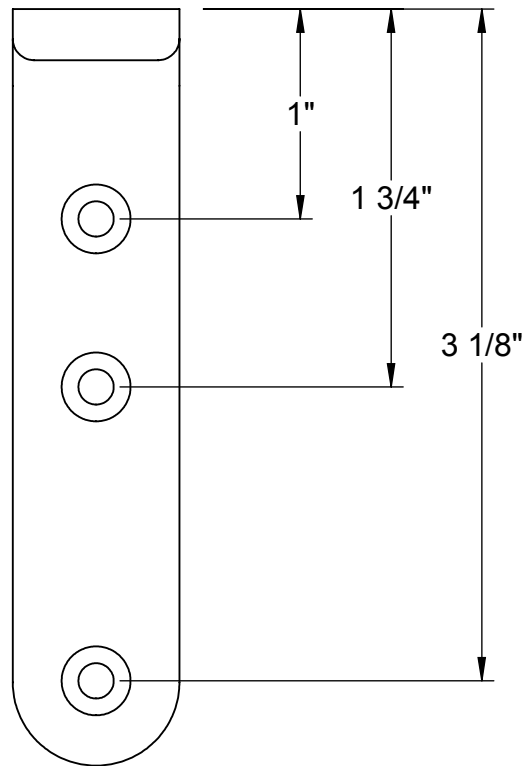
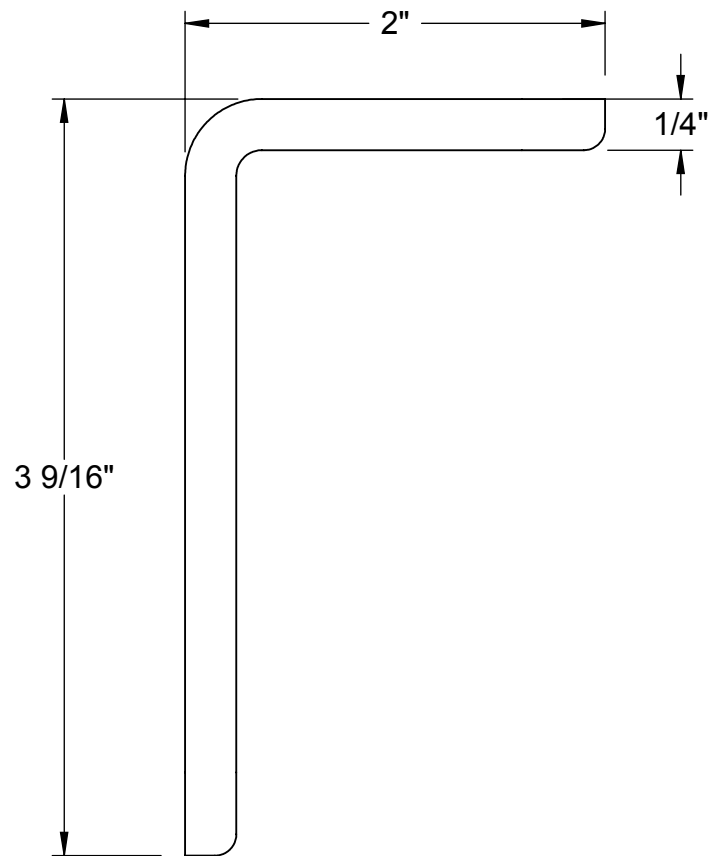


UNLESS OTHERWISE SPECIFIED: DIMENSIONS ARE IN MILLIMETERS			FINISH:		DEBURR AND BREAK SHARP EDGES		DO NOT SCALE DRAWING		REVISION	
SURFACE FINISH:										
TOLERANCES:										
LINEAR:										
ANGULAR:										
	NAME	SIGNATURE	DATE				TITLE:			
DRAWN										
CHK'D										
APPV'D										
MFG										
Q.A							MATERIAL:		DWG NO.	
									Motor Housing	
									A3	
							WEIGHT:		SCALE:1:1	
									SHEET 1 OF 1	



UNLESS OTHERWISE SPECIFIED: DIMENSIONS ARE IN MILLIMETERS SURFACE FINISH: TOLERANCES: LINEAR: ANGULAR:			FINISH:		DEBURR AND BREAK SHARP EDGES		DO NOT SCALE DRAWING		REVISION		
DRAWN			NAME		SIGNATURE		DATE		TITLE:		
CHK'D											
APPV'D											
MFG											
Q.A							MATERIAL:		DWG NO.		
									A3		
							WEIGHT:		SCALE:1:1		
									SHEET 1 OF 1		

# Motor Housing Front Plate



**McMASTER-CARR** CAD

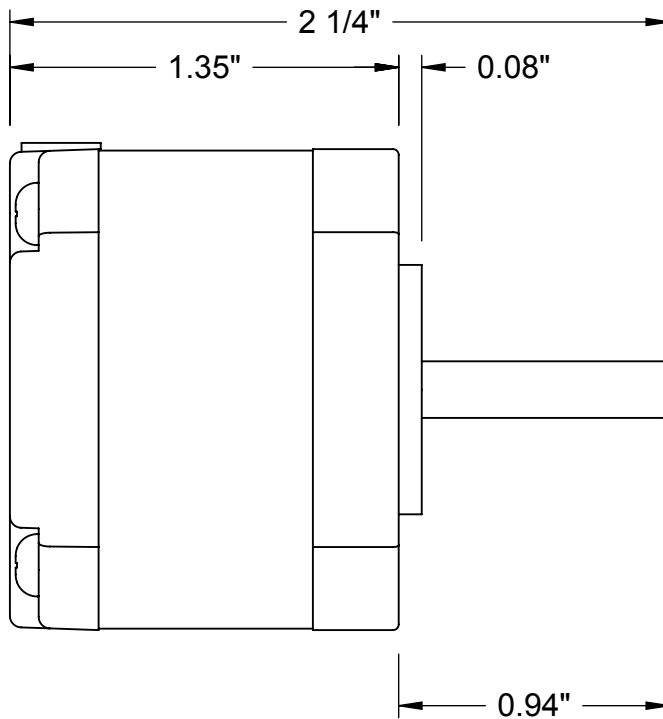
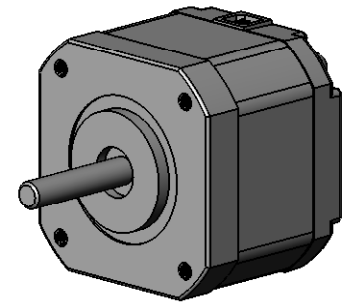
PART  
NUMBER

**15655A41**

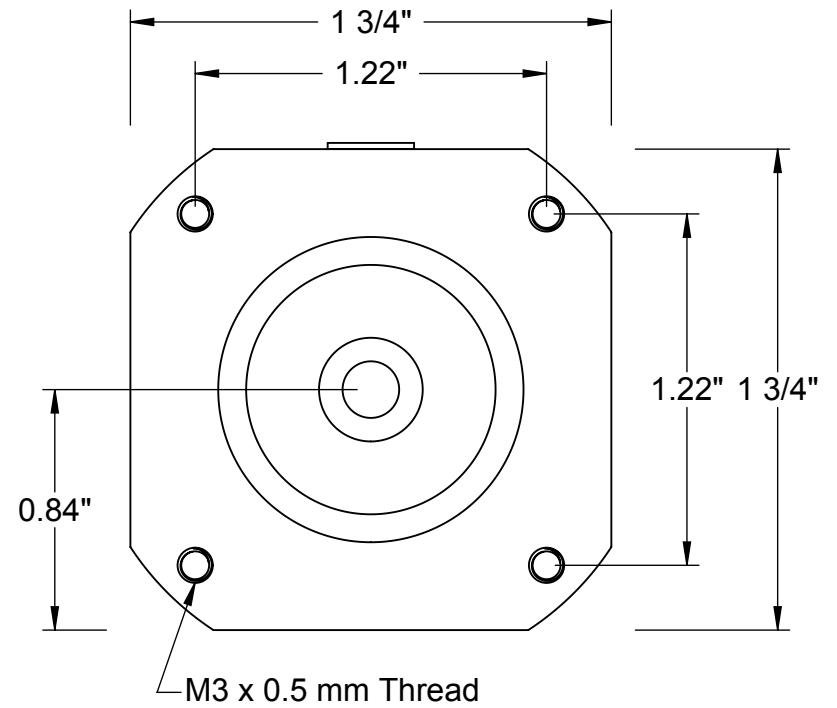
<http://www.mcmaster.com>  
© 2017 McMaster-Carr Supply Company

Corner  
Bracket

Information in this drawing is provided for reference only.



0.2"  
Shaft  
Dia.



**McMASTER-CARR** CAD

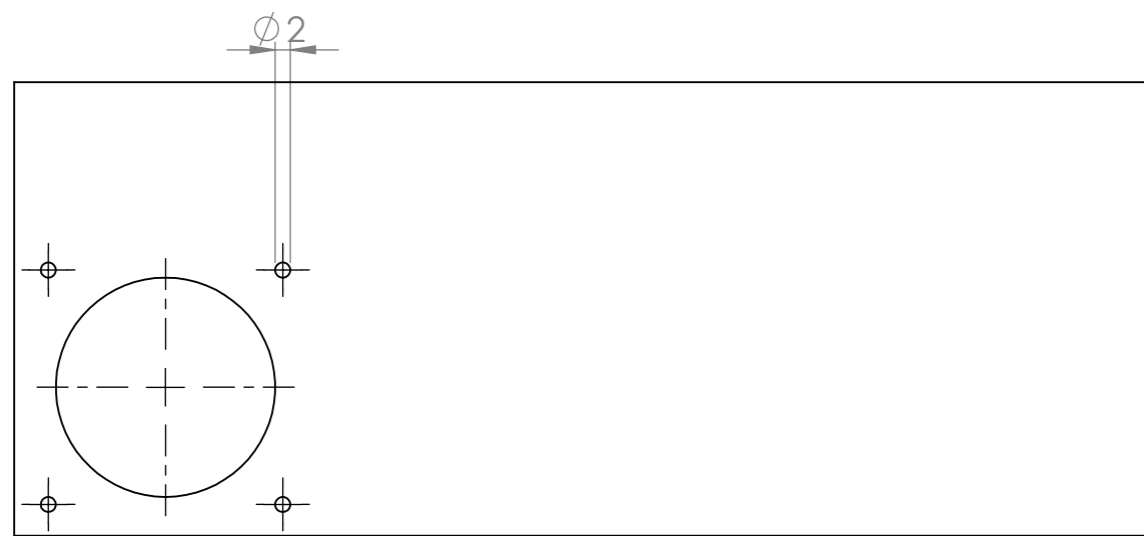
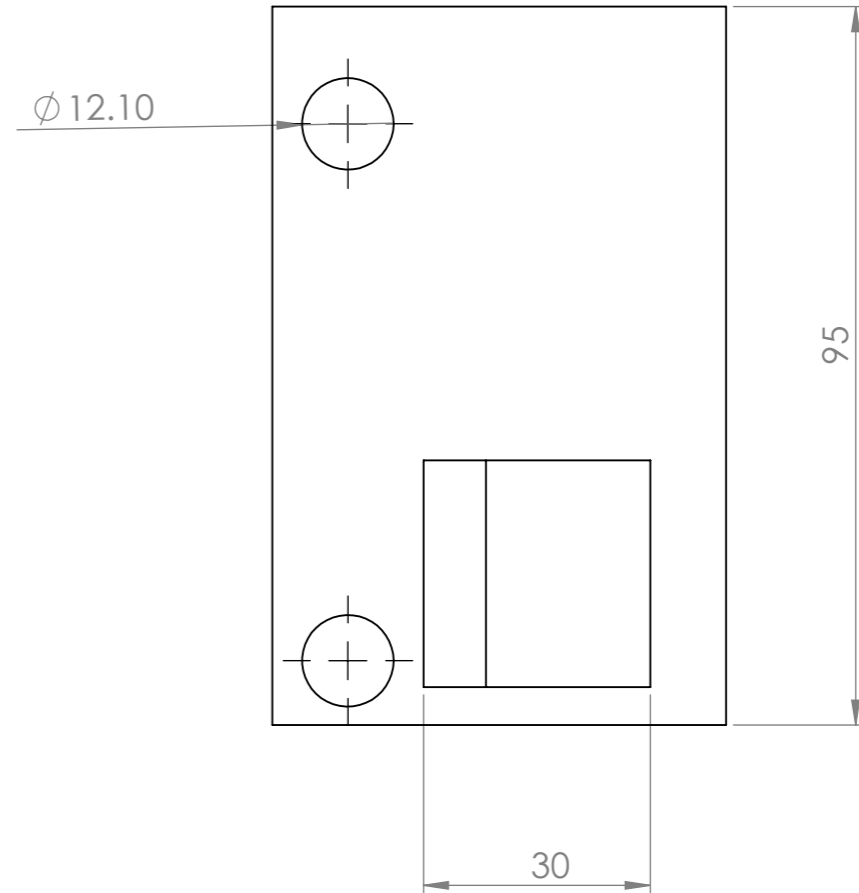
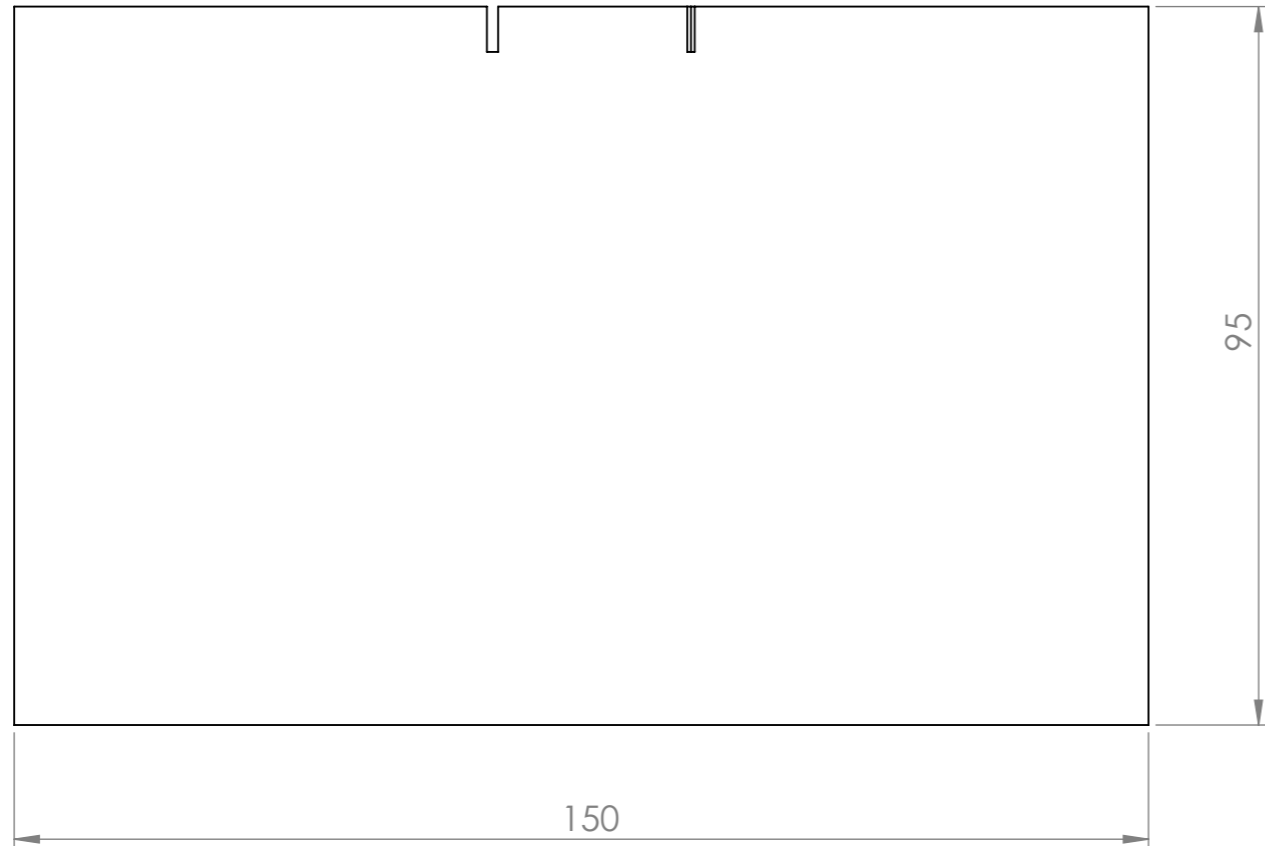
PART  
NUMBER

**6627T66**

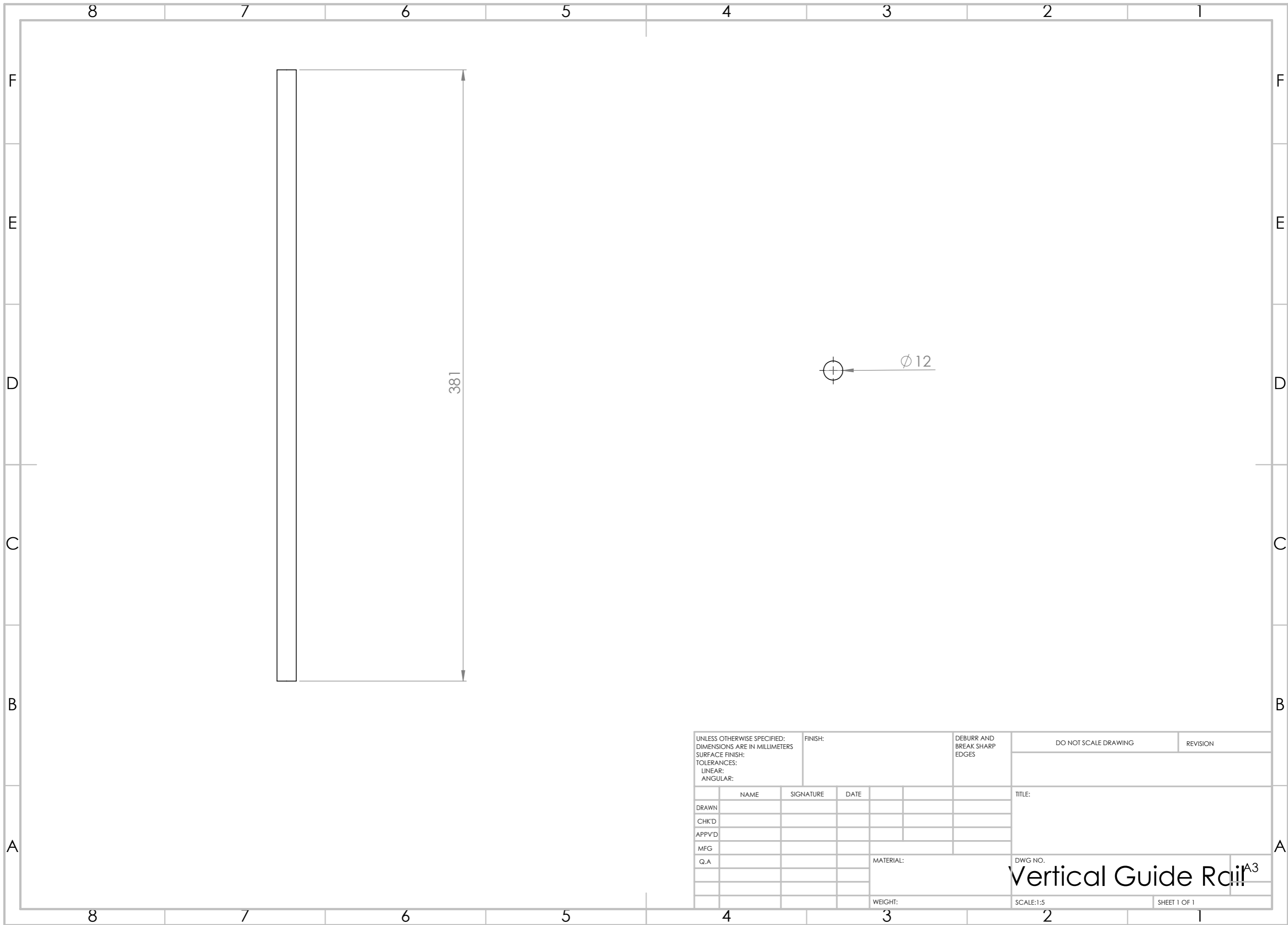
<http://www.mcmaster.com>  
© 2015 McMaster-Carr Supply Company

Position-Control  
DC Motor

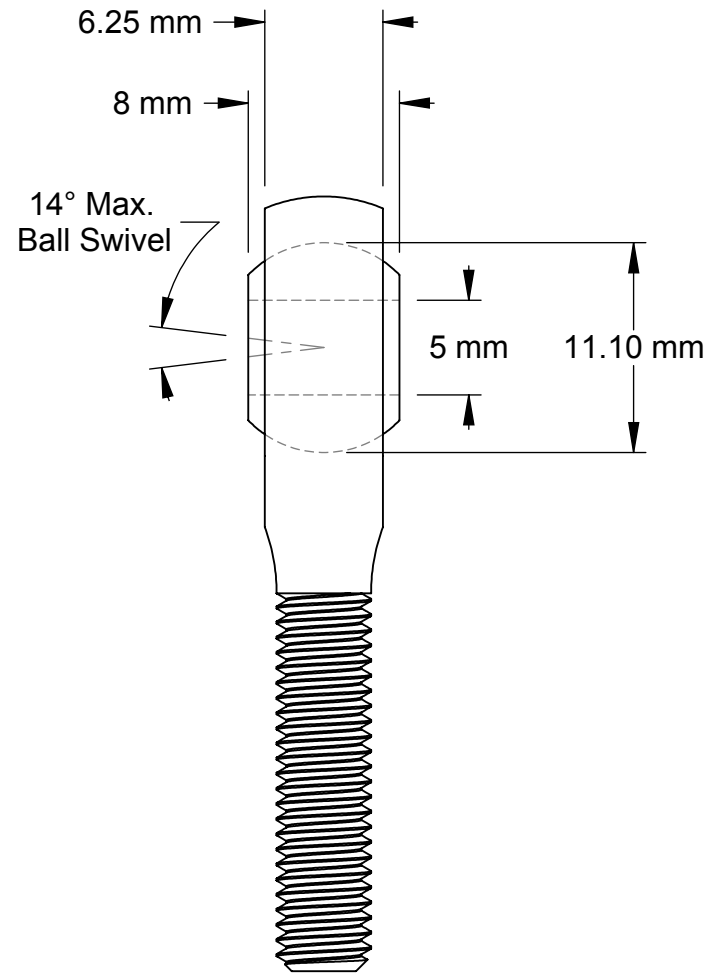
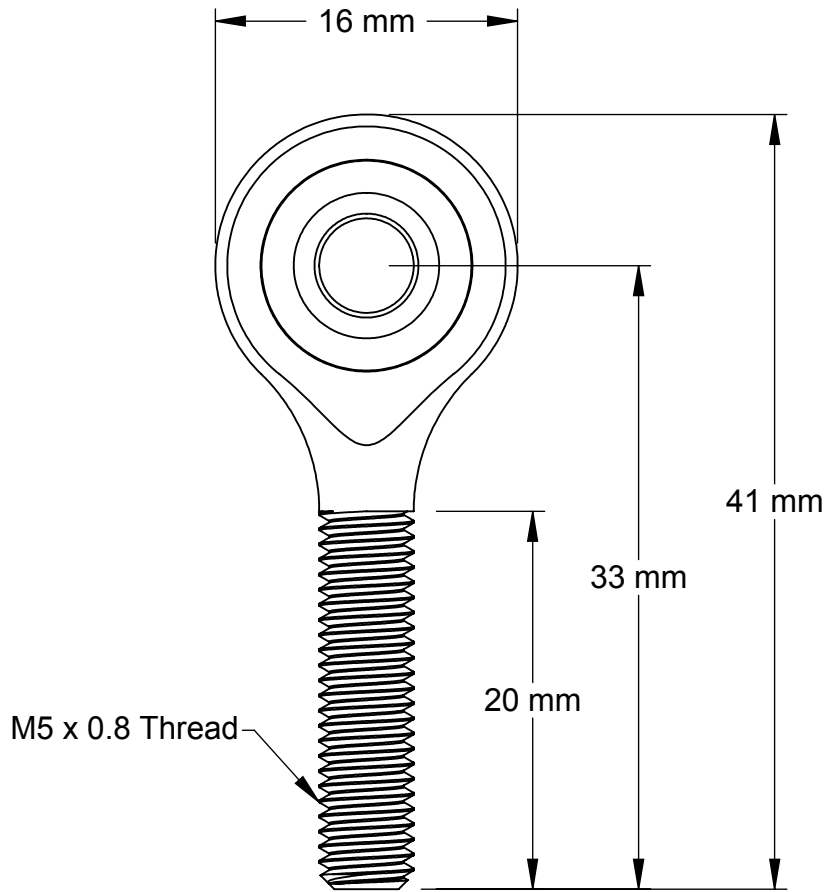
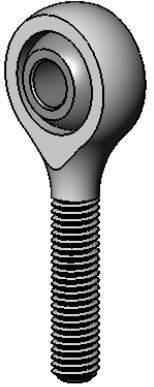
Information in this drawing is provided for reference only.



UNLESS OTHERWISE SPECIFIED: DIMENSIONS ARE IN MILLIMETERS SURFACE FINISH: TOLERANCES: LINEAR: ANGULAR:			FINISH:		DEBURR AND BREAK SHARP EDGES		DO NOT SCALE DRAWING		REVISION		
DRAWN			NAME		SIGNATURE		DATE		TITLE:		
CHK'D											
APPV'D											
MFG											
Q.A									MATERIAL:		DWG NO.
									Horizontal Motor Housing		A3
									WEIGHT:		SCALE:1:1
											SHEET 1 OF 1



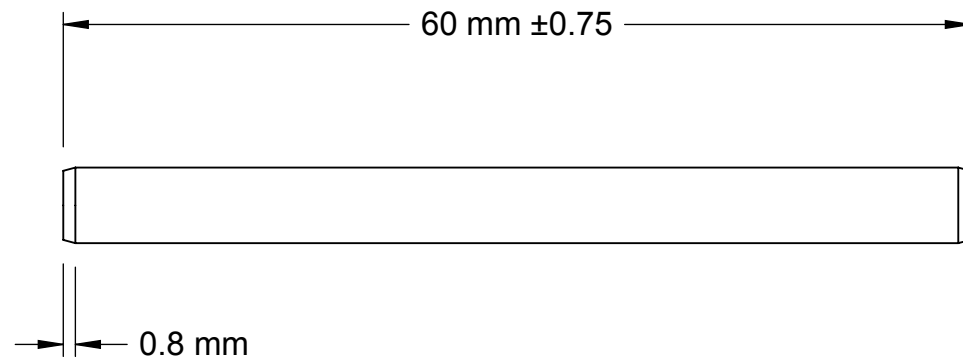
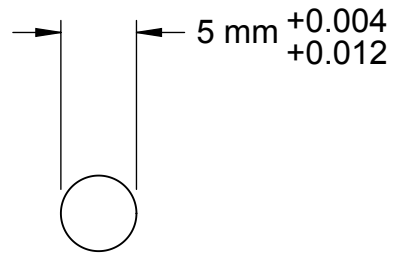
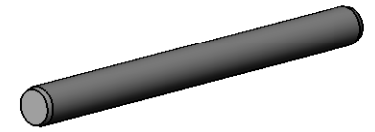
UNLESS OTHERWISE SPECIFIED: DIMENSIONS ARE IN MILLIMETERS				FINISH:		DEBURR AND BREAK SHARP EDGES		DO NOT SCALE DRAWING		REVISION	
SURFACE FINISH:											
TOLERANCES:											
LINEAR:											
ANGULAR:											
	NAME	SIGNATURE	DATE					TITLE:			
DRAWN											
CHK'D											
APPV'D											
MFG											
Q.A						MATERIAL:		DWG NO.		Vertical Guide Rail <sup>A3</sup>	
						WEIGHT:		SCALE:1:5		SHEET 1 OF 1	



Notes:  
Zinc-Plated Steel Housing  
Alloy Steel Ball

<b>McMASTER-CARR</b> <small>CAD</small>	PART NUMBER	<b>59935K81</b>
<a href="http://www.mcmaster.com">http://www.mcmaster.com</a>		Right-Hand Thread
© 2012 McMaster-Carr Supply Company		Ball Joint Rod End
Information in this drawing is provided for reference only.		





**McMASTER-CARR** CAD

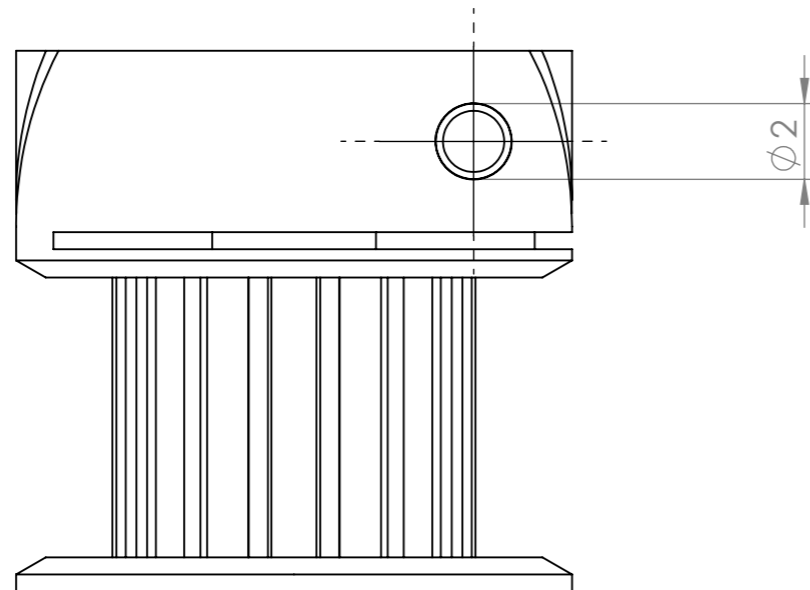
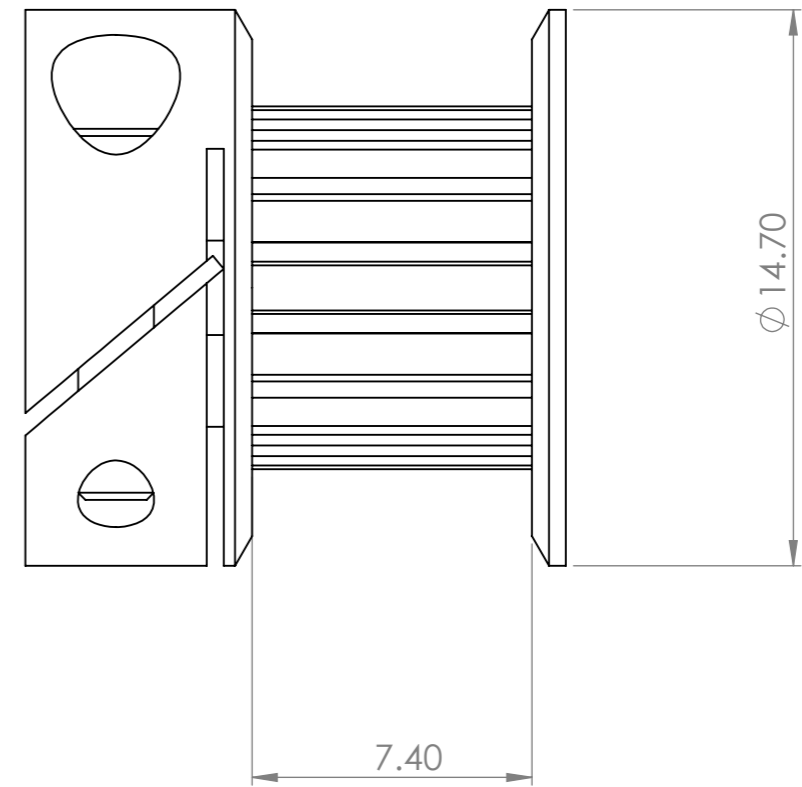
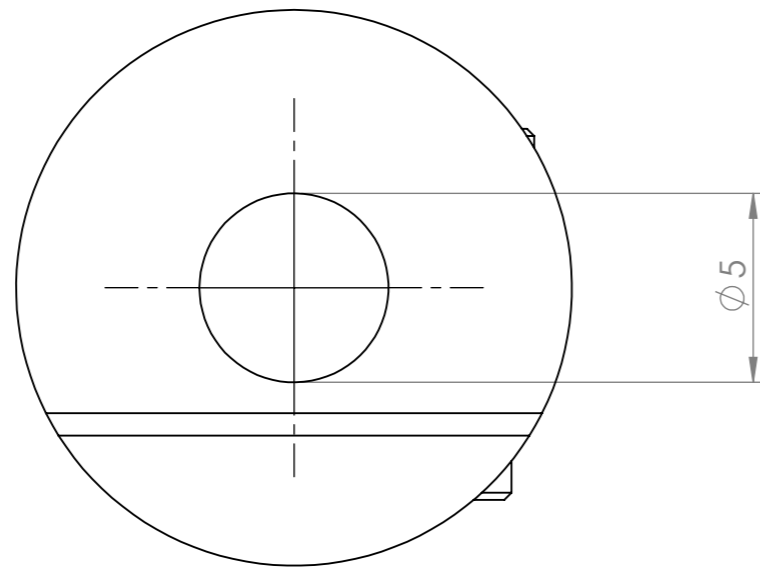
PART  
NUMBER

**91585A602**

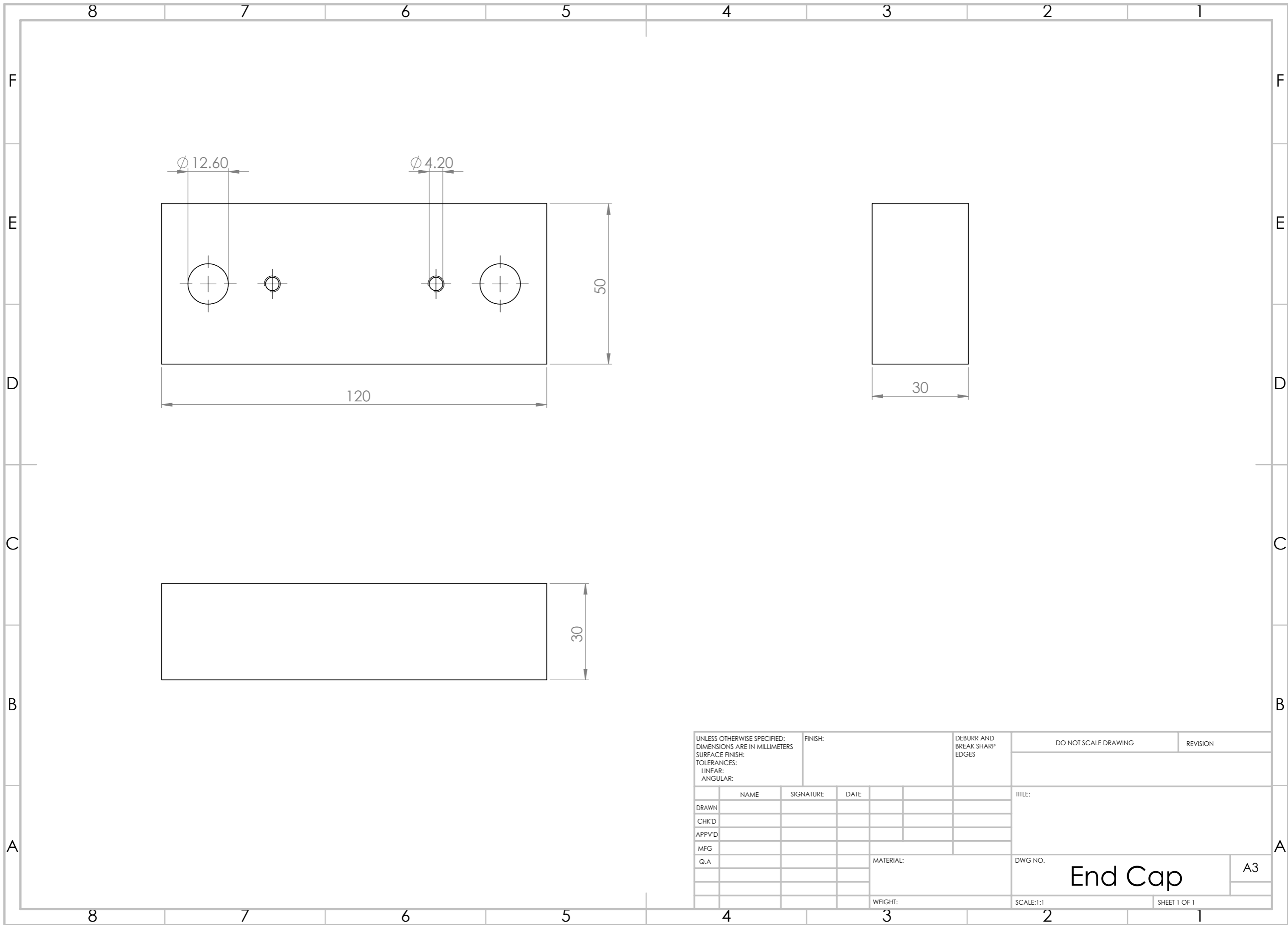
<http://www.mcmaster.com>  
© 2016 McMaster-Carr Supply Company

Dowel  
Pin

Information in this drawing is provided for reference only.



UNLESS OTHERWISE SPECIFIED: DIMENSIONS ARE IN MILLIMETERS			FINISH:		DEBURR AND BREAK SHARP EDGES		DO NOT SCALE DRAWING		REVISION	
SURFACE FINISH:										
TOLERANCES:										
LINEAR:										
ANGULAR:										
			NAME		SIGNATURE		DATE		TITLE:	
DRAWN										
CHK'D										
APPV'D										
MFG										
Q.A							MATERIAL:		DWG NO.	
									Timing Belt Pulley A3	
							WEIGHT:		SCALE:5:1	
									SHEET 1 OF 1	



UNLESS OTHERWISE SPECIFIED: DIMENSIONS ARE IN MILLIMETERS SURFACE FINISH: TOLERANCES: LINEAR: ANGULAR:				FINISH:		DEBURR AND BREAK SHARP EDGES		DO NOT SCALE DRAWING		REVISION	
								TITLE:			
DRAWN				NAME		SIGNATURE		DATE			
CHK'D											
APPV'D											
MFG											
Q.A								MATERIAL:		DWG NO.	
										End Cap	
								WEIGHT:		SCALE:1:1	
										SHEET 1 OF 1	
										A3	

8 7 6 5 4 3 2 1

F

F

E

E

D

D

C

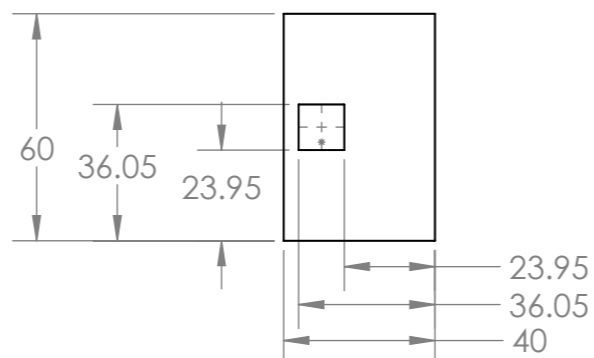
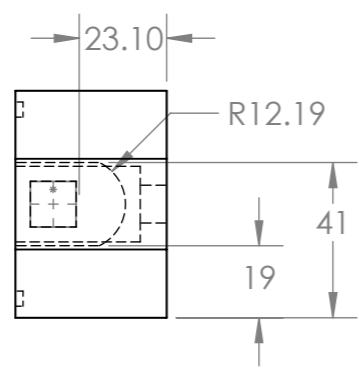
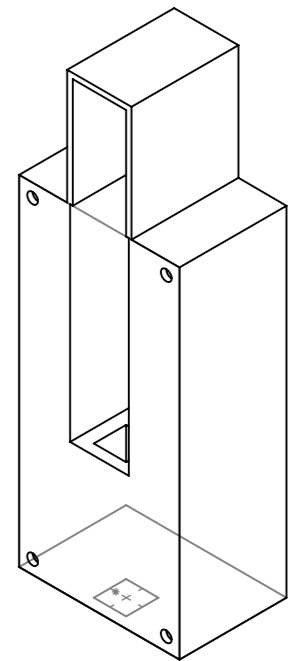
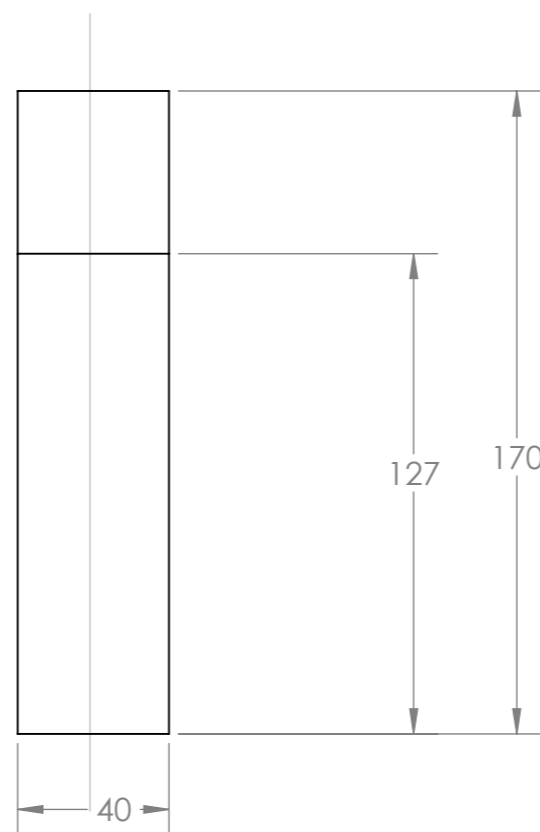
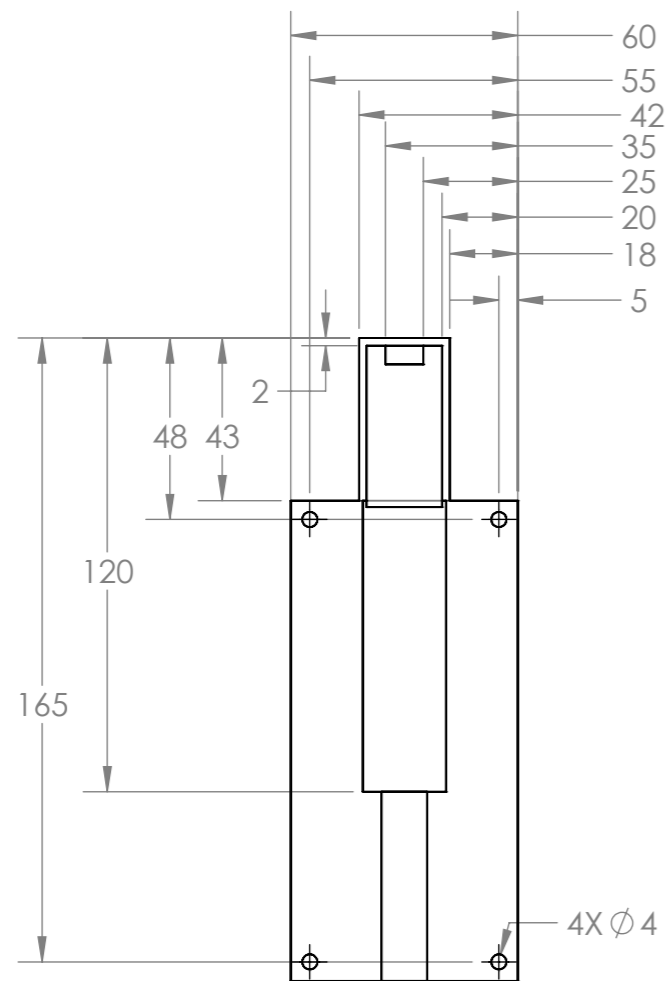
C

B

B

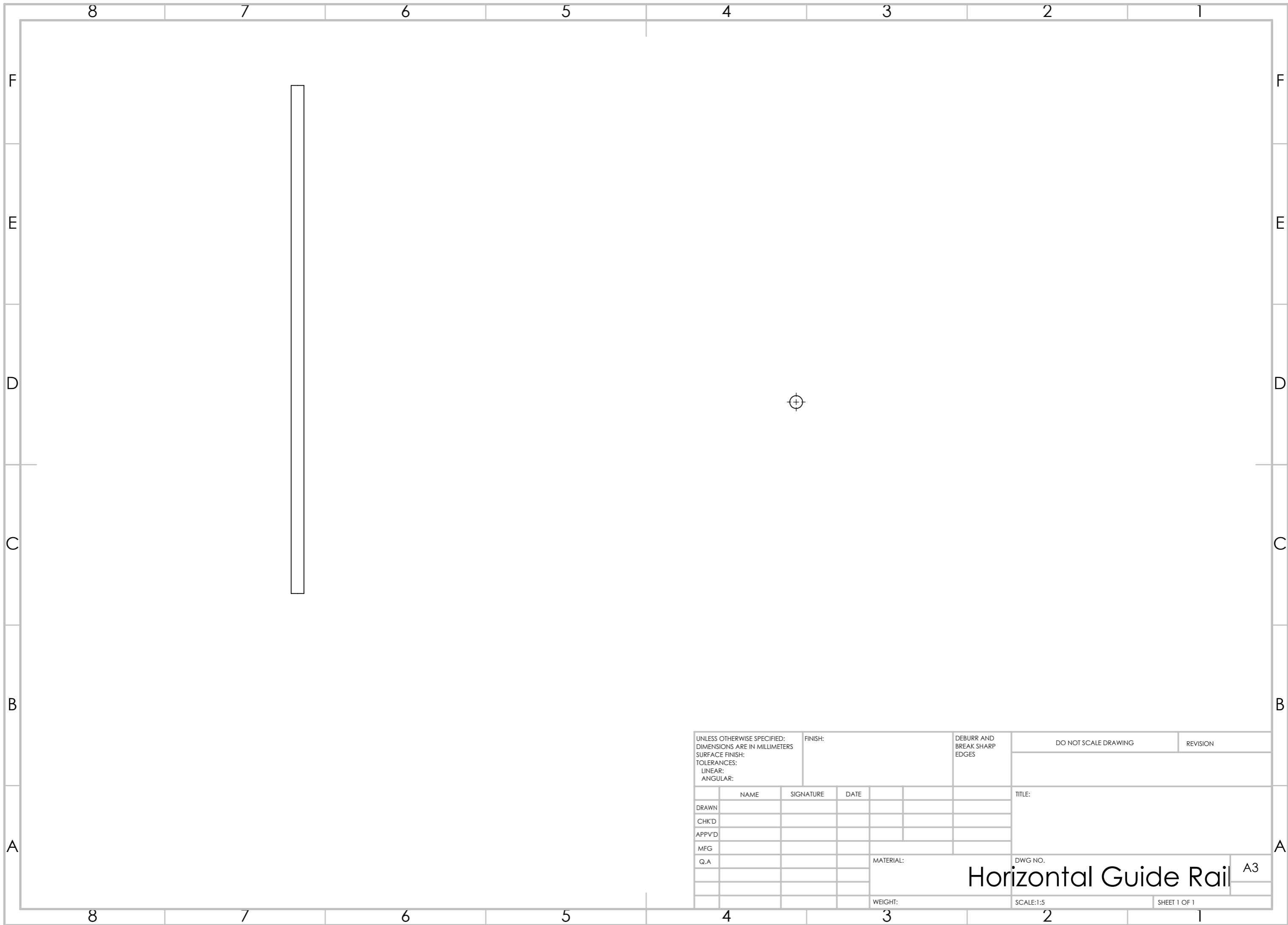
A

A



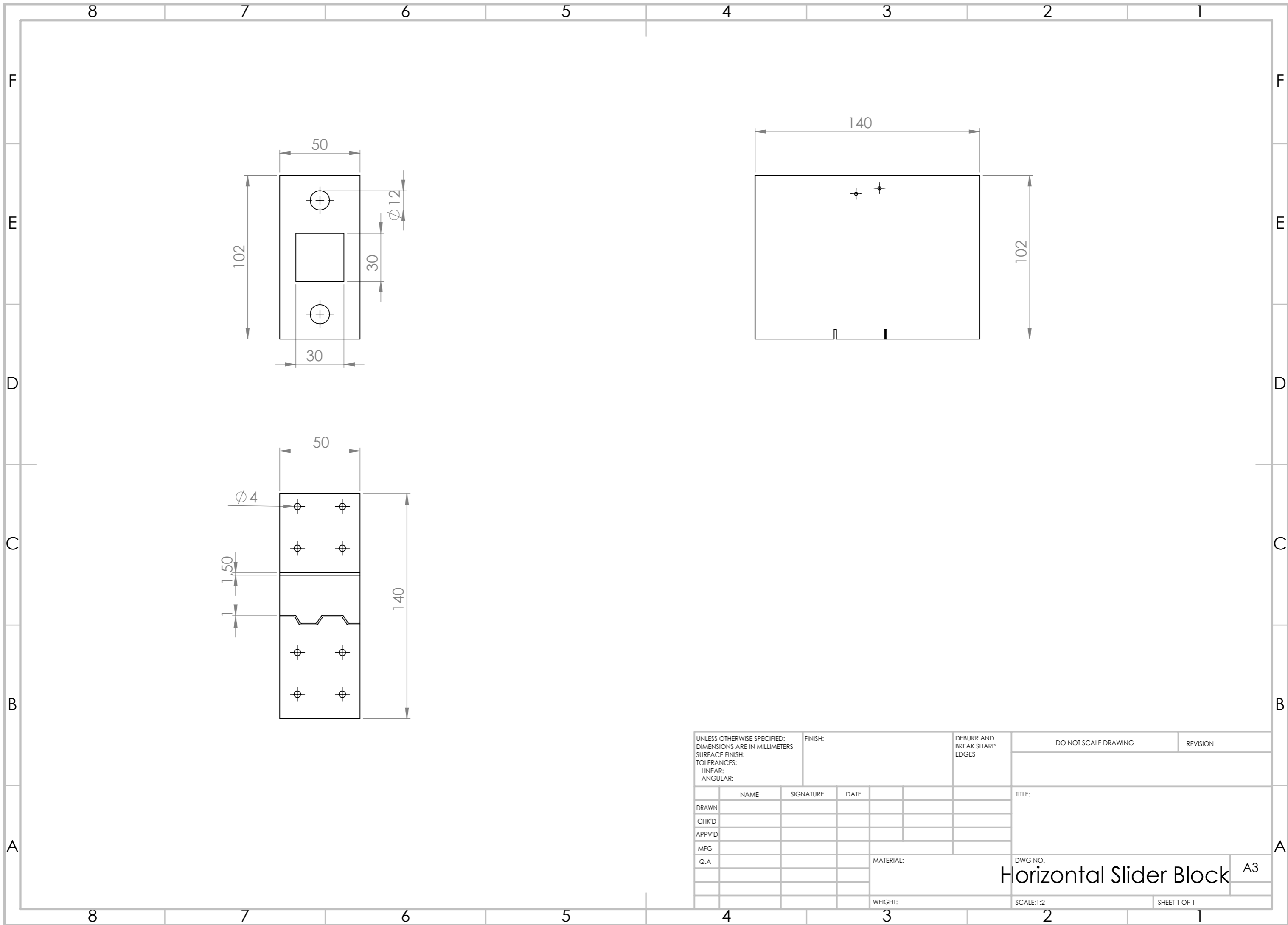
UNLESS OTHERWISE SPECIFIED: DIMENSIONS ARE IN MILLIMETERS			FINISH:		DEBURR AND BREAK SHARP EDGES		DO NOT SCALE DRAWING		REVISION		
SURFACE FINISH:											
TOLERANCES:											
LINEAR:											
ANGULAR:											
		NAME		SIGNATURE		DATE				TITLE:	
DRAWN											
CHK'D											
APPV'D											
MFG											
Q.A								MATERIAL:		DWG NO.	
										Touch Apparatus Part A3	
								WEIGHT:		SCALE:1:2	
										SHEET 1 OF 1	

8 7 6 5 4 3 2 1

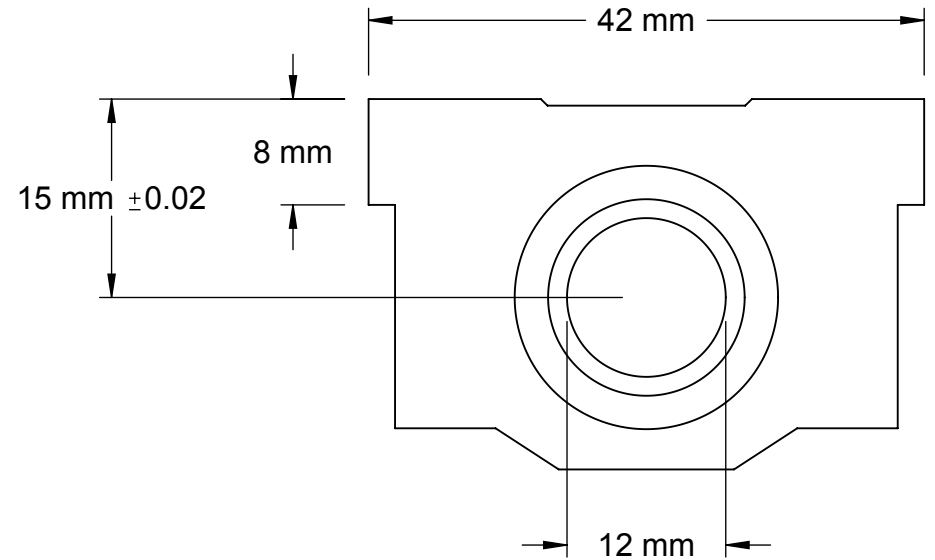
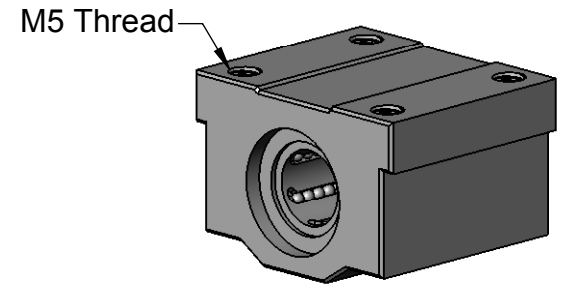
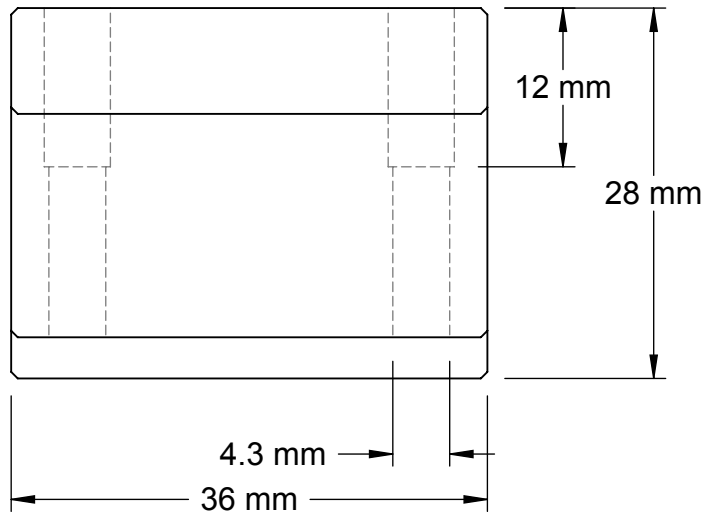
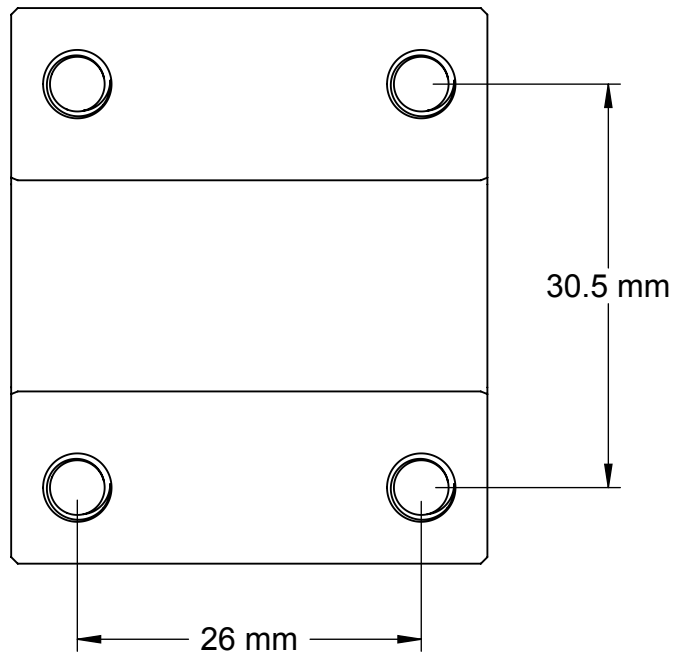


UNLESS OTHERWISE SPECIFIED: DIMENSIONS ARE IN MILLIMETERS				FINISH:		DEBURR AND BREAK SHARP EDGES		DO NOT SCALE DRAWING		REVISION	
SURFACE FINISH:											
TOLERANCES:											
LINEAR:											
ANGULAR:											
	NAME	SIGNATURE	DATE					TITLE:			
DRAWN											
CHK'D											
APPV'D											
MFG											
Q.A											
						MATERIAL:		DWG NO.		A3	
						WEIGHT:		SCALE:1:5		SHEET 1 OF 1	

# Horizontal Guide Rail



UNLESS OTHERWISE SPECIFIED: DIMENSIONS ARE IN MILLIMETERS SURFACE FINISH: TOLERANCES: LINEAR: ANGULAR:			FINISH:		DEBURR AND BREAK SHARP EDGES		DO NOT SCALE DRAWING		REVISION		
DRAWN			NAME		SIGNATURE		DATE		TITLE:		
CHK'D											
APPV'D											
MFG											
Q.A							MATERIAL:		DWG NO.		
									Horizontal Slider Block		
							WEIGHT:		SCALE:1:2		
									SHEET 1 OF 1		
									A3		



**McMASTER-CARR** CAD

PART  
NUMBER

**9338T53**

<http://www.mcmaster.com>  
© 2015 McMaster-Carr Supply Company

Pillow-Block  
Linear Ball Bearing

Information in this drawing is provided for reference only.