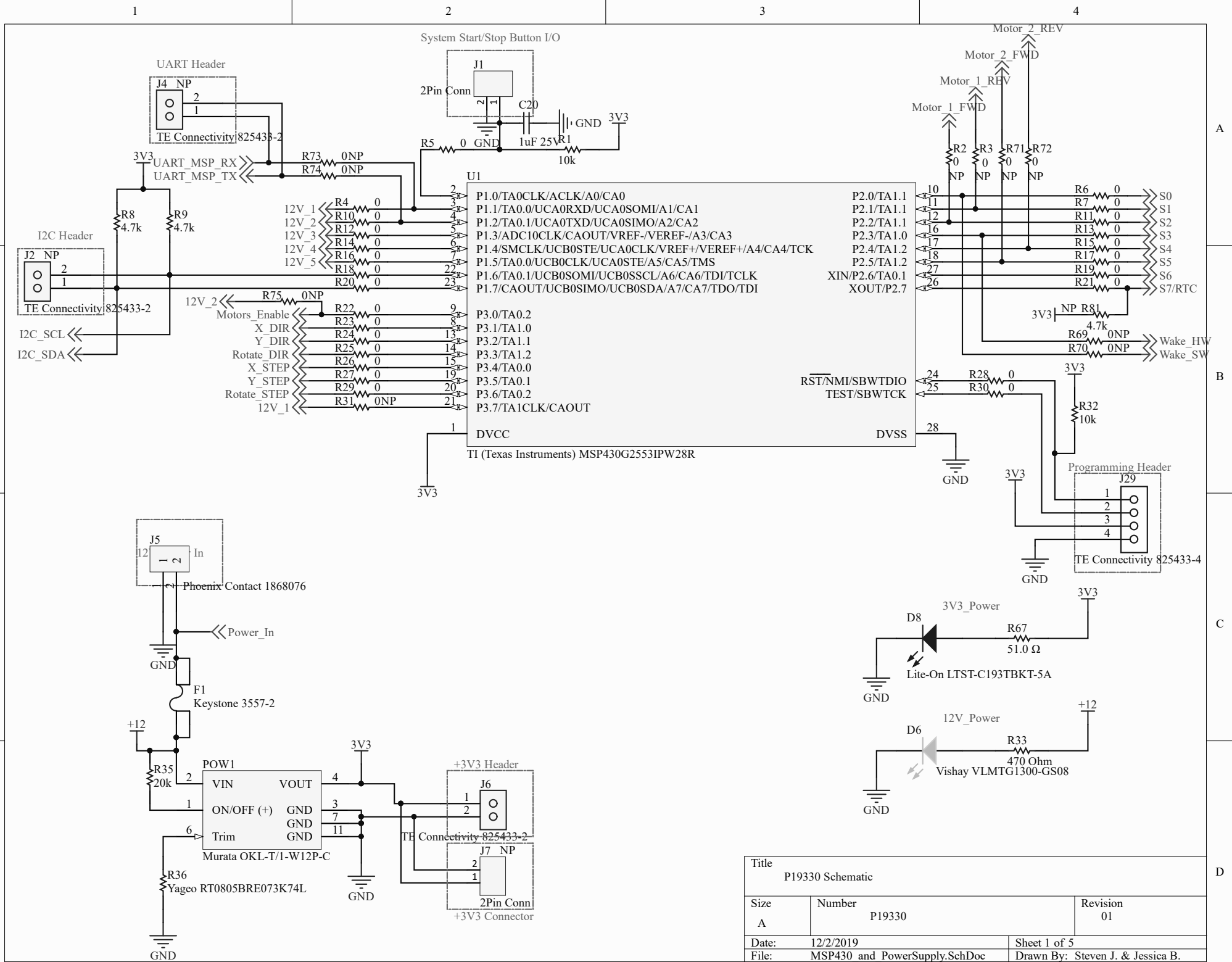
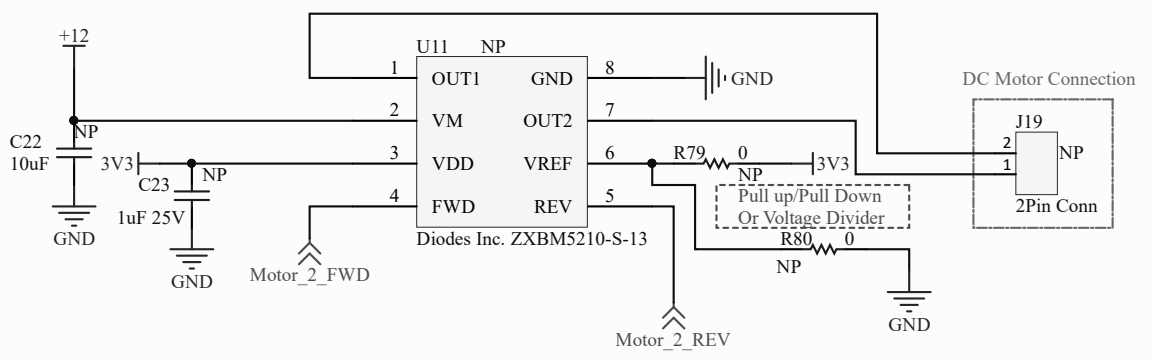
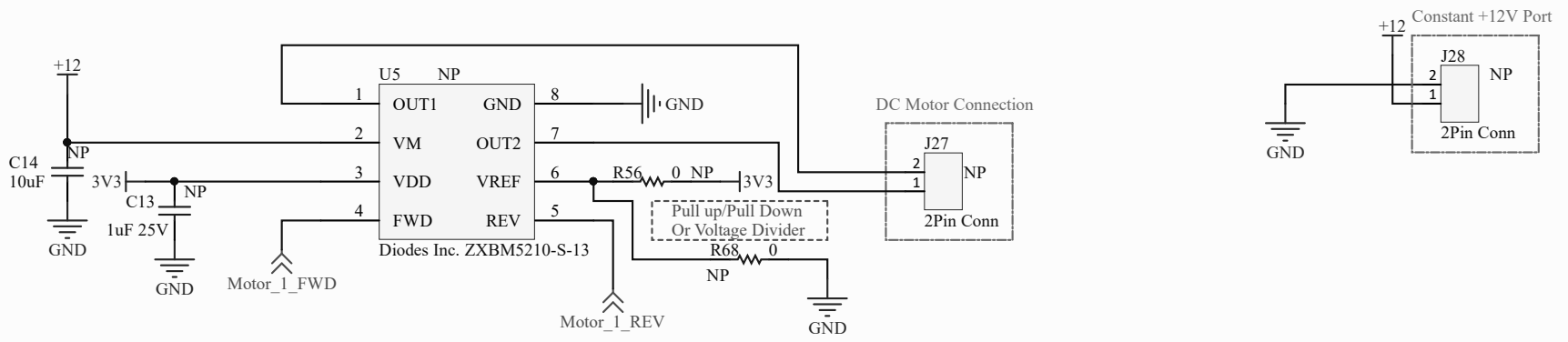
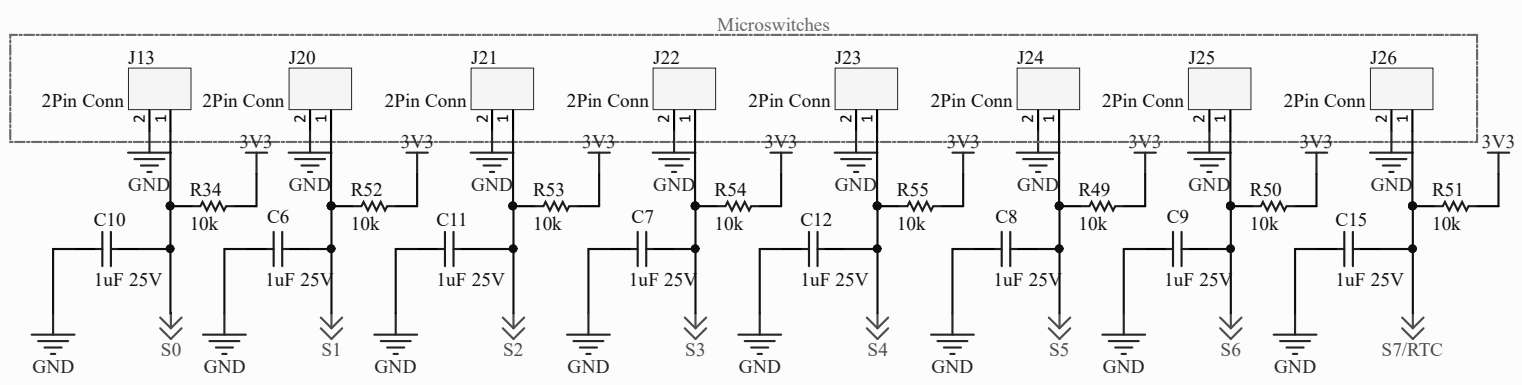


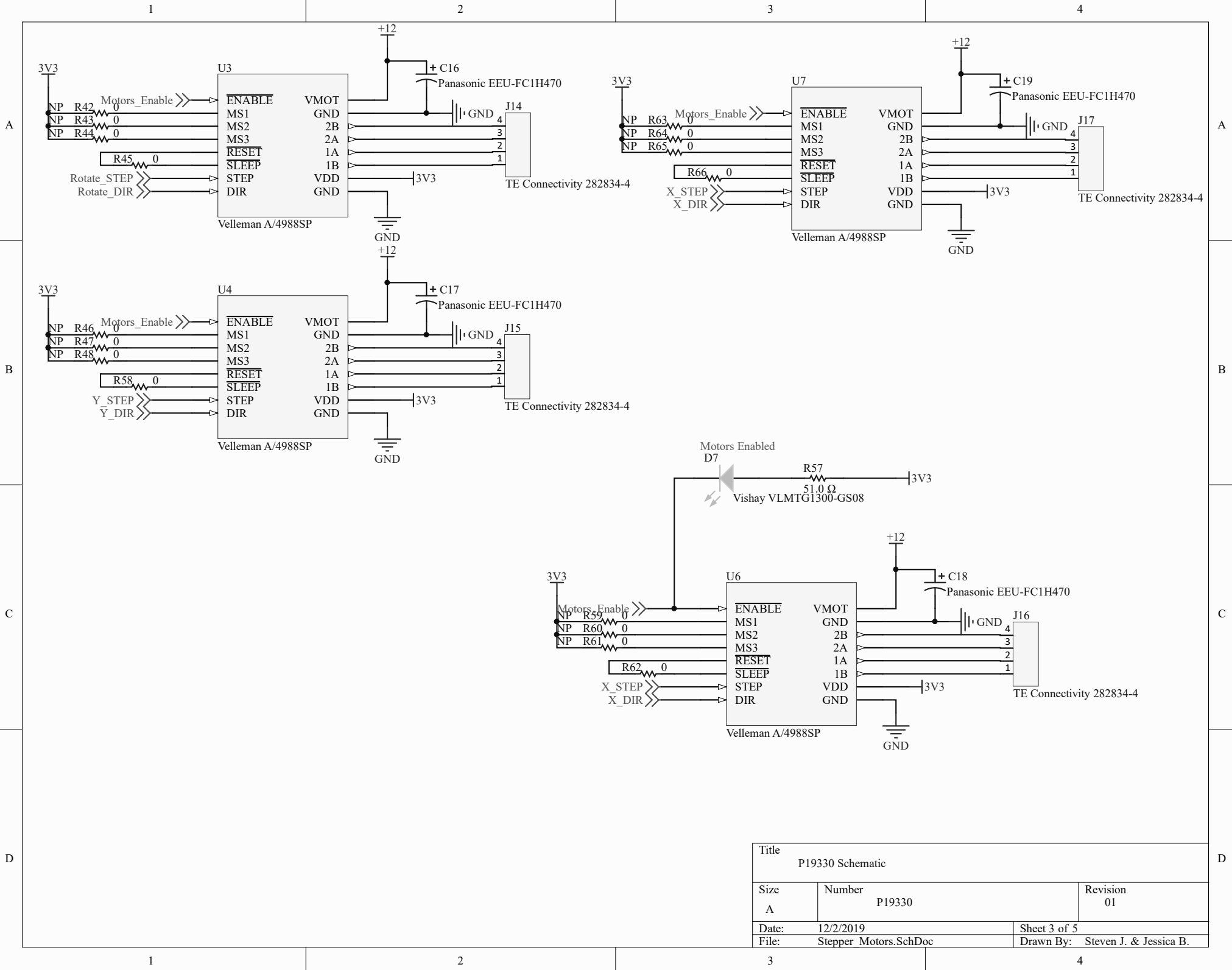
Boards



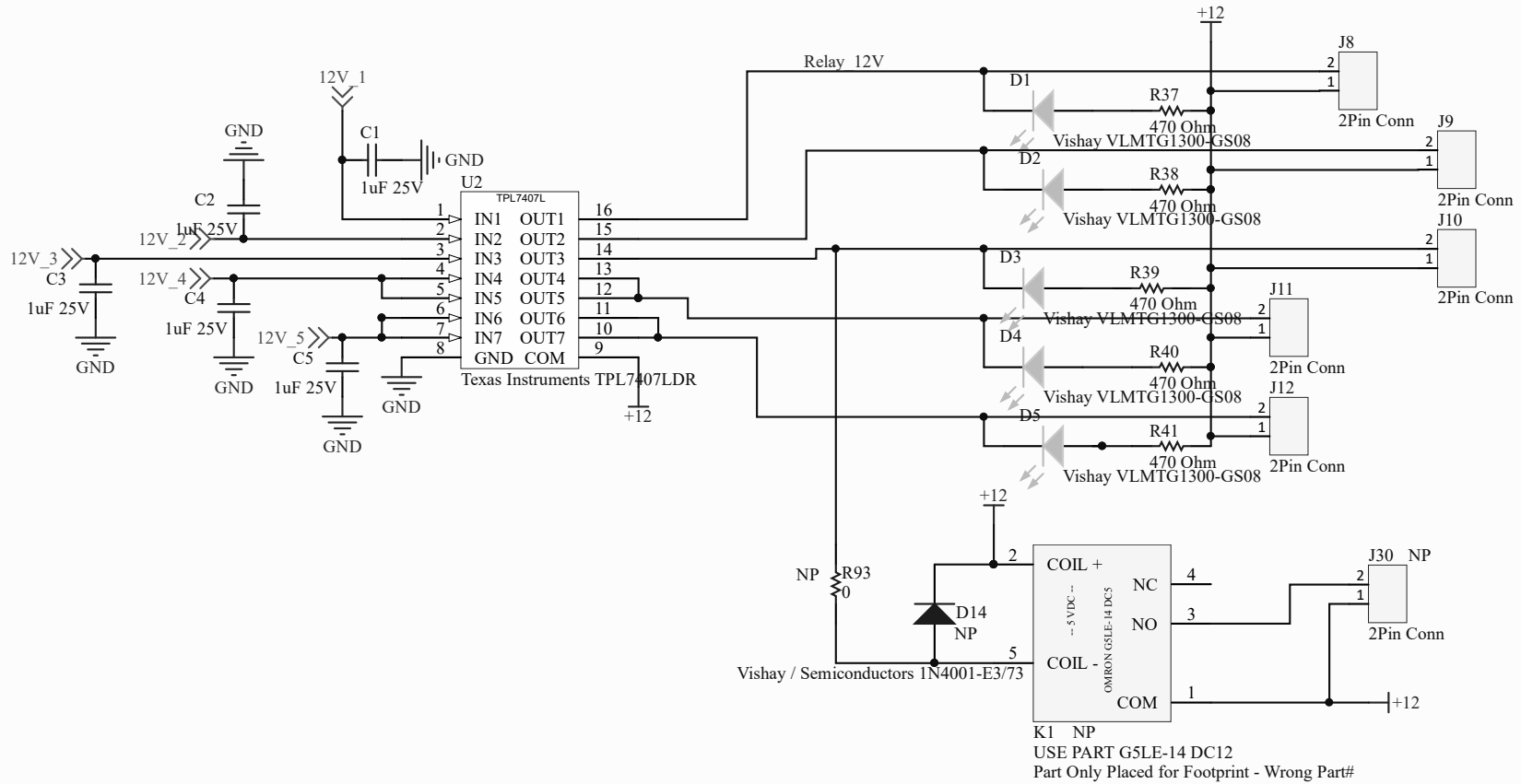
Title		
P19330 Schematic		
Size	Number	Revision
A	P19330	01
Date:	12/2/2019	Sheet 1 of 5
File:	MSP430 and PowerSupply.SchDoc	Drawn By: Steven J. & Jessica B.



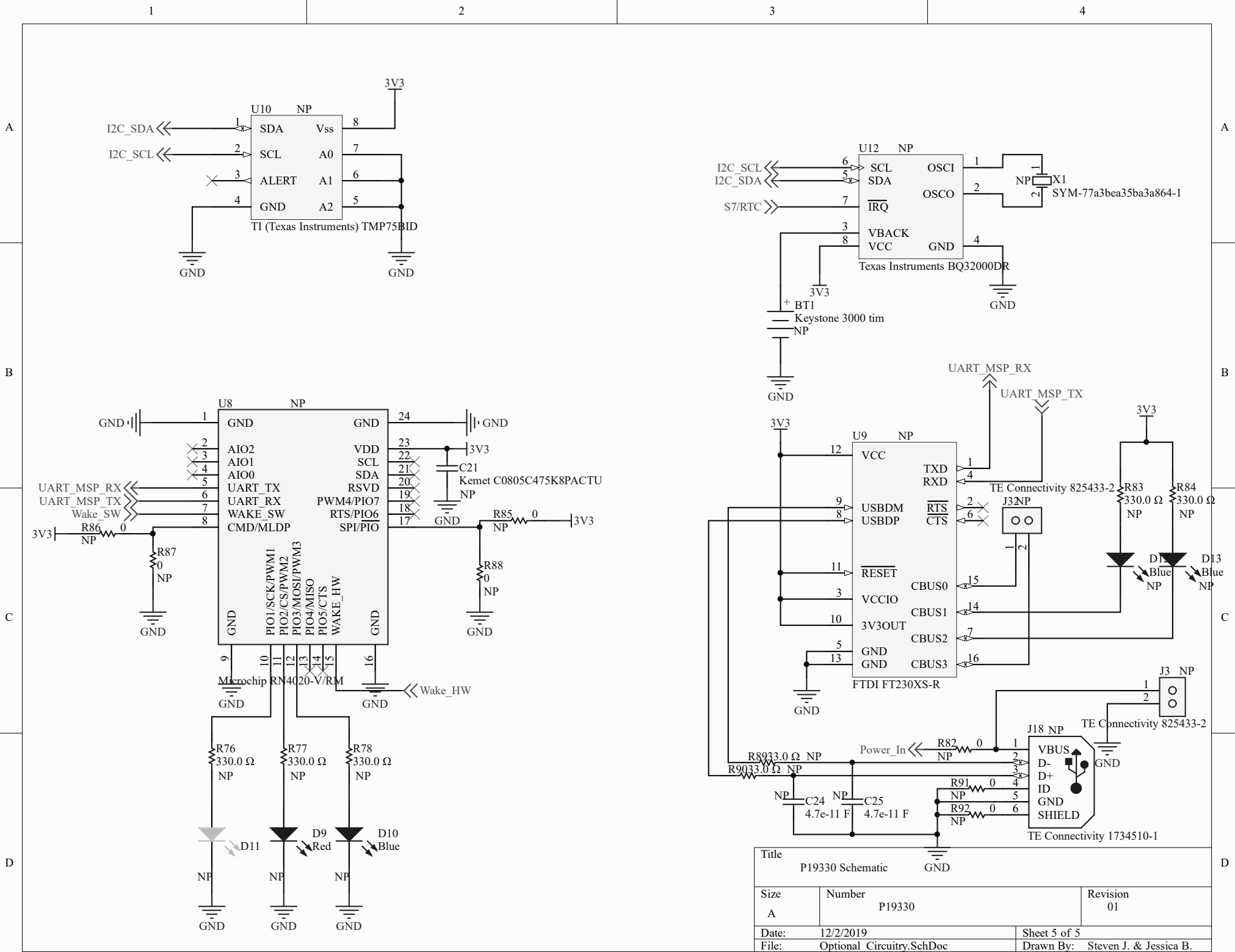
Title		
P19330 Schematic		
Size	Number	Revision
A	P19330	01
Date:	12/2/2019	Sheet 2 of 5
File:	Microswitches and 12VDCMotor.SchDoc Drawn By: Steven J. & Jessica B.	



Title		
P19330 Schematic		
Size	Number	Revision
A	P19330	01
Date:	12/2/2019	Sheet 3 of 5
File:	Stepper Motors.SchDoc	Drawn By: Steven J. & Jessica B.



Title		
P19330 Schematic		
Size	Number	Revision
A	P19330	01
Date:	12/2/2019	Sheet 4 of 5
File:	12VDC Control.SchDoc	Drawn By: Steven J. & Jessica B.



Title			P19330 Schematic		
Size	Number				Revision
A	P19330				01
Date:	12/2/2019			Sheet 5 of 5	
File:	Optional_Circuitry.SchDoc			Drawn By: Steven J. & Jessica B.	