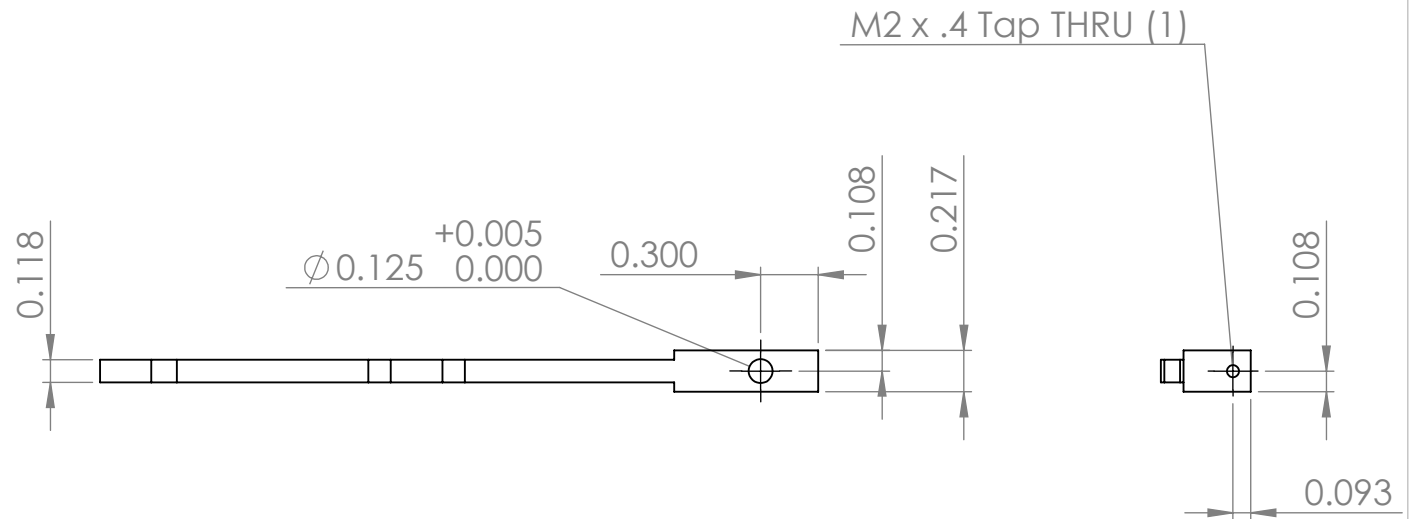
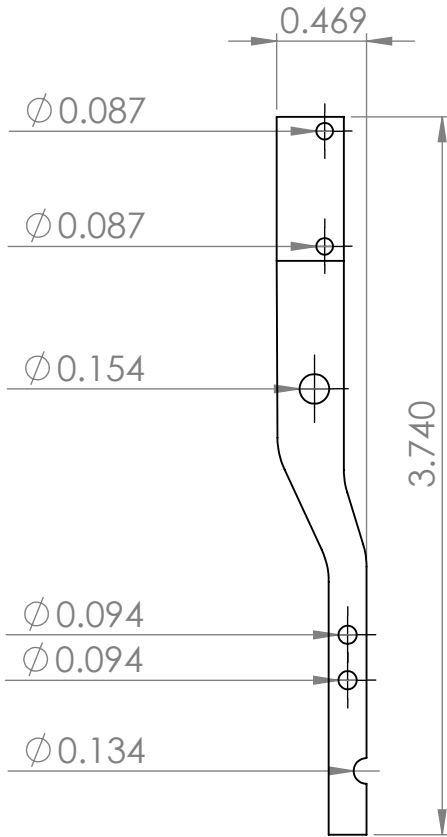
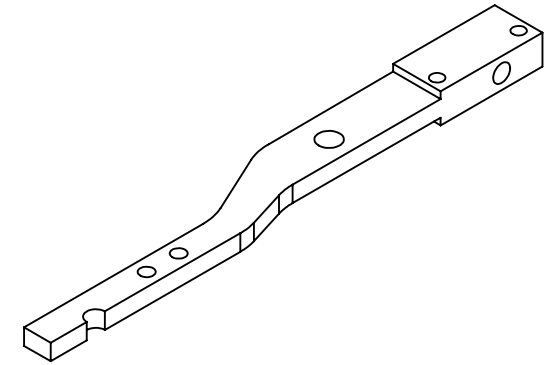


1. HOLES AND FINAL PROFILE WILL BE DONE IN CNC
2. QTY 2 MEANS 1 PER PRINT AND 1 MIRRORED



DIMENSIONS ARE IN INCHES
 TOLERANCES:
 FRACTIONAL $\pm 1/16$
 ANGULAR: MACH ± 1 BEND ± 2
 TWO PLACE DECIMAL $\pm .01$
 THREE PLACE DECIMAL $\pm .005$


MATERIAL
 110 COPPER

FINISH

TEAM #	P20129
TEAM NAME	F.R.OH.S.T.
OWNER	MATTHEW DAVERN
DATE MODIFIED	THURSDAY, JANUARY 23, 2020
SUBSYSTEM	ARM BEARING
CONTACT PHONE	

COMMENTS:
 QUANTITY: 2

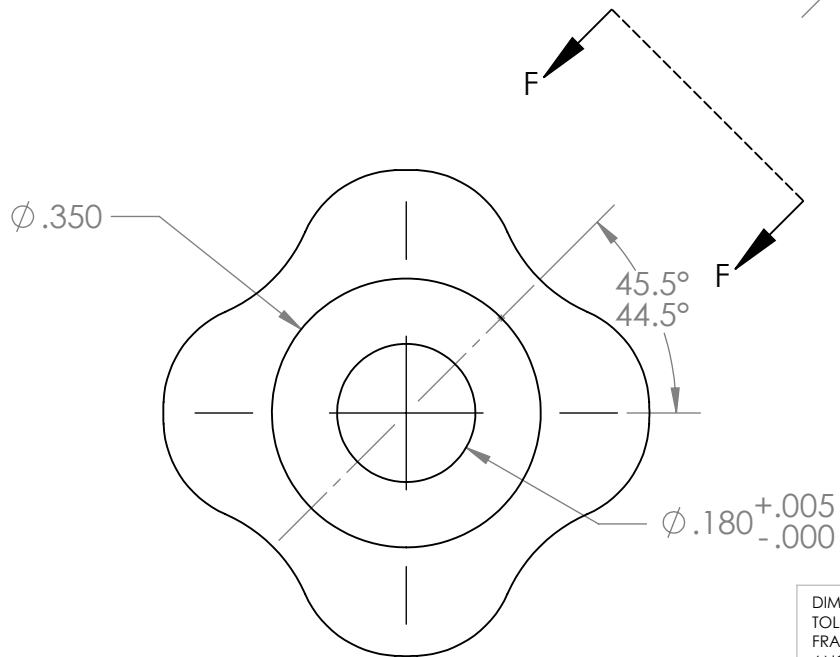
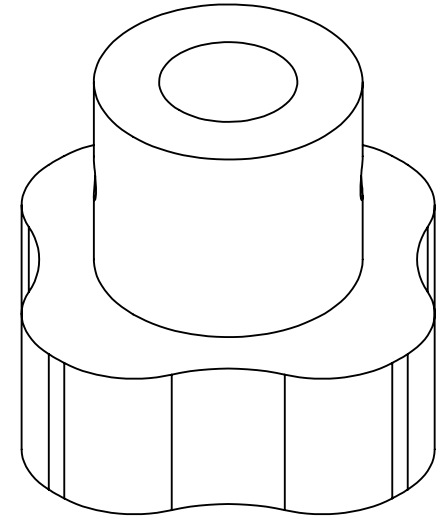
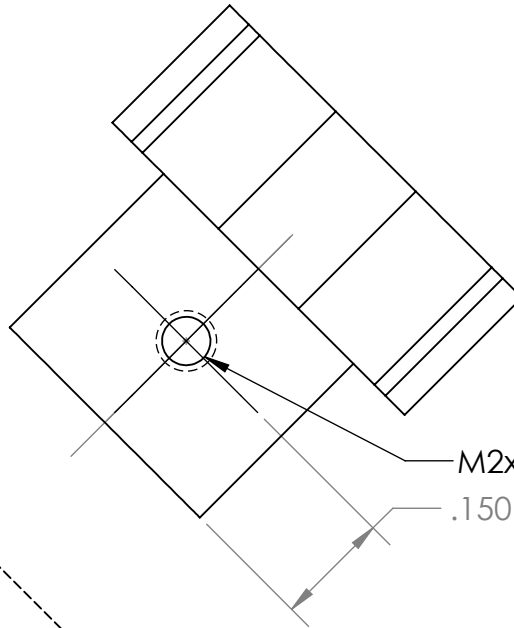
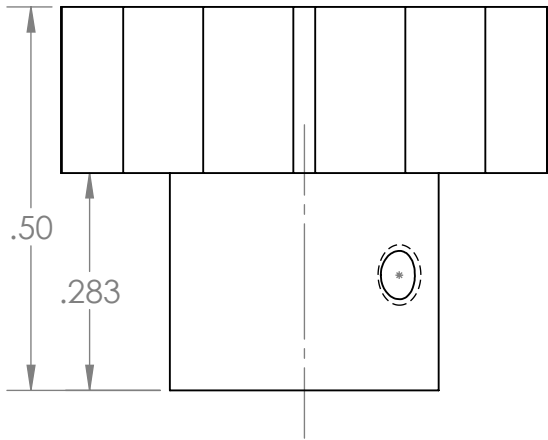
MULTIDISCIPLINARY ENGINEERING AT ITS CORE



RIT MSD

Senior Design

SIZE	Part Name/#	REV.
A	ARM REV2B	-
SCALE:1:1	WEIGHT:	SHEET 1 OF 1



VIEW F-F

DIMENSIONS ARE IN INCHES
 TOLERANCES:
 FRACTIONAL $\pm 1/16$
 ANGULAR: MACH ± 1 BEND ± 2
 TWO PLACE DECIMAL $\pm .01$
 THREE PLACE DECIMAL $\pm .005$

MATERIAL
 AL7075

FINISH

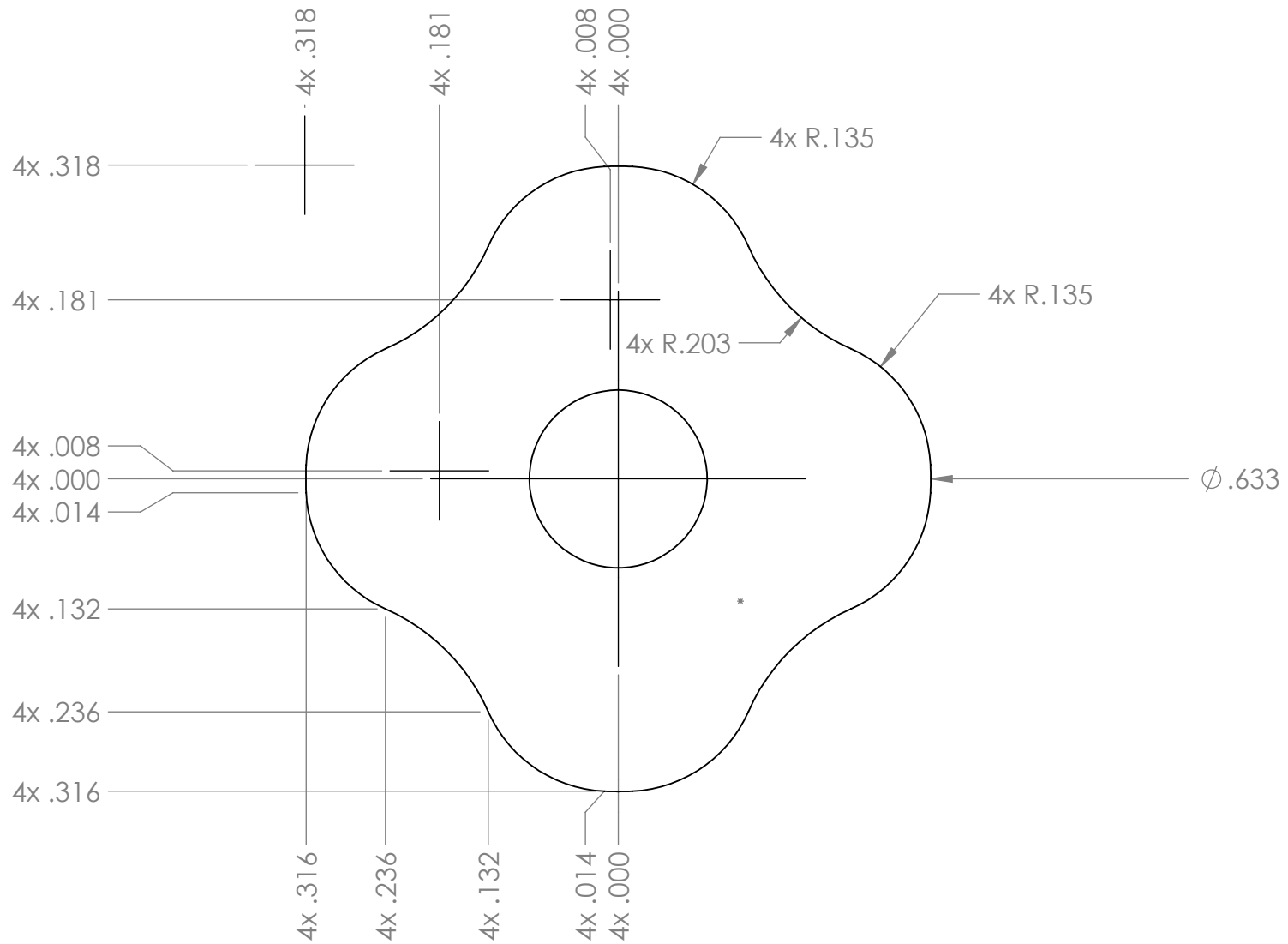
TEAM #	P20129
TEAM NAME	F.R.O.H.S.T.
OWNER	CHRIS CANNON
DATE MODIFIED	TUESDAY, DECEMBER 10, 2019
SUBSYSTEM	ACTUATION
CONTACT PHONE	

COMMENTS:

MULTIDISCIPLINARY ENGINEERING AT
MER-I-T
RIT MSD

Senior Design

SIZE	Part Name/#	REV.
A	CAM REV2	
SCALE:4:1	WEIGHT:	SHEET 1 OF 2



DIMENSIONS ARE IN INCHES
 TOLERANCES:
 FRACTIONAL \pm
 ANGULAR: MACH \pm .1 BEND \pm 1
 TWO PLACE DECIMAL \pm .01
 THREE PLACE DECIMAL \pm .005


MATERIAL
 AL7075

FINISH

TEAM #	P20129
TEAM NAME	F.R.O.H.S.T.
OWNER	CHRIS CANNON
DATE MODIFIED	TUESDAY, DECEMBER 10, 2019
SUBSYSTEM	ACTUATION
CONTACT PHONE	

COMMENTS:

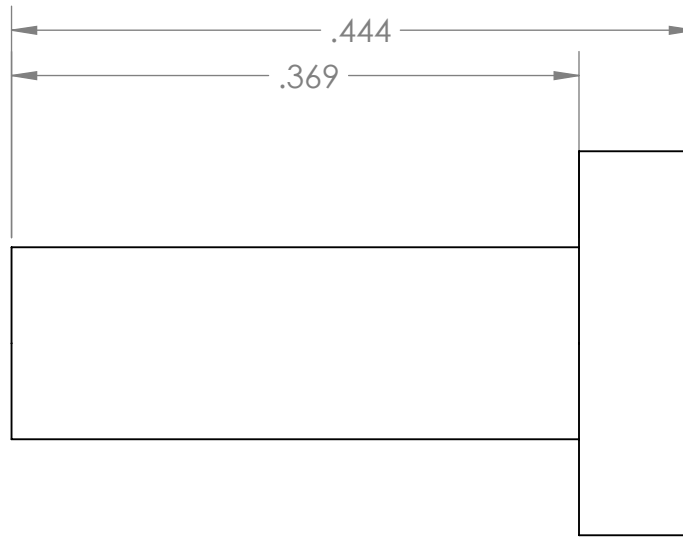
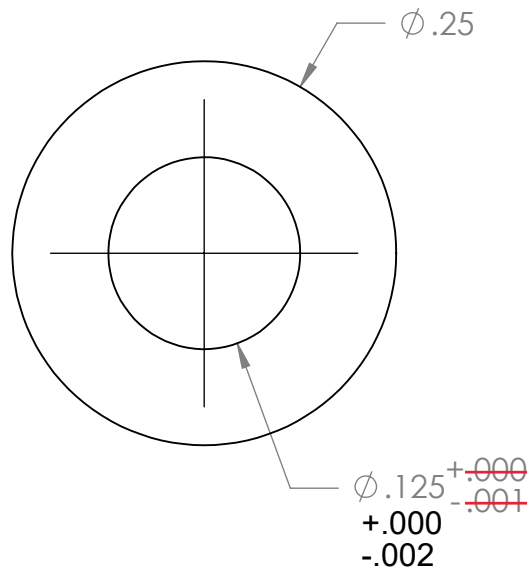
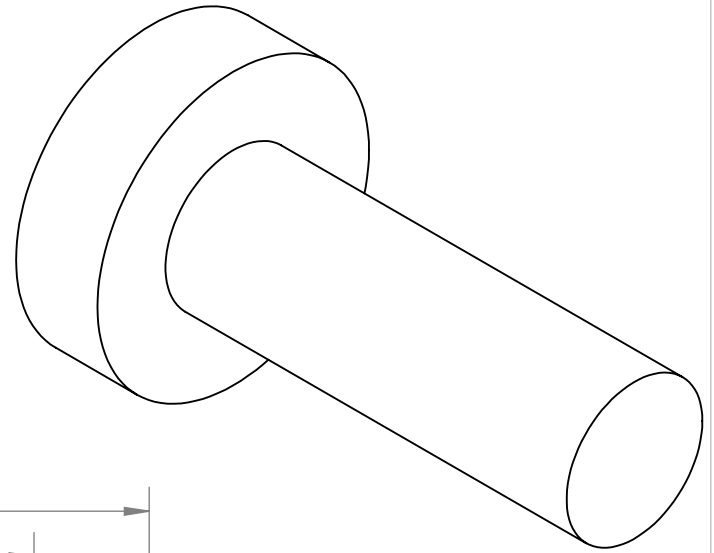
MULTIDISCIPLINARY ENGINEERING INT



RIT MSD

Senior Design

SIZE	Part Name/#	REV.
A	CAM REV2	
SCALE:4:1	WEIGHT:	SHEET 2 OF 2



DIMENSIONS ARE IN INCHES
 TOLERANCES:
 FRACTIONAL $\pm 1/16$
 ANGULAR: MACH ± 1 BEND ± 2
 TWO PLACE DECIMAL $\pm .01$
 THREE PLACE DECIMAL $\pm .005$

MATERIAL
 COPPER

FINISH

TEAM #	P20129
TEAM NAME	F.R.O.S.H.T.
OWNER	CHRIS CANNON
DATE MODIFIED	TUESDAY, DECEMBER 10, 2019
SUBSYSTEM	HEAT PATH
CONTACT PHONE	

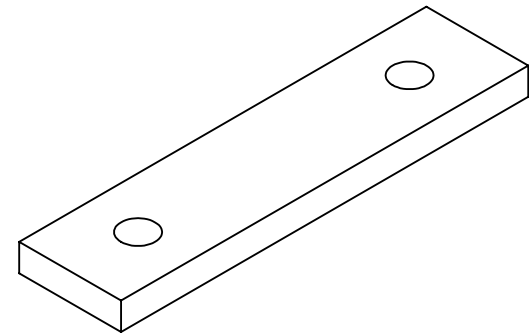
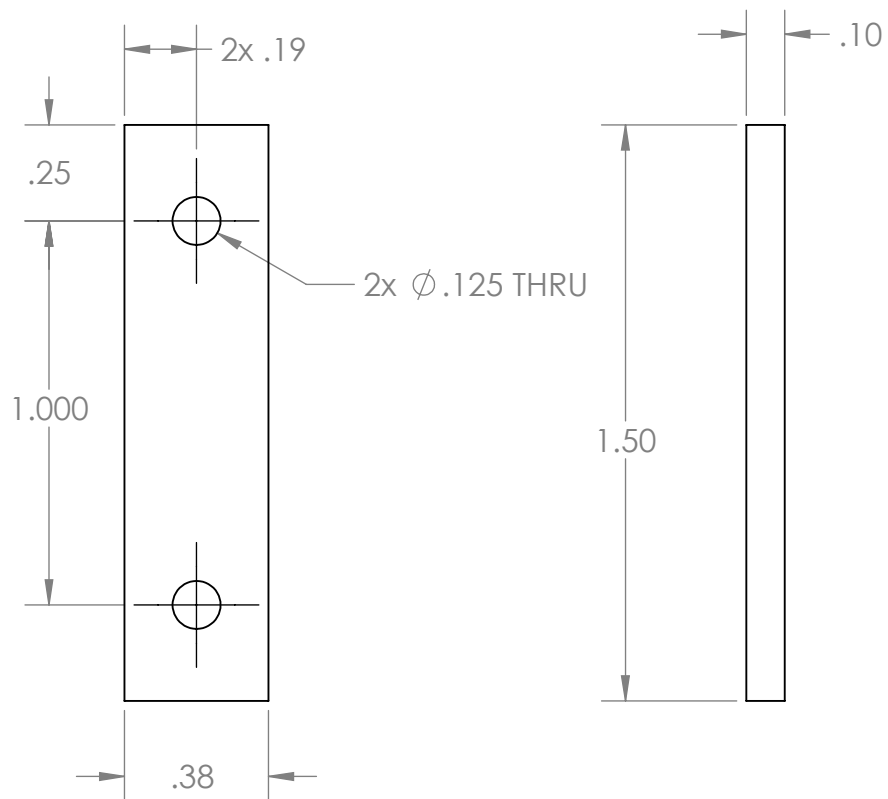
COMMENTS:

MULTIDISCIPLINARY ENGINEERING AT RIT


RIT MSD

Senior Design

SIZE	Part Name/#	REV.
A	HEAT PATH PIN	
SCALE: 8:1	WEIGHT:	SHEET 1 OF 1

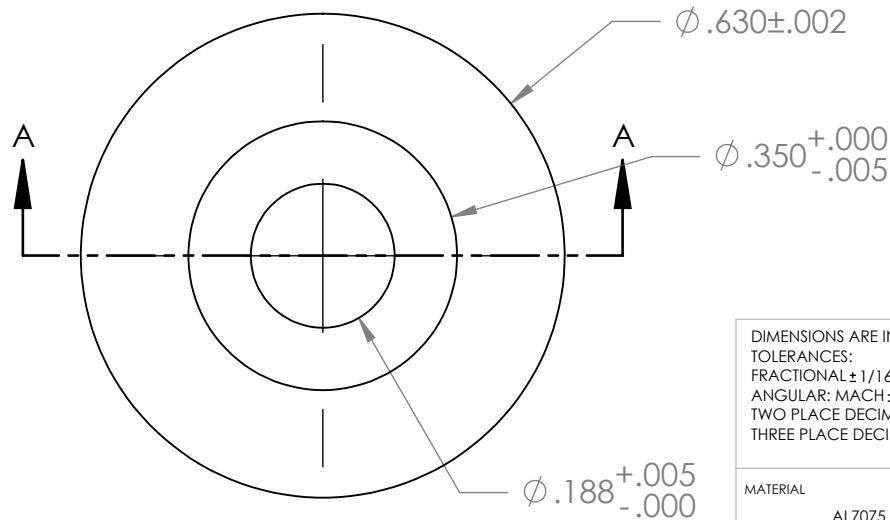
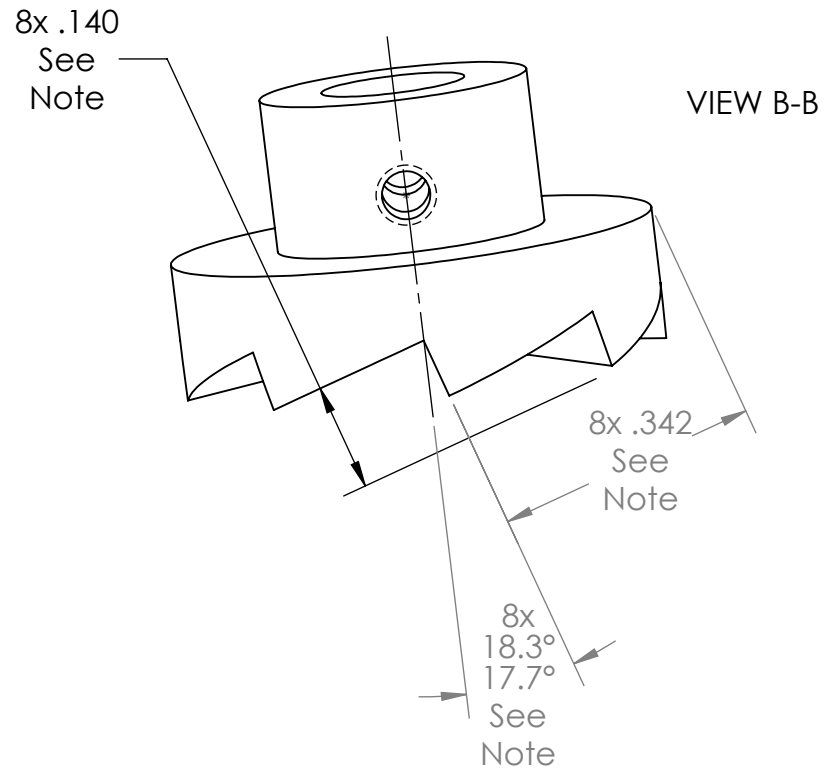
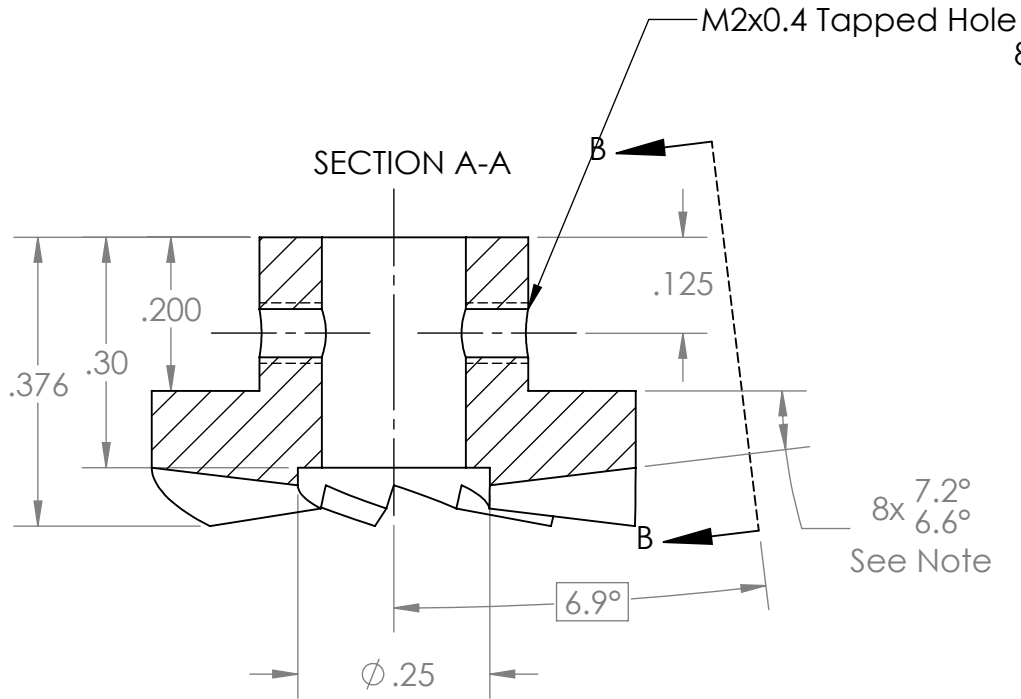


DIMENSIONS ARE IN INCHES TOLERANCES: FRACTIONAL $\pm 1/16$ ANGULAR: MACH ± 1 BEND ± 2 TWO PLACE DECIMAL $\pm .01$ THREE PLACE DECIMAL $\pm .005$	TEAM #	P20129
	TEAM NAME	F.R.O.H.S.T.
	OWNER	CHRIS CANNON
	DATE MODIFIED	TUESDAY, DECEMBER 10, 2019
	SUBSYSTEM	HEAT PATH
MATERIAL	COPPER	
FINISH	COMMENTS:	

MULTIDISCIPLINARY ENGINEERING AT

RIT MSD

Senior Design

SIZE	Part Name/#	REV.
A	LOWER CLAMP	
SCALE: 2:1	WEIGHT:	SHEET 1 OF 1



Note:
Features Equally
Spaced about
center Axis (45 deg)

DIMENSIONS ARE IN INCHES
TOLERANCES:
FRACTIONAL ± 1/16
ANGULAR: MACH ± 1 BEND ± 1
TWO PLACE DECIMAL ± .01
THREE PLACE DECIMAL ± .005

MATERIAL
AL7075

FINISH

TEAM #	P21029
TEAM NAME	F.R.O.S.H.T.
OWNER	CHRIS CANNON
DATE MODIFIED	TUESDAY, DECEMBER 10, 2019
SUBSYSTEM	ACTUATION
CONTACT PHONE	

COMMENTS:

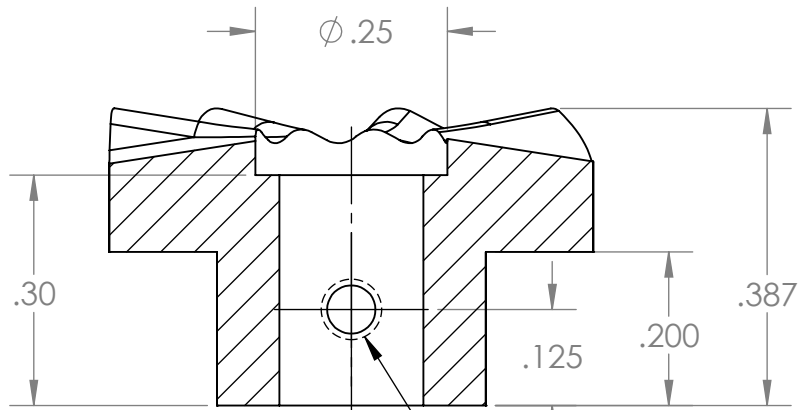
MULTIDISCIPLINARY ENGINEERING AT RIT

MER-I-T

RIT MSD

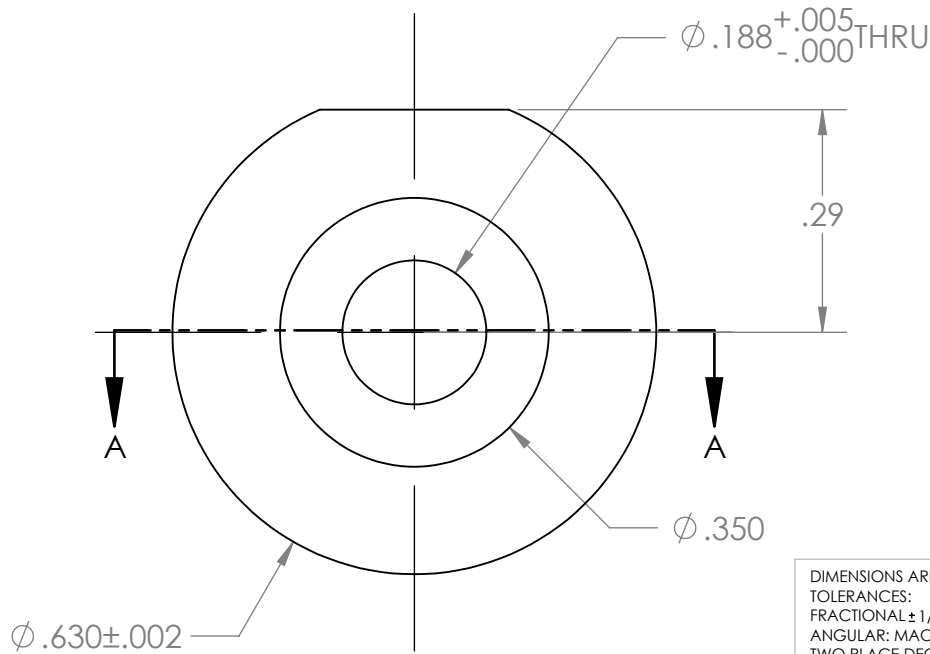
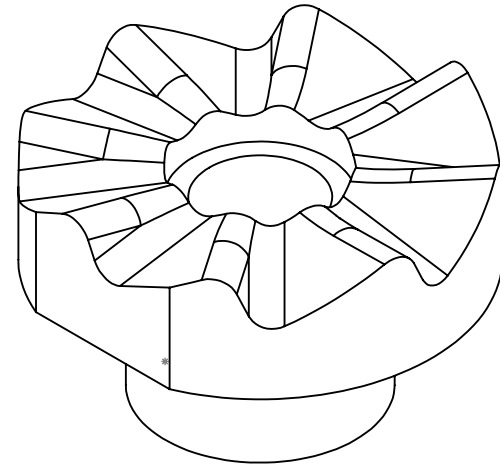
Senior Design

SIZE	Part Name/#	REV.
A	LOWER RATCHET REV2	
SCALE:4:1	WEIGHT:	SHEET 1 OF 1



SECTION A-A

M2x0.4 Tapped Hole THRU Both Sides



DIMENSIONS ARE IN INCHES
 TOLERANCES:
 FRACTIONAL $\pm 1/16$
 ANGULAR: MACH ± 1 BEND ± 2
 TWO PLACE DECIMAL $\pm .01$
 THREE PLACE DECIMAL $\pm .005$


MATERIAL
 AL7075

FINISH

TEAM #	P20129
TEAM NAME	F.R.O.H.S.T.
OWNER	CHRIS CANNON
DATE MODIFIED	THURSDAY, FEBRUARY 6, 2020
SUBSYSTEM	ACTUATION
CONTACT PHONE	

COMMENTS:

MULTIDISCIPLINARY ENGINEERING AT RIT

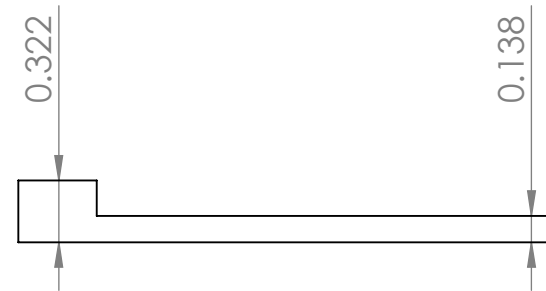
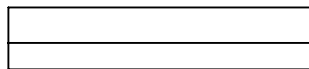
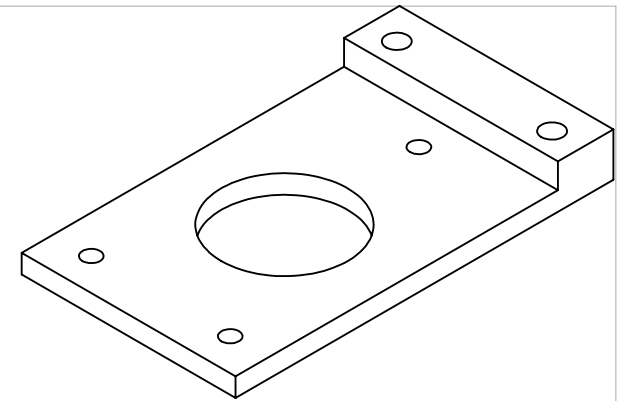
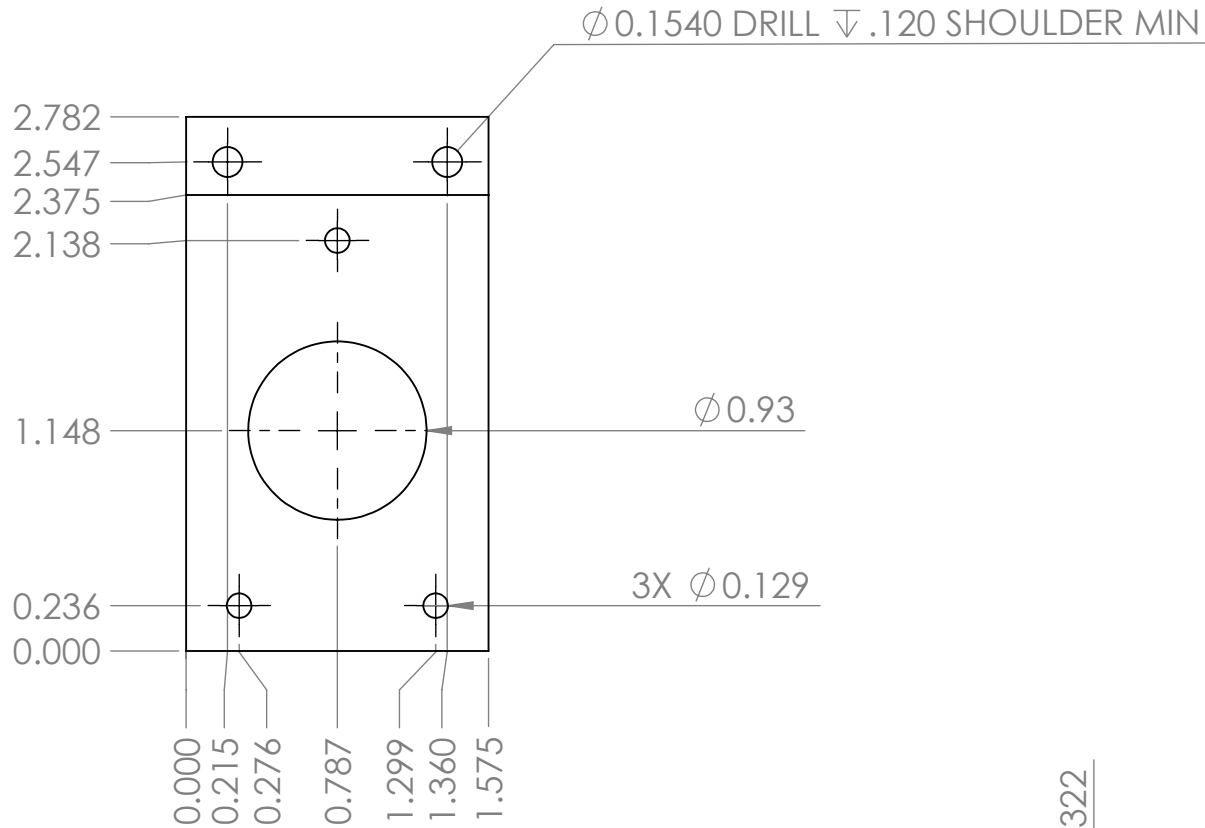


RIT MSD

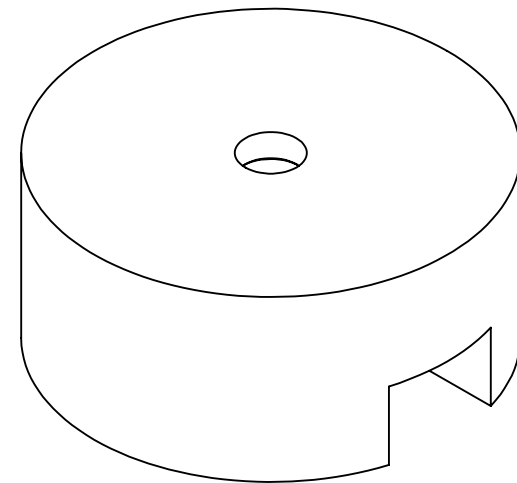
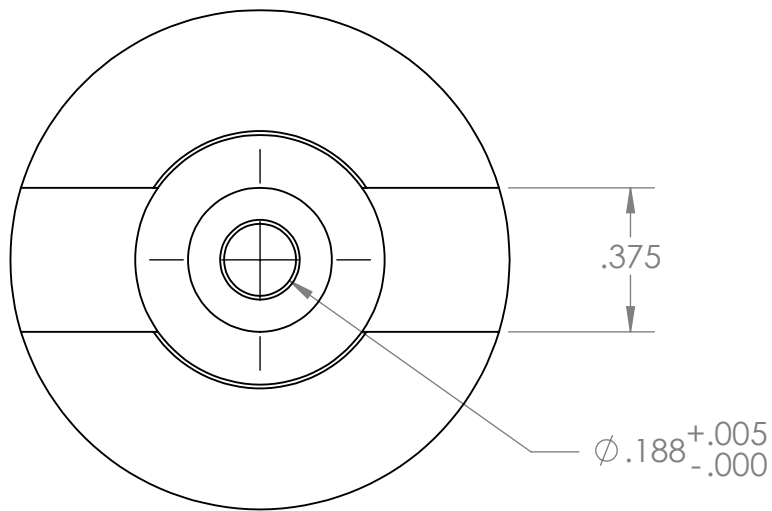
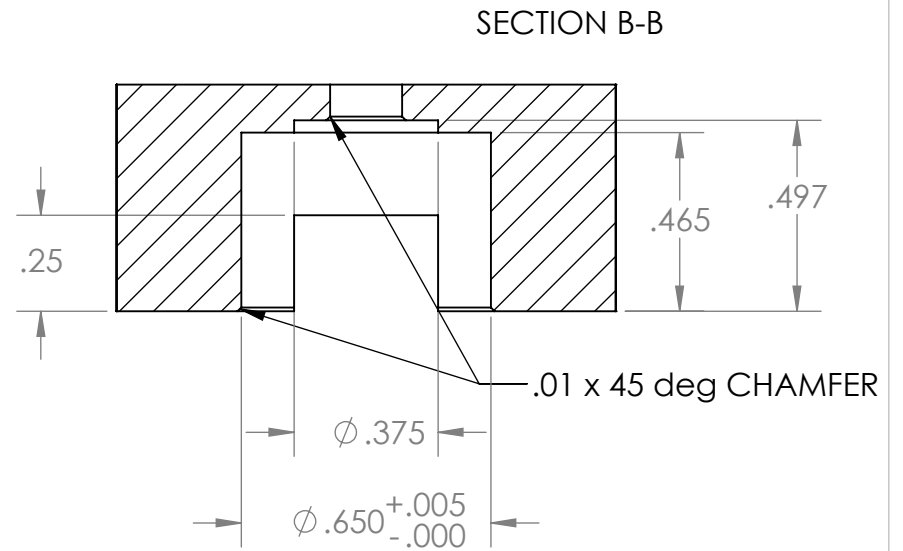
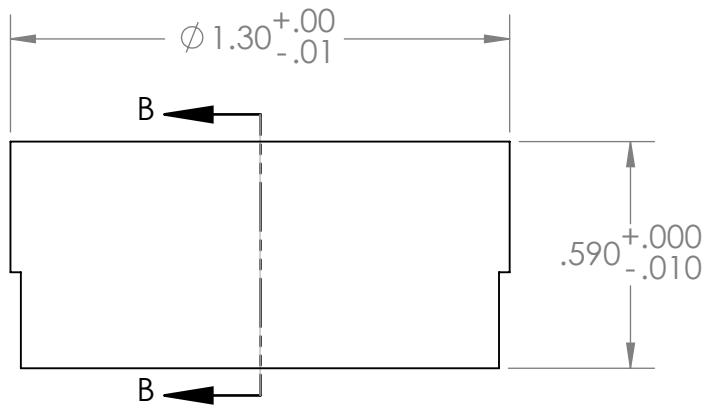
Senior Design

SIZE	Part Name/#	REV.
SCALE:4:1	WEIGHT:	SHEET 1 OF 1

A LOWER RATCHET REV2B



DIMENSIONS ARE IN INCHES TOLERANCES: FRACTIONAL $\pm 1/16$ ANGULAR: MACH ± 1 BEND ± 2 TWO PLACE DECIMAL $\pm .01$ THREE PLACE DECIMAL $\pm .005$	TEAM #	P20129		RIT MSD Senior Design
	TEAM NAME	F.R.O.H.S.T.		
	OWNER	J. LAWSON		
	DATE MODIFIED	TUESDAY, DECEMBER 10, 2019		
	SUBSYSTEM	ARM SUPPORT		
MATERIAL	6061-T6	CONTACT PHONE		
FINISH	YES, PLEASE	COMMENTS:	QTY: 1	SCALE: 1:1 WEIGHT: SHEET 1 OF 1
			SIZE Part Name/# A PIVOTSUPPORT V3	REV.



DIMENSIONS ARE IN INCHES
 TOLERANCES:
 FRACTIONAL $\pm 1/16$
 ANGULAR: MACH ± 1 BEND ± 2
 TWO PLACE DECIMAL $\pm .01$
 THREE PLACE DECIMAL $\pm .005$

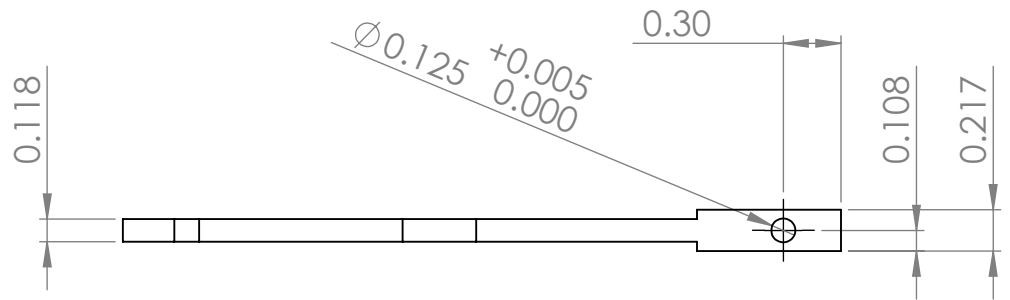
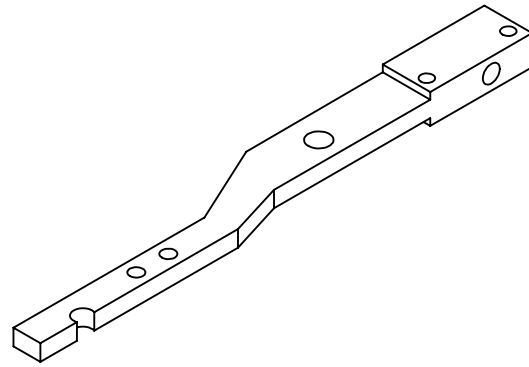
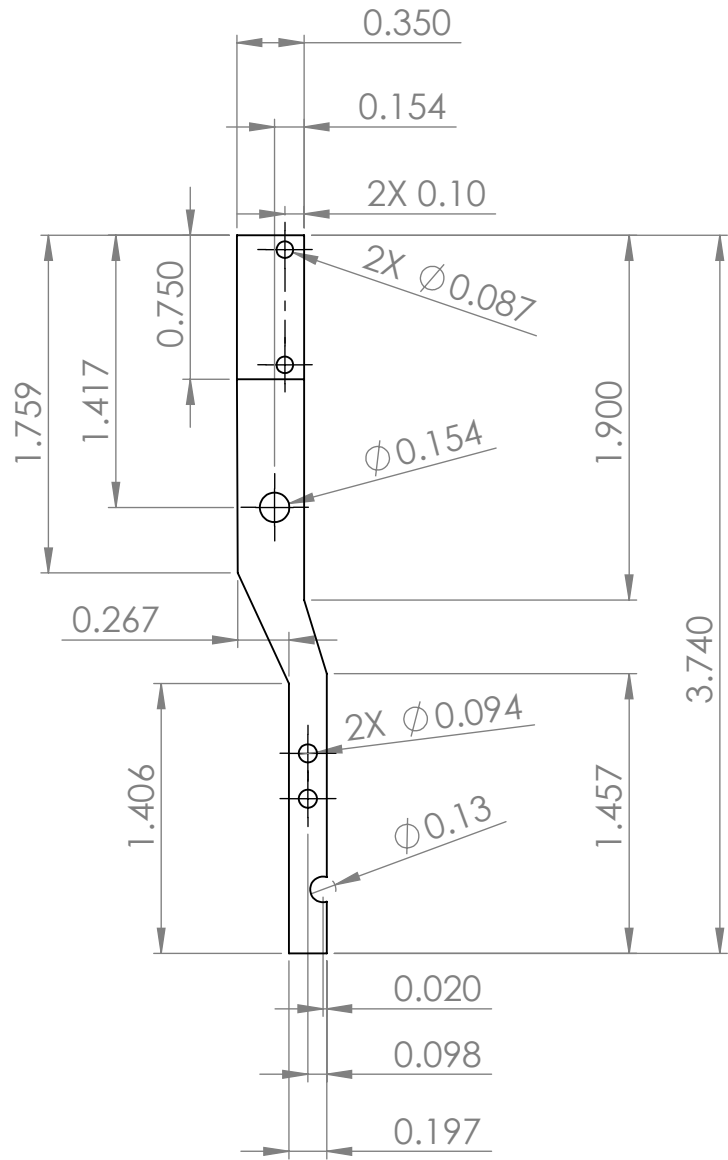
MATERIAL
AL6061

FINISH

TEAM #	P20129
TEAM NAME	F.R.O.H.S.T.
OWNER	CHRIS CANNON
DATE MODIFIED	TUESDAY, DECEMBER 10, 2019
SUBSYSTEM	ACTUATION
CONTACT PHONE	

COMMENTS:

MULTIDISCIPLINARY ENGINEERING AT
MER-I-T
RIT MSD
 Senior Design
 SIZE PartName/#
ARCHET HOUSING REV2B REV.
 SCALE:2:1 WEIGHT: SHEET 1 OF 1



DIMENSIONS ARE IN INCHES
 TOLERANCES:
 FRACTIONAL ±
 ANGULAR: MACH ± BEND ±
 TWO PLACE DECIMAL ±
 THREE PLACE DECIMAL ±

MATERIAL

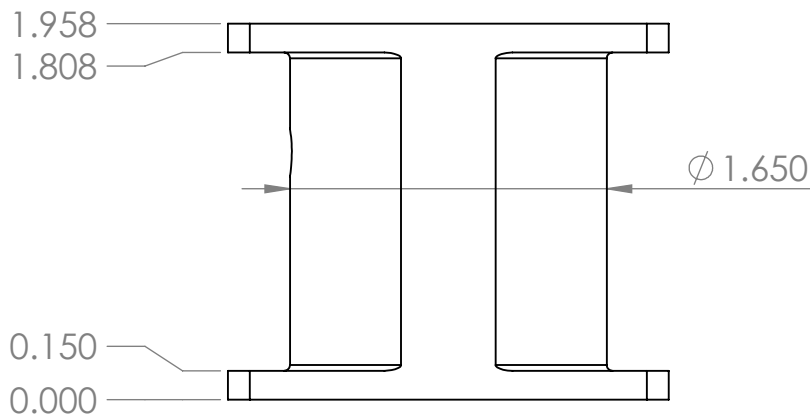
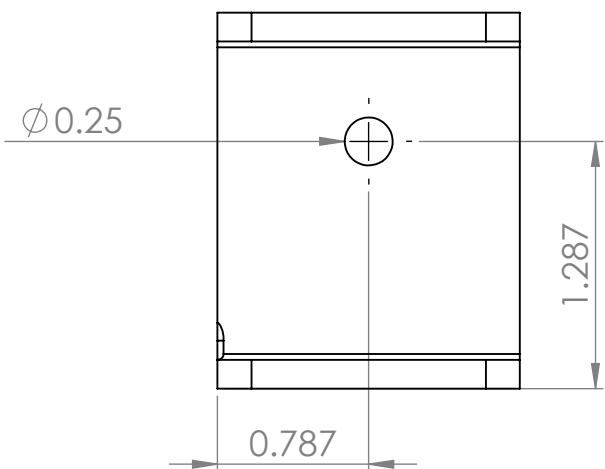
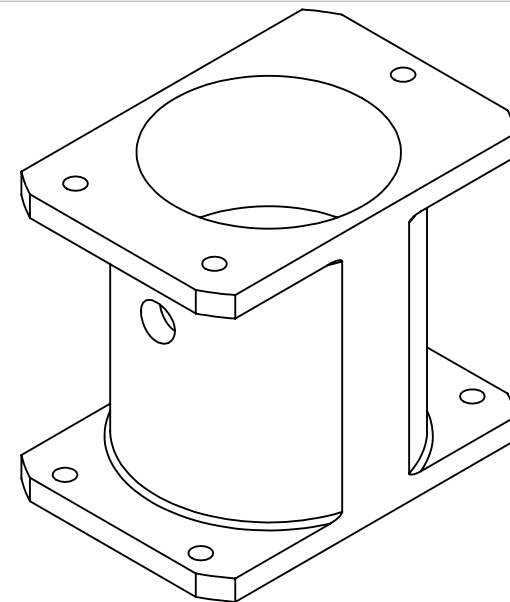
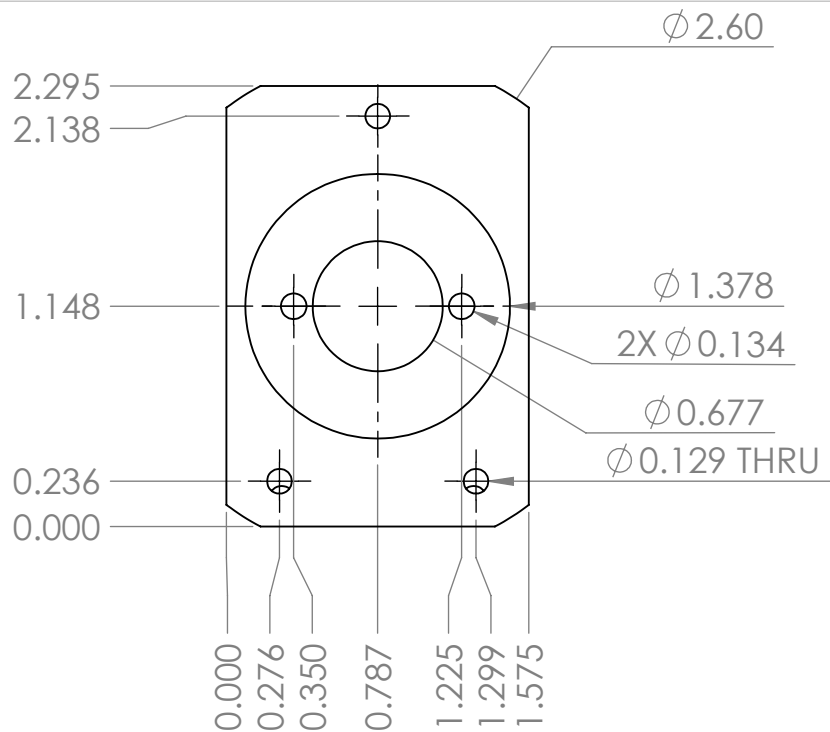
FINISH

TEAM #	P20129
TEAM NAME	F.R.OH.S.T.
OWNER	MATTHEW DAVERN
DATE MODIFIED	MONDAY, DECEMBER 9, 2019
SUBSYSTEM	
CONTACT PHONE	
COMMENTS:	

MULTIDISCIPLINARY ENGINEERING AT
MER-I-T
RIT MSD

Senior Design

SIZE	Part Name/#	REV.
A	RIGHT ARM	-
SCALE:1:1	WEIGHT:	SHEET 1 OF 1



DIMENSIONS ARE IN INCHES
 TOLERANCES:
 FRACTIONAL $\pm 1/16$
 ANGULAR: MACH ± 1 BEND ± 2
 TWO PLACE DECIMAL $\pm .01$
 THREE PLACE DECIMAL $\pm .005$

MATERIAL
 6061-T6

FINISH
 YES, PLEASE

TEAM #	P20129
TEAM NAME	F.R.O.H.S.T.
OWNER	J. LAWSON
DATE MODIFIED	TUESDAY, DECEMBER 10, 2019
SUBSYSTEM	SOLENOID
CONTACT PHONE	
COMMENTS:	QTY: 1

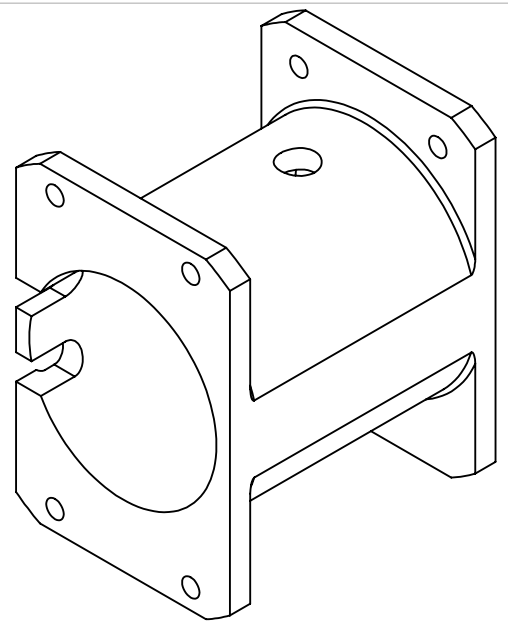
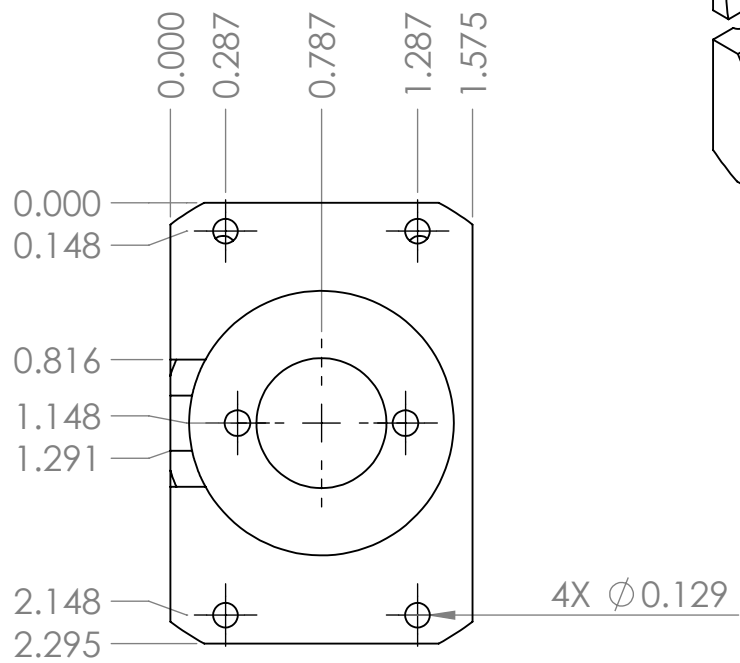
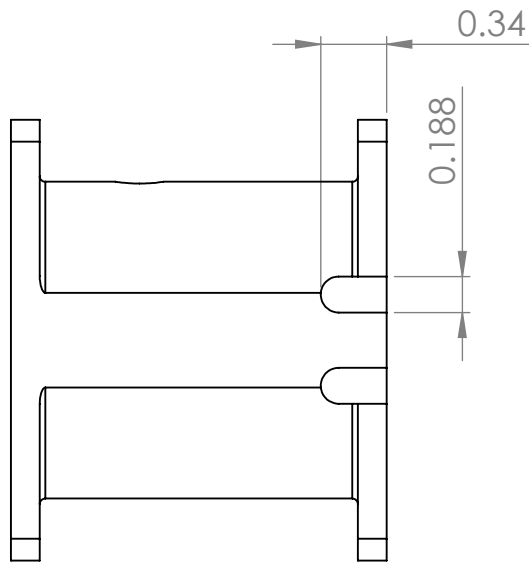
MULTIDISCIPLINARY ENGINEERING AT RIT



RIT MSD

Senior Design

SIZE	Part Name/#	REV.
A	SOLENOID HOUSING REV 2	
SCALE:1:1	WEIGHT:	SHEET 1 OF 2



DIMENSIONS ARE IN INCHES
 TOLERANCES:
 FRACTIONAL $\pm 1/16$
 ANGULAR: MACH ± 1 BEND ± 2
 TWO PLACE DECIMAL $\pm .010$
 THREE PLACE DECIMAL $\pm .005$

MATERIAL
 6061-T6

FINISH
 YES, PLEASE

TEAM #	P20129
TEAM NAME	F.R.O.H.S.T.
OWNER	J. LAWSON
DATE MODIFIED	TUESDAY, DECEMBER 10, 2019
SUBSYSTEM	SOLENOID
CONTACT PHONE	
COMMENTS:	

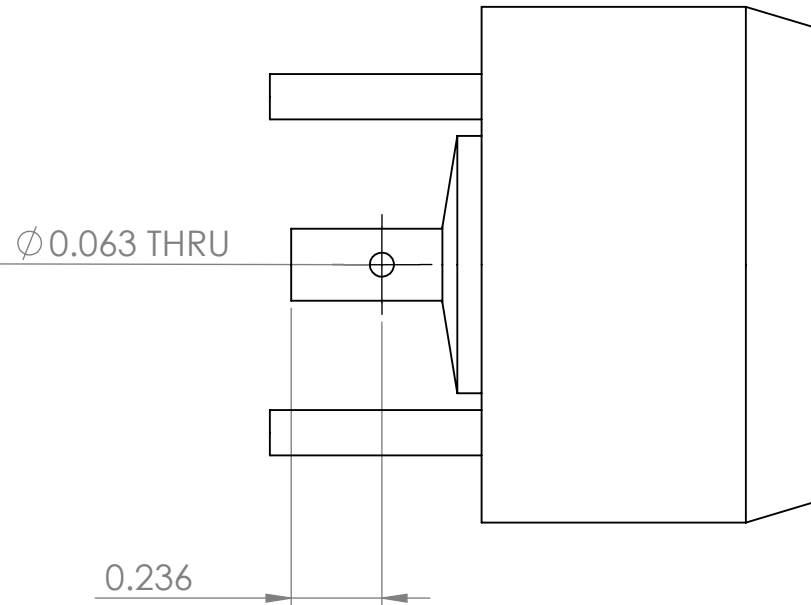
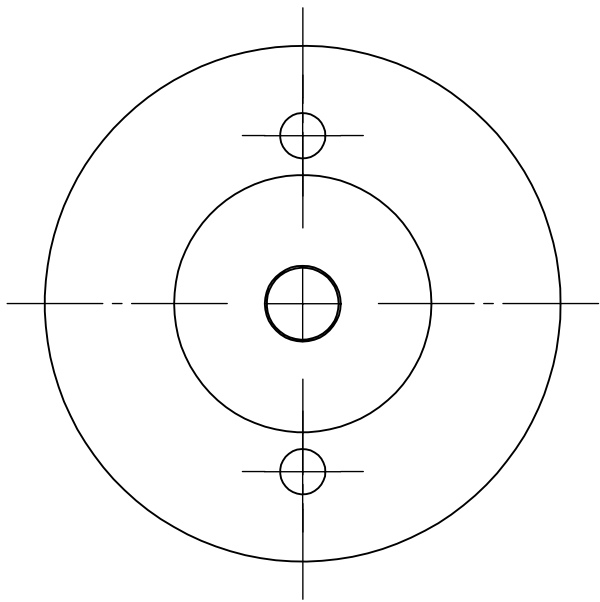
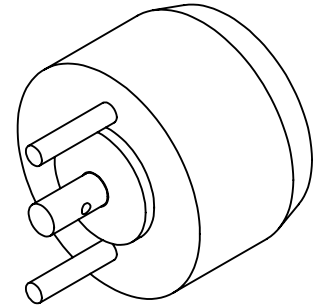
MULTIDISCIPLINARY ENGINEERING AT RIT



RIT MSD

Senior Design

SIZE	Part Name/#	REV.
A	SOLENOID HOUSING REV 2	
SCALE:1:1	WEIGHT:	SHEET 2 OF 2



DIMENSIONS ARE IN INCHES
 TOLERANCES:
 FRACTIONAL $\pm 1/16$
 ANGULAR: MACH ± 1 BEND ± 2
 TWO PLACE DECIMAL $\pm .01$
 THREE PLACE DECIMAL $\pm .005$

MATERIAL
 N/A

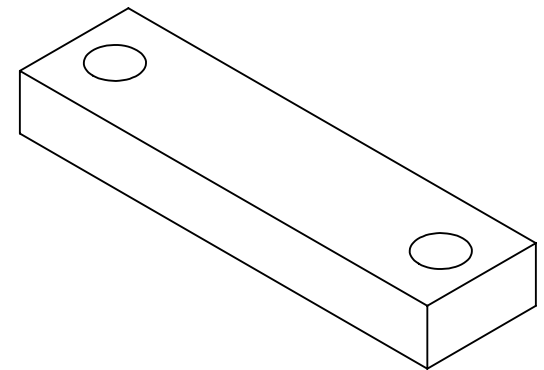
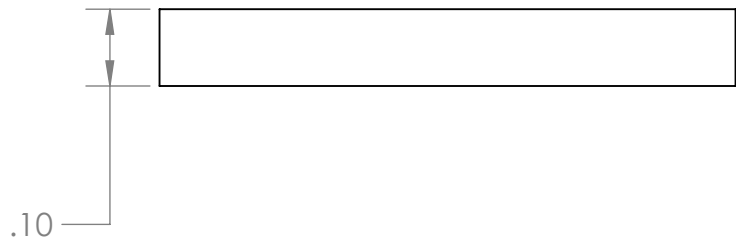
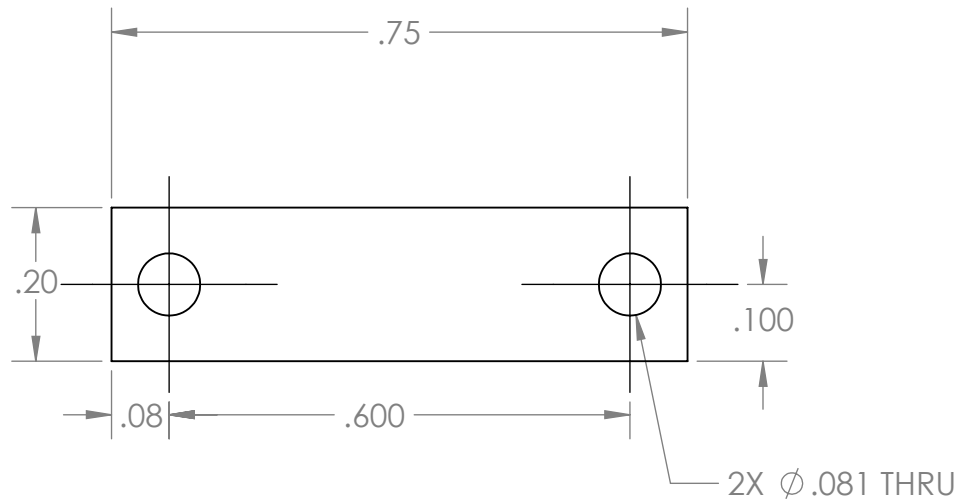
FINISH
 N/A

TEAM #	P20129
TEAM NAME	
OWNER	J. LAWSON
DATE MODIFIED	TUESDAY, JANUARY 28, 2020
SUBSYSTEM	
CONTACT PHONE	
COMMENTS:	

MULTIDISCIPLINARY ENGINEERING AT
MER-I-T
RIT MSD

Senior Design

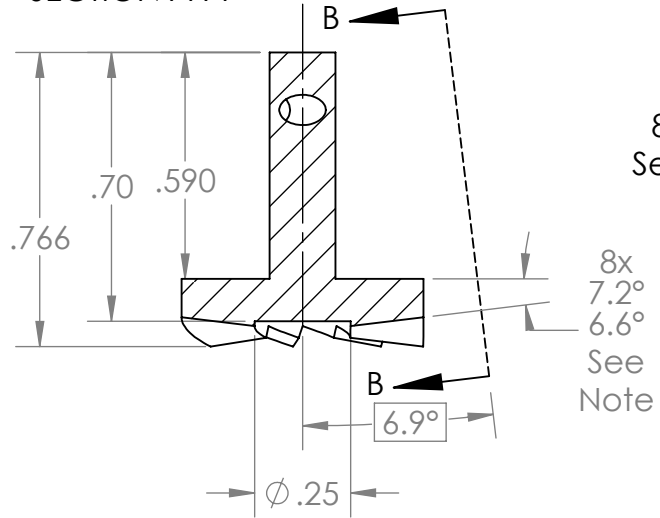
SIZE	Part Name/#	REV.
A	SOLENOID	
SCALE:2:1	WEIGHT:	SHEET 1 OF 1



DIMENSIONS ARE IN INCHES TOLERANCES: FRACTIONAL $\pm 1/16$ ANGULAR: MACH ± 1 BEND ± 2 TWO PLACE DECIMAL ± 0.01 THREE PLACE DECIMAL ± 0.005	TEAM #	P20129
	TEAM NAME	F.R.O.S.H.T.
	OWNER	CHRIS CANNON
	DATE MODIFIED	TUESDAY, DECEMBER 10, 2019
	SUBSYSTEM	HEAT PATH
MATERIAL	COPPER	
FINISH	COMMENTS:	

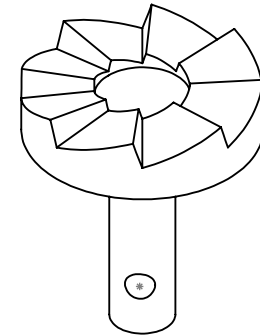
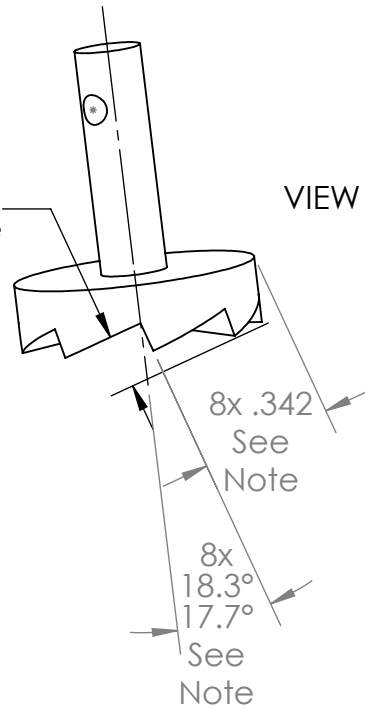
RIT MSD
 Senior Design
 SIZE Part Name/#
A UPPER CLAMP REV.
 SCALE:4:1 WEIGHT: SHEET 1 OF 1

SECTION A-A

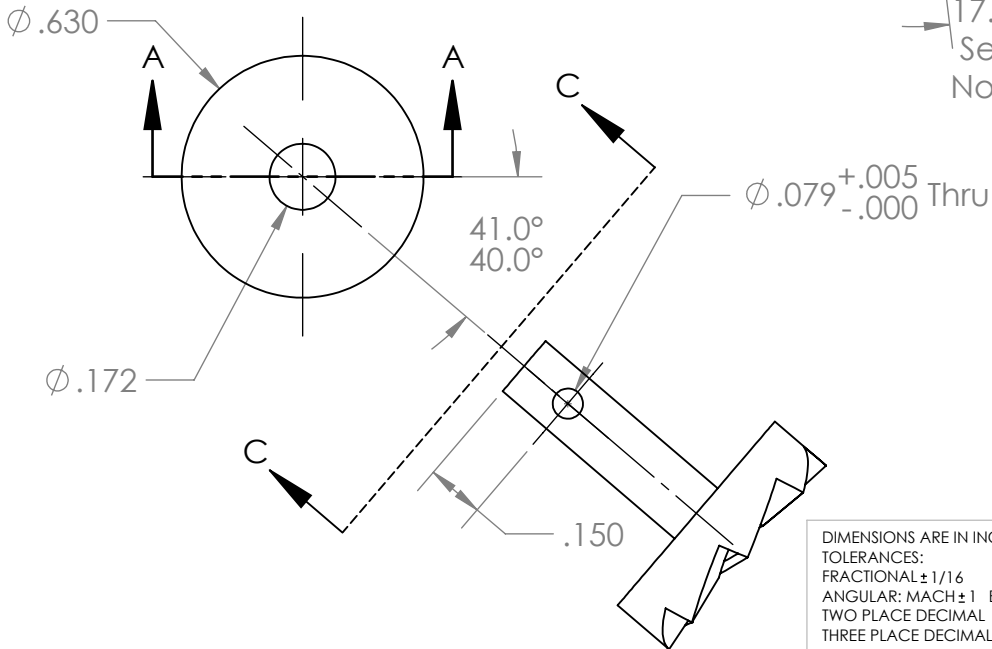


8x .140
See Note

VIEW B-B



Note:
Features equally
spaced about
center axis
(45 deg)



VIEW C-C

DIMENSIONS ARE IN INCHES
TOLERANCES:
FRACTIONAL $\pm 1/16$
ANGULAR: MACH ± 1 BEND ± 2
TWO PLACE DECIMAL $\pm .01$
THREE PLACE DECIMAL $\pm .005$

MATERIAL
AL7075

FINISH

TEAM #	P20129
TEAM NAME	F.R.O.H.S.T.
OWNER	CHRIS CANNON
DATE MODIFIED	TUESDAY, DECEMBER 10, 2019
SUBSYSTEM	ACTUATION
CONTACT PHONE	

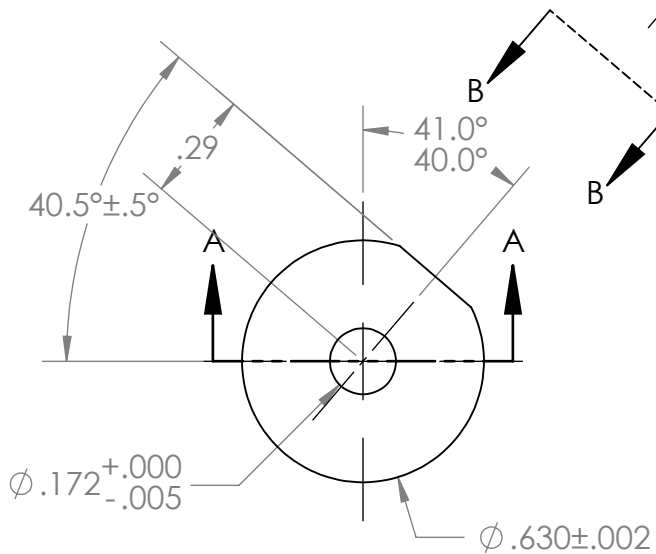
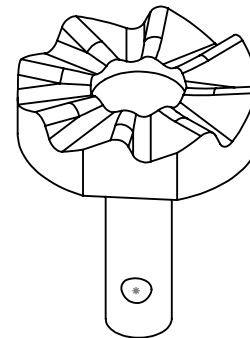
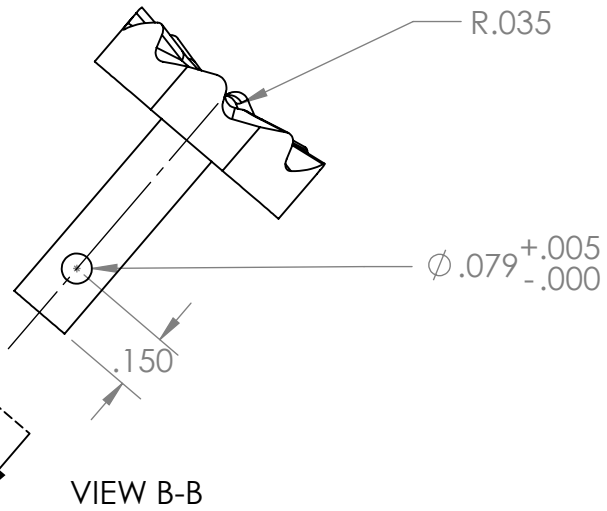
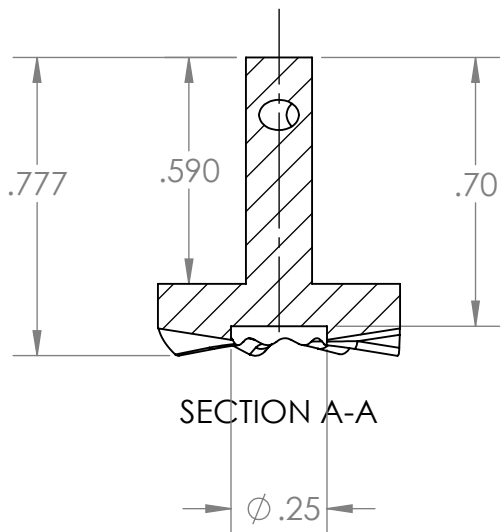
COMMENTS:



RIT MSD

Senior Design

SIZE	Part Name/#	REV.
A	UPPER RATCHET REV2	
SCALE:2:1	WEIGHT:	SHEET 1 OF 1



DIMENSIONS ARE IN INCHES
 TOLERANCES:
 FRACTIONAL $\pm 1/16$
 ANGULAR: MACH ± 1 BEND ± 2
 TWO PLACE DECIMAL $\pm .01$
 THREE PLACE DECIMAL $\pm .005$

MATERIAL
 AL7075

FINISH

TEAM #	P20129
TEAM NAME	F.R.O.H.S.T.
OWNER	CHRIS CANNON
DATE MODIFIED	THURSDAY, FEBRUARY 6, 2020
SUBSYSTEM	ACTUATION
CONTACT PHONE	

COMMENTS:

MULTIDISCIPLINARY ENGINEERING AT ITS BEST

RIT MSD

Senior Design

SIZE	Part Name/#	REV.
SCALE:2:1	A UPPER RATCHET REV2B	
WEIGHT:		SHEET 1 OF 1