

CAN_USB



CAN_USB.sch

SRAM



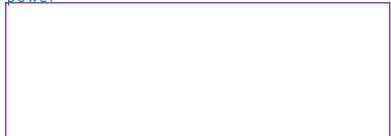
SRAM.sch

analog front end



analog.sch

power



power.sch

analog-digital



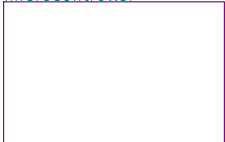
analog-digital.sch

digital inputs



digital_inputs.sch

microcontroller



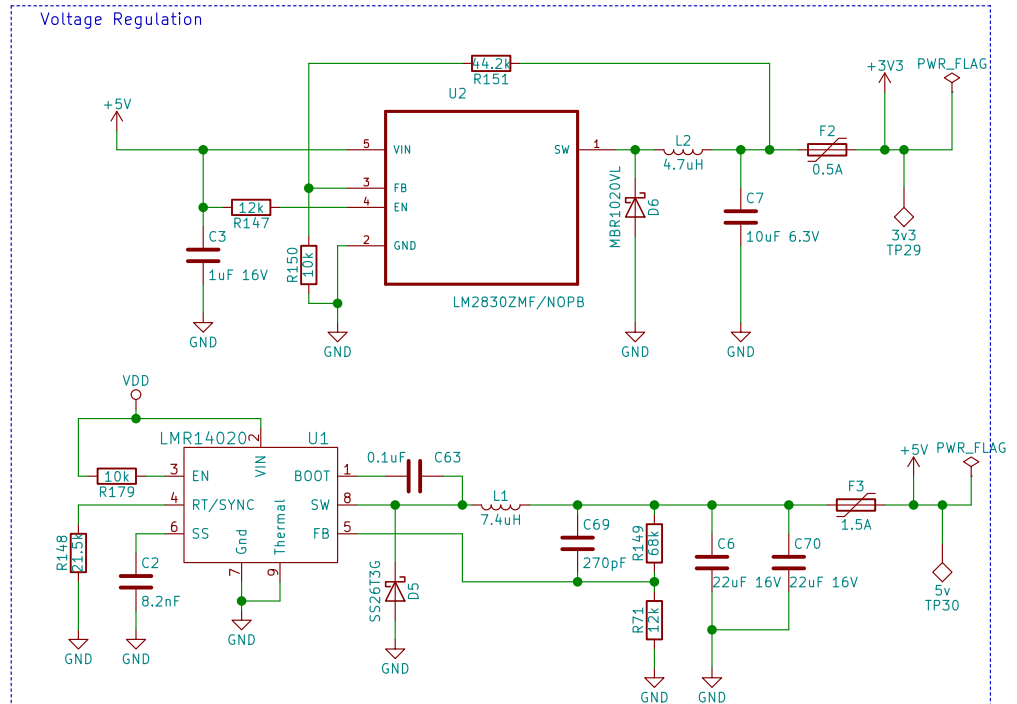
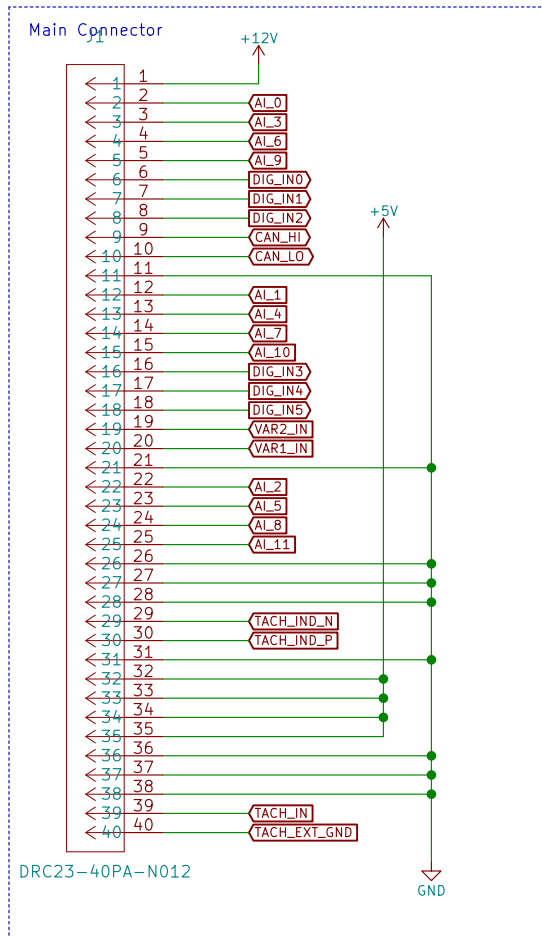
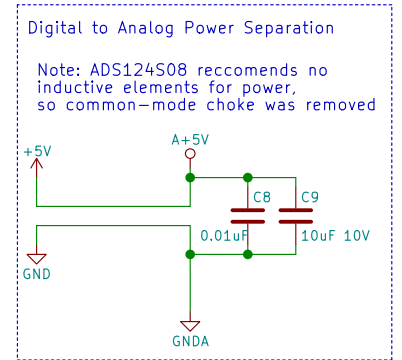
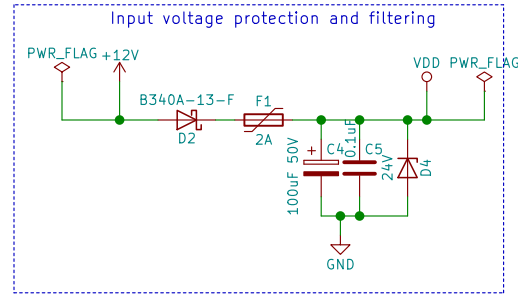
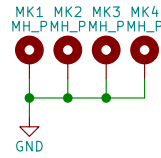
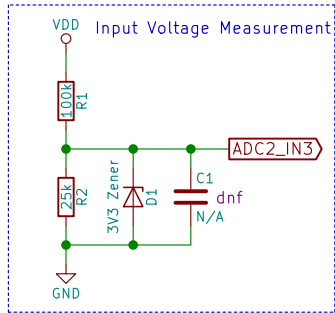
microcontroller.sch

Sheet: /
File: daqboard.sch

Title:

Size: USLetter | Date:
KiCad E.D.A. kicad 4.0.7-e2-637658ubuntu16.04.1

Rev:
Id: 1/8



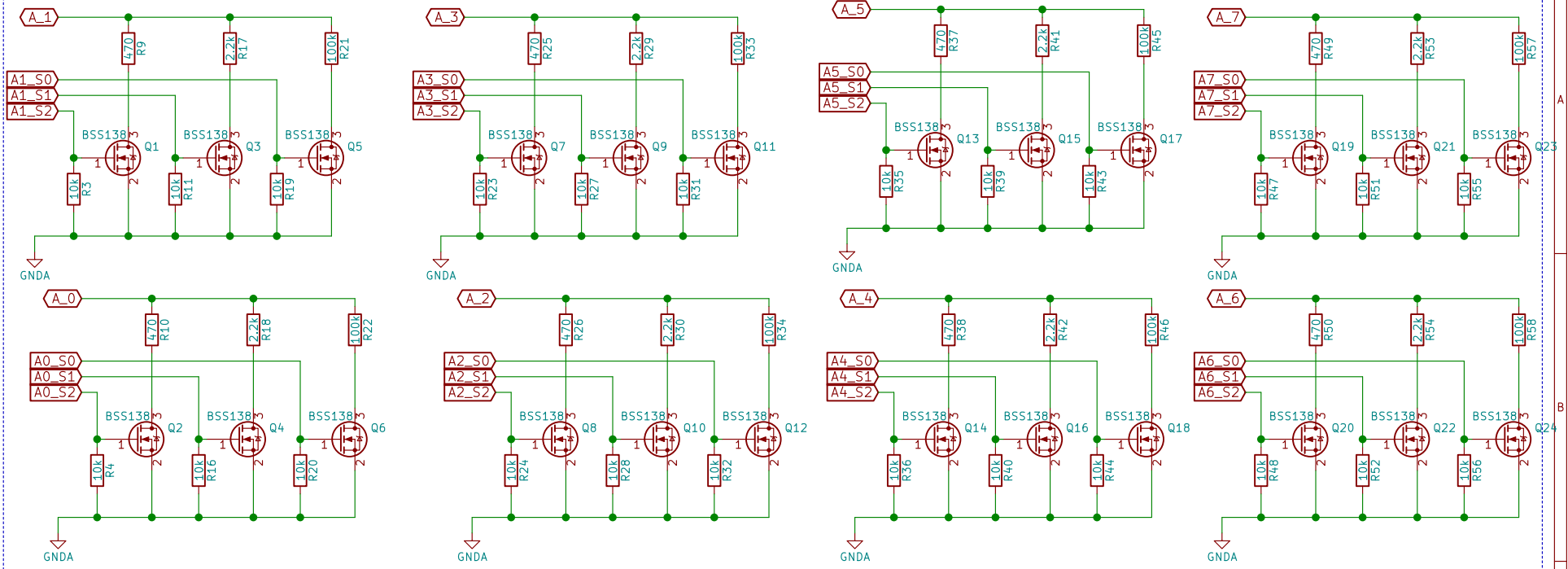
Sheet: /power/
File: power.sch

Title: Power

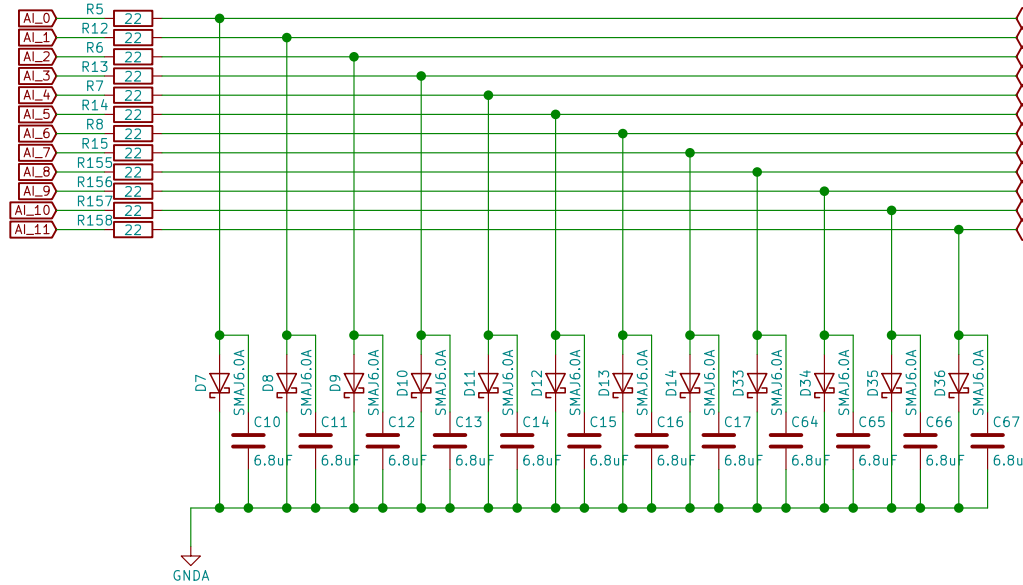
Size: USLetter Date:
KiCad E.D.A. kicad 4.0.7-e2-637658ubuntu16.04.1

Rev:
Id: 2/8

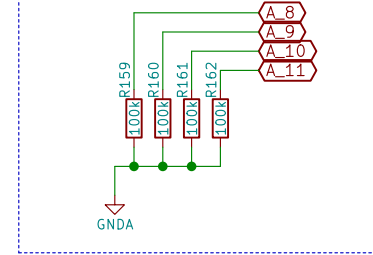
Software Selectable Pull-Down Resistors



Analog input filtering and protection



Fixed Resistors (AIN8-11)



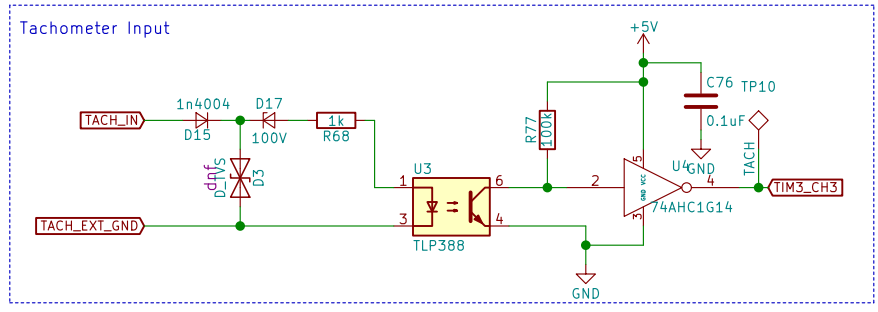
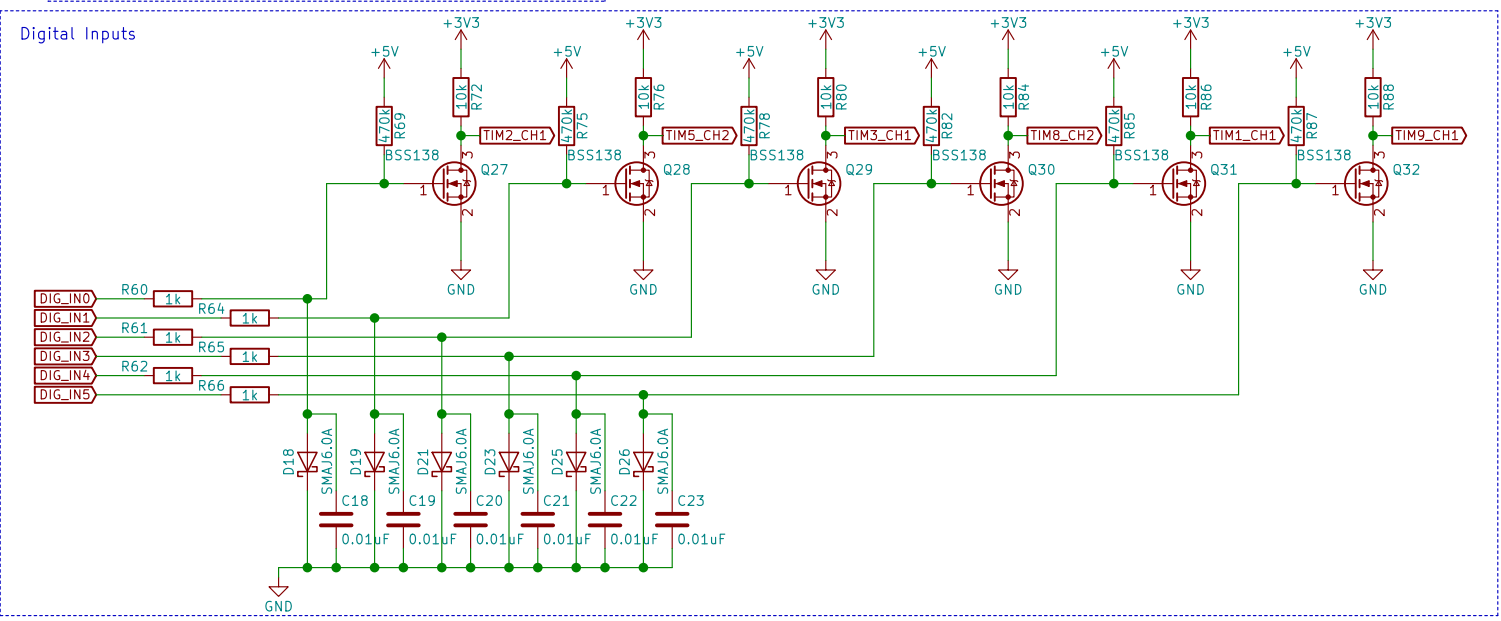
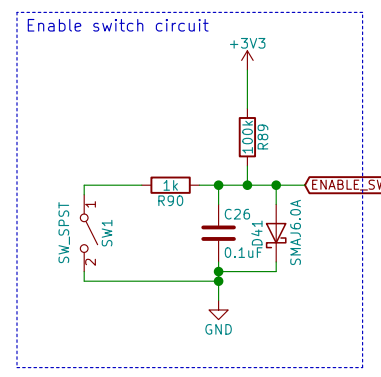
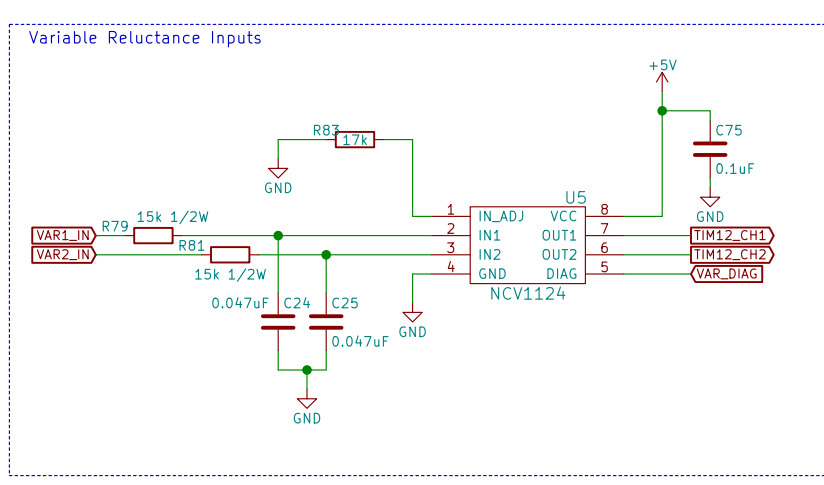
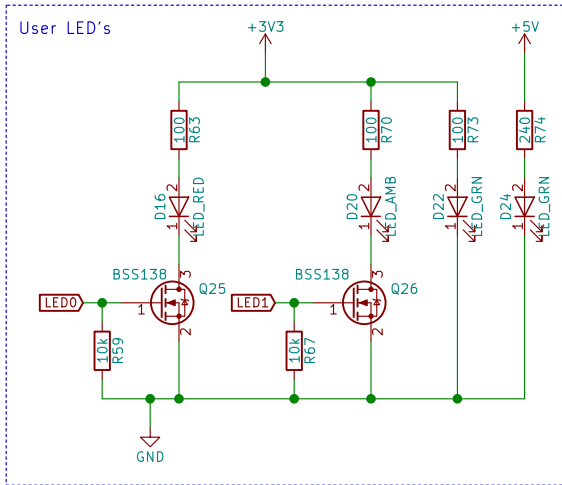
RITPushers

Sheet: /analog_front_end/
File: analog.sch

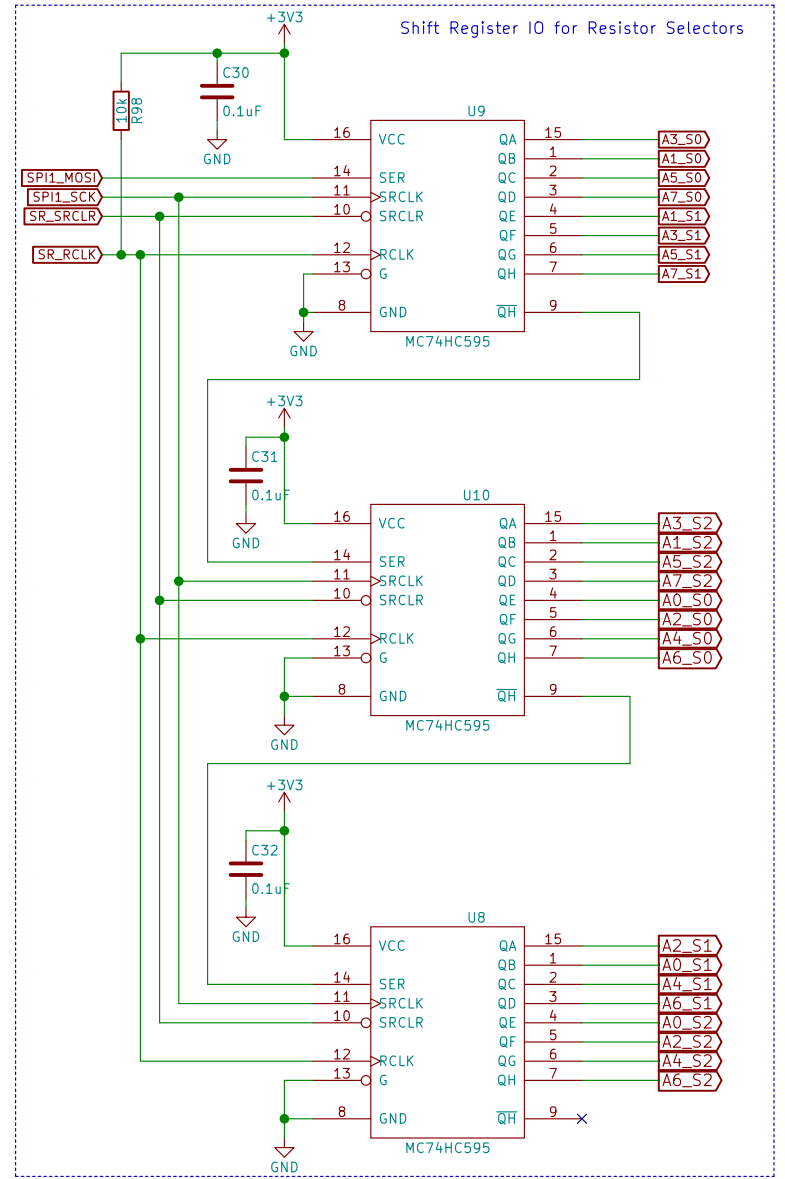
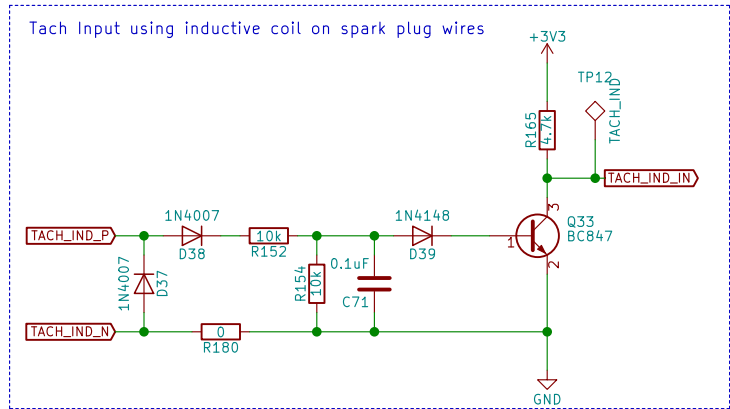
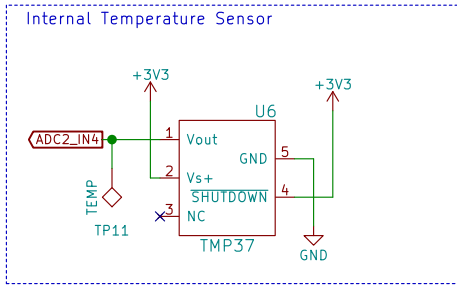
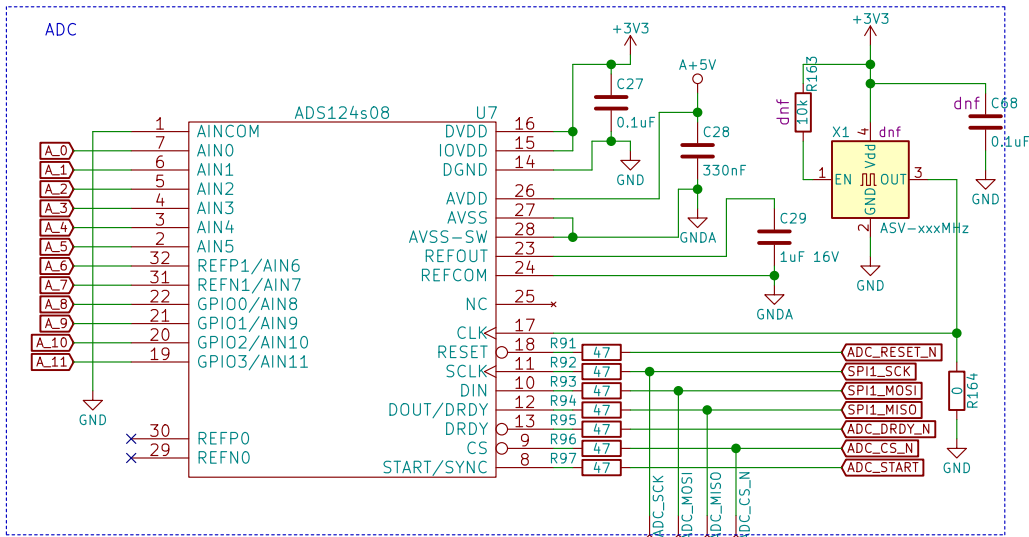
Title: Analog Front End

Size: USLetter Date:
KiCad E.D.A. kicad 4.0.7-e2-637658ubuntu16.04.1

Rev:
Id: 3/8



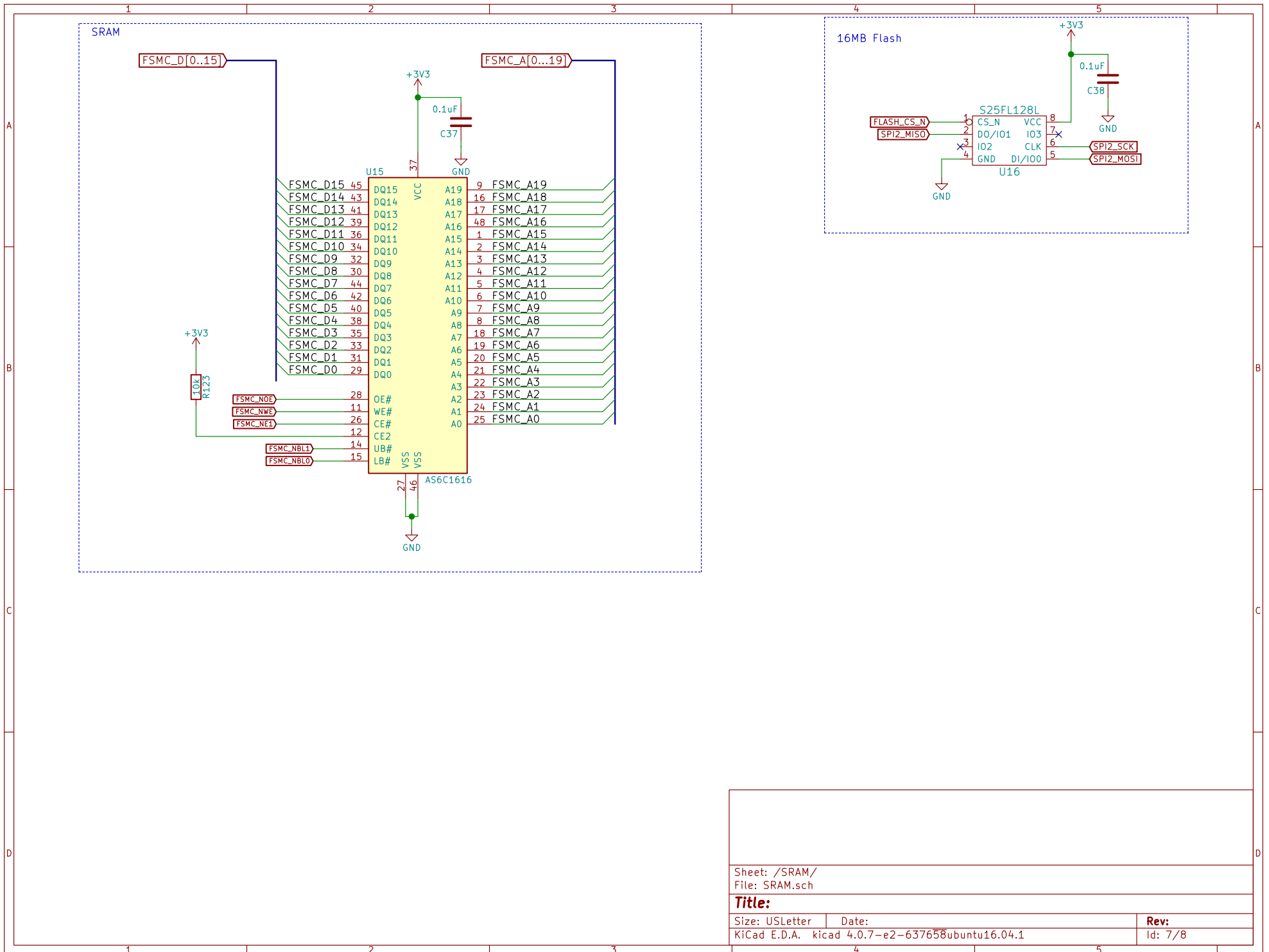
Sheet: /digital_inputs/		File: digital_inputs.sch	
Title: Digital Sensors			
Size: USLetter	Date:	Rev:	
KiCad E.D.A. kicad 4.0.7-e2-637658ubuntu16.04.1		Id: 4/8	



Sheet: /analog-digital/
File: analog-digital.sch

Title: Analog to Digital

Size: USLetter Date: Rev:
KiCad E.D.A. kicad 4.0.7-e2-637658ubuntu16.04.1 Id: 5/8



Sheet: /SRAM/ File: SRAM.sch	
Title:	
Size: USLetter	Date:
KiCad E.D.A. kicad 4.0.7-e2-637658ubuntu16.04.1	Rev: 7/8

