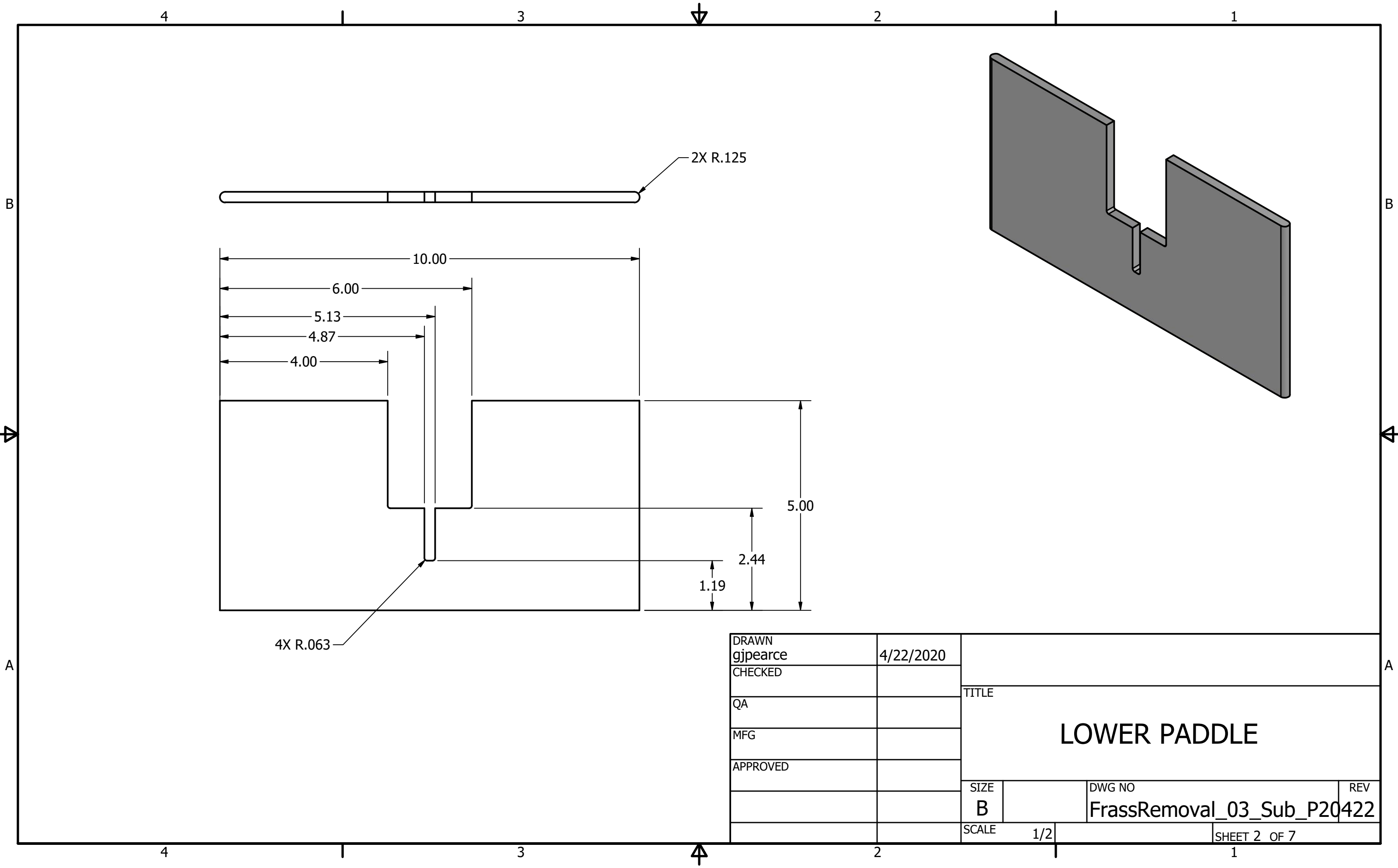
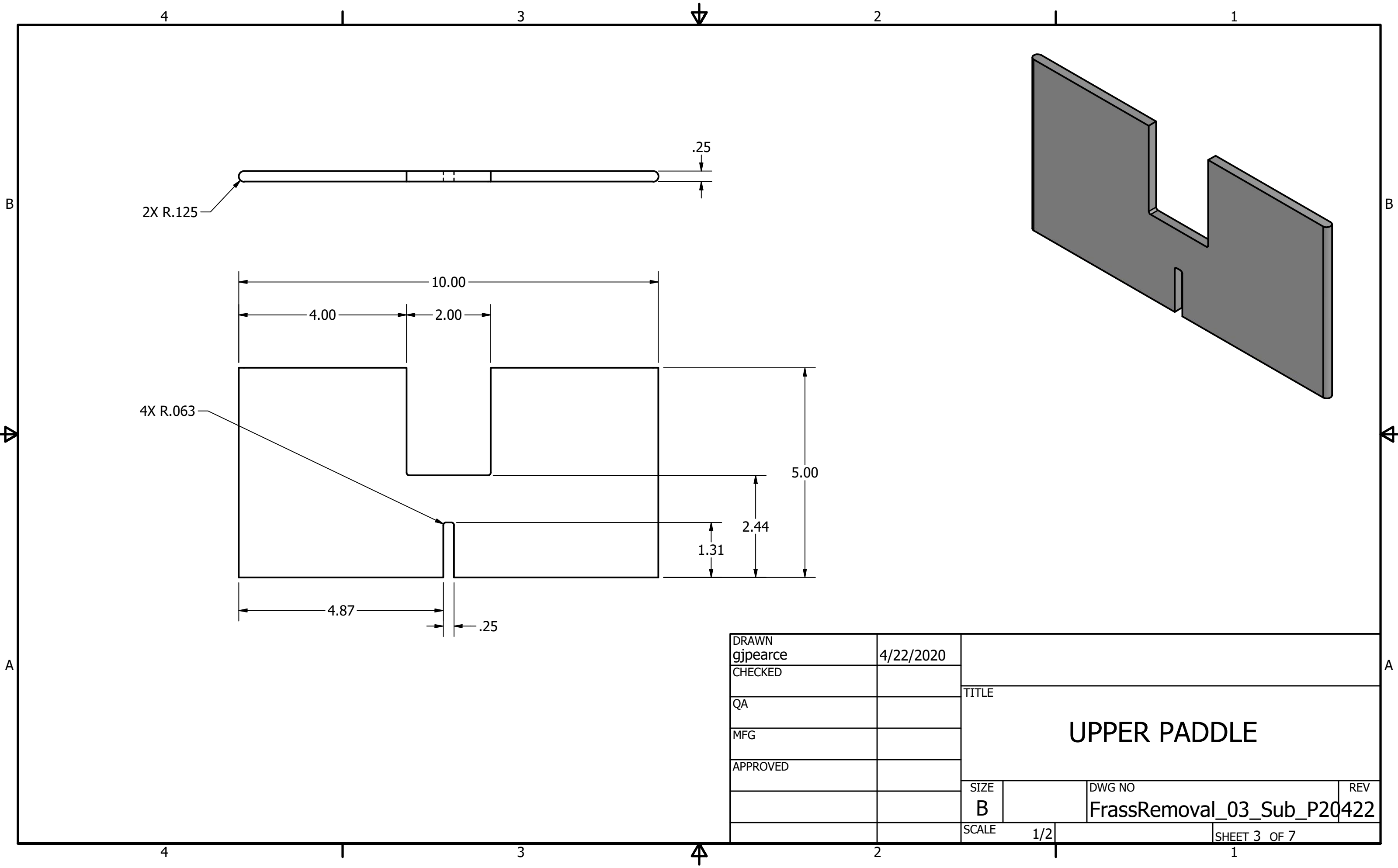


| PARTS LIST |     |  |             |
|------------|-----|--|-------------|
| ITEM       | QTY | PART NUMBER                              | DESCRIPTION |
| 1          | 1   | LOWER PADDLE                             |             |
| 2          | 1   | UPPER PADDLE                             |             |
| 3          | 1   | PADDLE HUB                               |             |
| 4          | 2   | TwoSocketCross_SimplifiedB<br>uilding_03 |             |
| 5          | 1   | FRASS REMOVAL SHAFT                      |             |
| 6          | 4   | FRASS AGITATOR                           |             |
| 7          | 1   | FRASS REMOVAL HANDLE                     |             |
| 8          | 1   | ThreeSocketTee_SimplifiedB<br>uilding_03 |             |

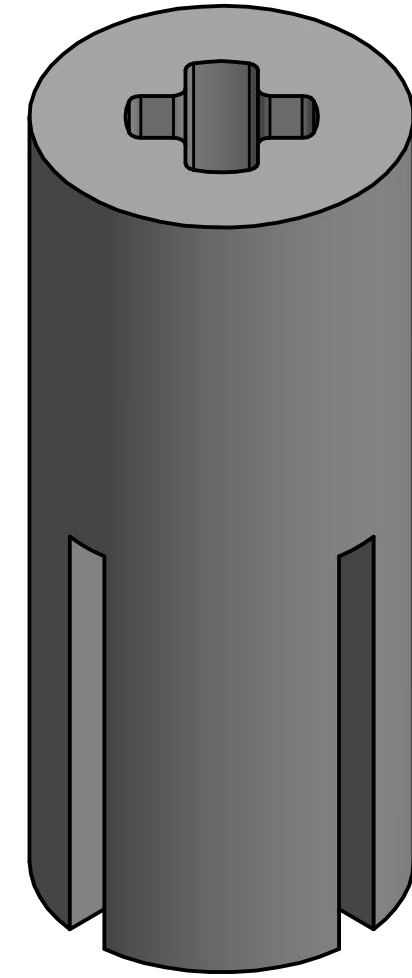
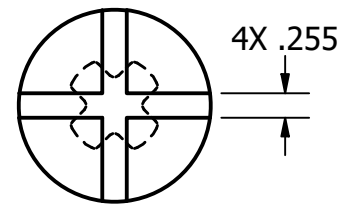
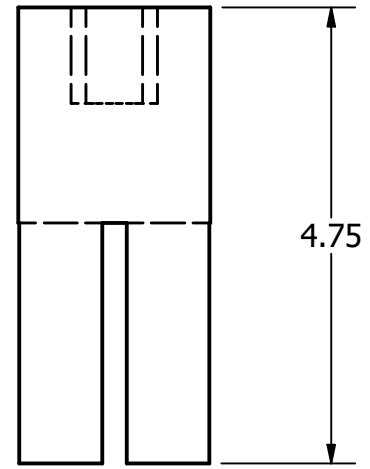
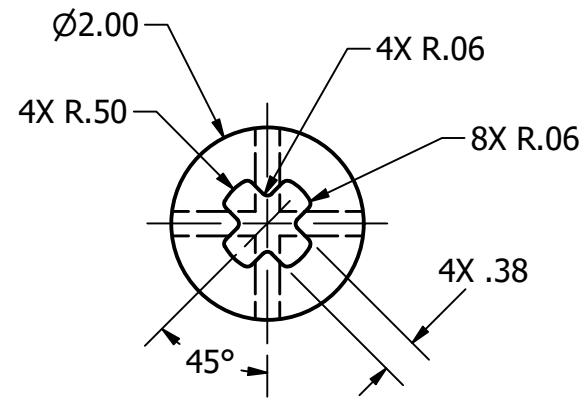
|                   |           |   |                                      |
|-------------------|-----------|---|--------------------------------------|
| DRAWN<br>gjpearce | 4/22/2020 | TITLE<br><b>P20422_FrassRemoval_Sub_ASM</b> |                                      |
| CHECKED           |           |   |                                      |
| QA                |           |   |                                      |
| MFG               |           |   |                                      |
| APPROVED          |           | SIZE<br><b>B</b>                            | DWG NO<br>FrassRemoval_03_Sub_P20422 |
|                   |           | SCALE<br>1/4                                | REV<br>SHEET 1 OF 7                  |



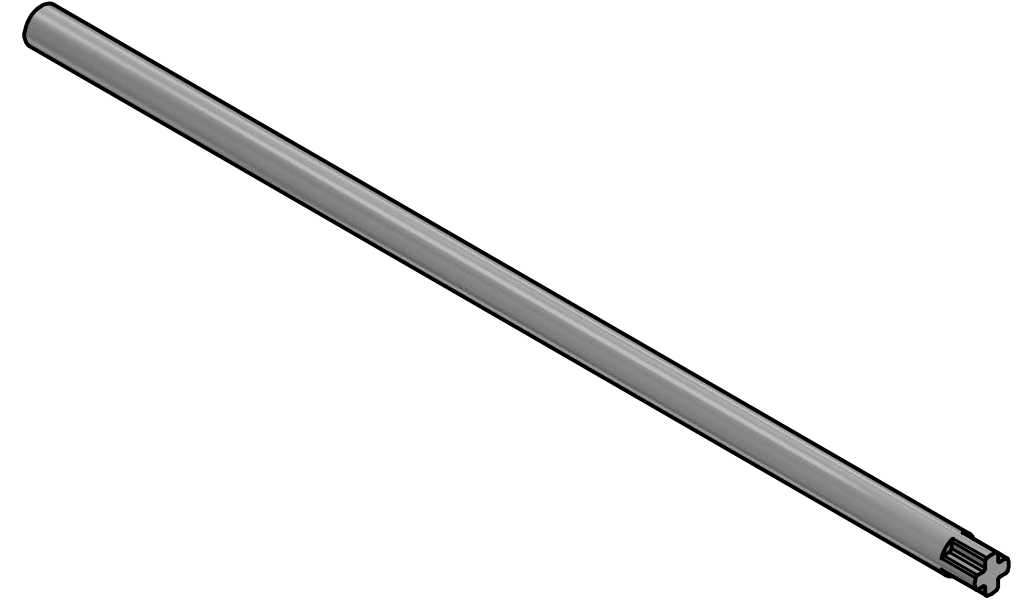
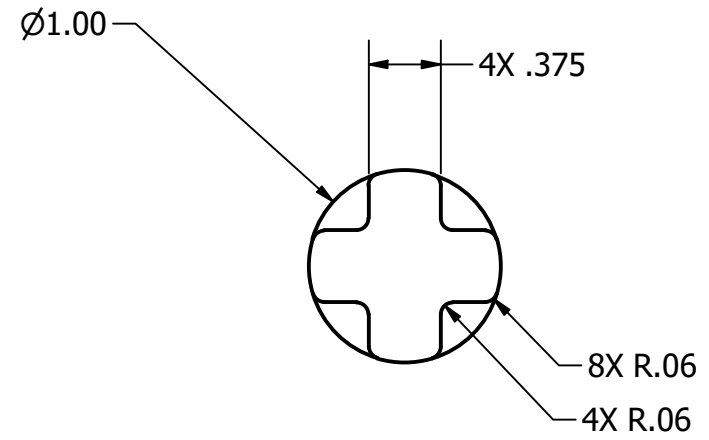
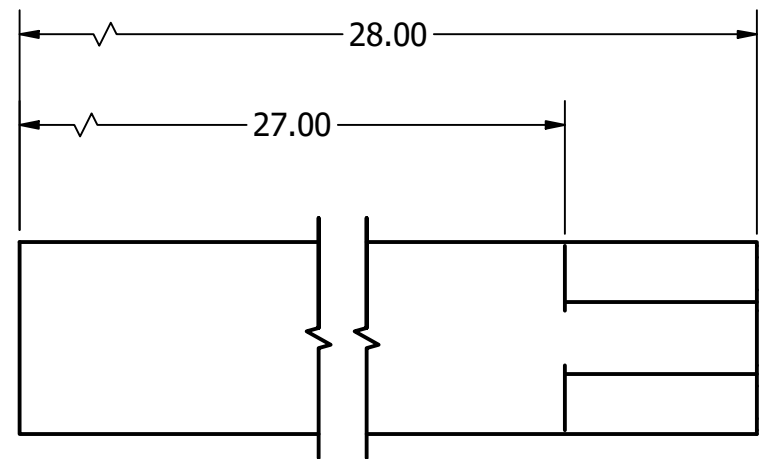
|          |          |           |                     |                            |              |
|----------|----------|-----------|---------------------|----------------------------|--------------|
| DRAWN    | gjpearce | 4/22/2020 | TITLE               |                            |              |
| CHECKED  |          |           | <b>LOWER PADDLE</b> |                            |              |
| QA       |          |           |                     |                            |              |
| MFG      |          |           |                     |                            |              |
| APPROVED |          |           |                     |                            |              |
|          |          |           | SIZE                | DWG NO                     | REV          |
|          |          |           | <b>B</b>            | FrassRemoval_03_Sub_P20422 |              |
|          |          |           | SCALE               | 1/2                        | SHEET 2 OF 7 |



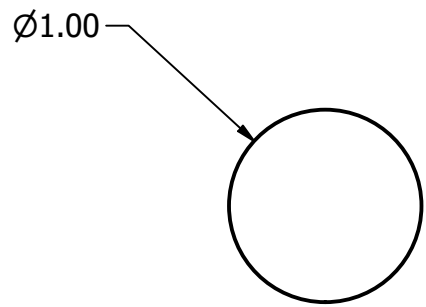
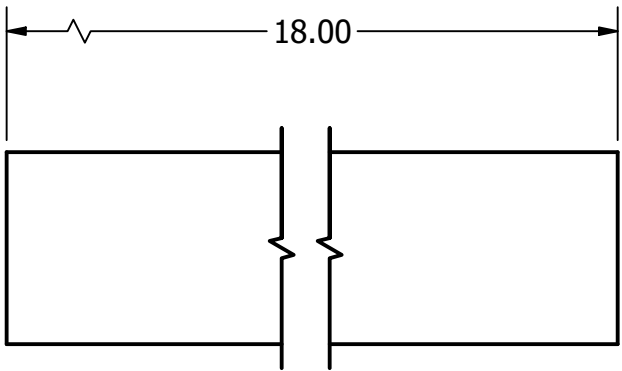
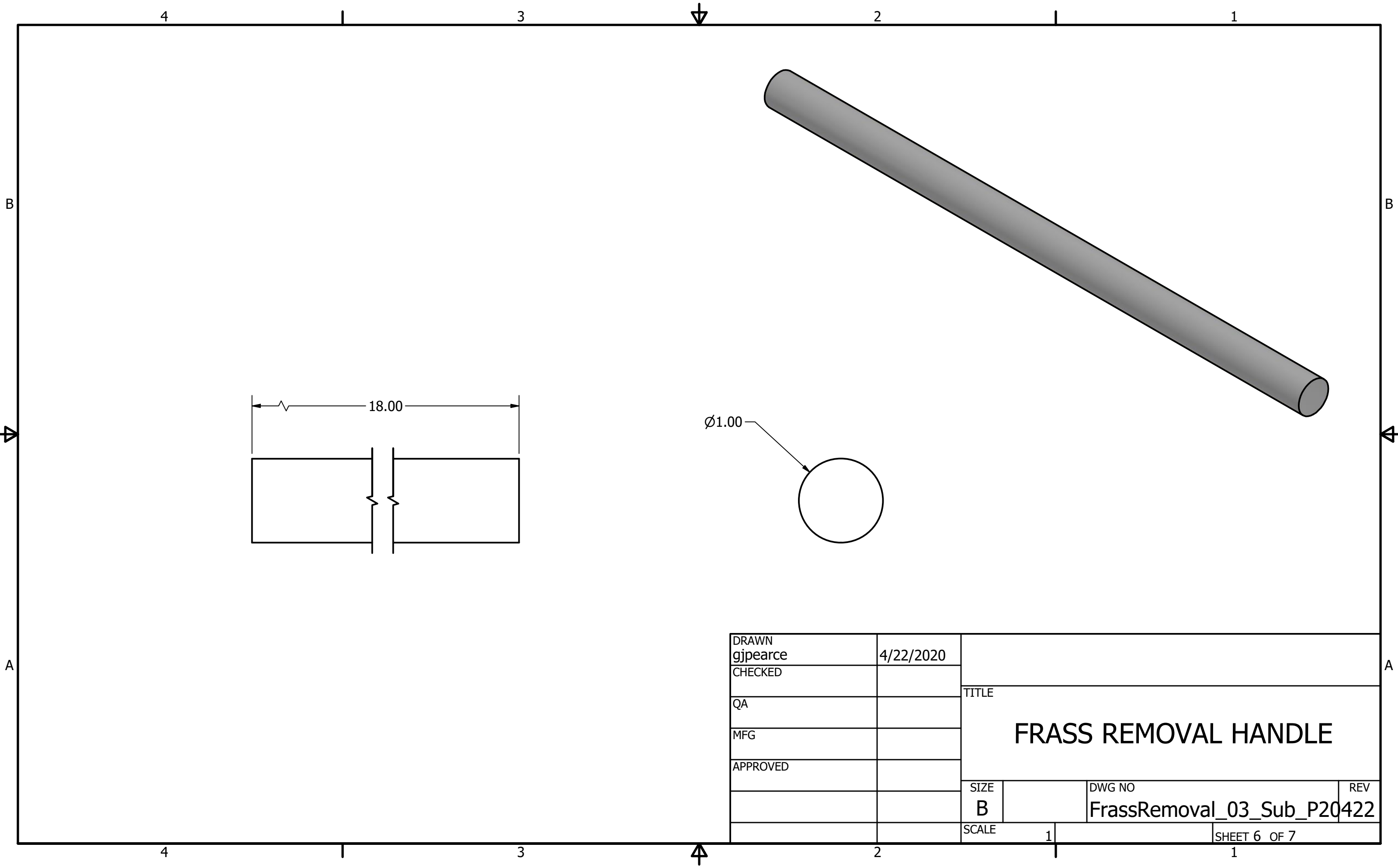
|          |          |           |                                  |                            |              |
|----------|----------|-----------|----------------------------------|----------------------------|--------------|
| DRAWN    | gjpearce | 4/22/2020 | TITLE<br><br><b>UPPER PADDLE</b> |                            |              |
| CHECKED  |          |           |                                  |                            |              |
| QA       |          |           |                                  |                            |              |
| MFG      |          |           |                                  |                            |              |
| APPROVED |          |           | SIZE                             | DWG NO                     | REV          |
|          |          |           | <b>B</b>                         | FrassRemoval_03_Sub_P20422 |              |
|          |          |           | SCALE                            | 1/2                        | SHEET 3 OF 7 |



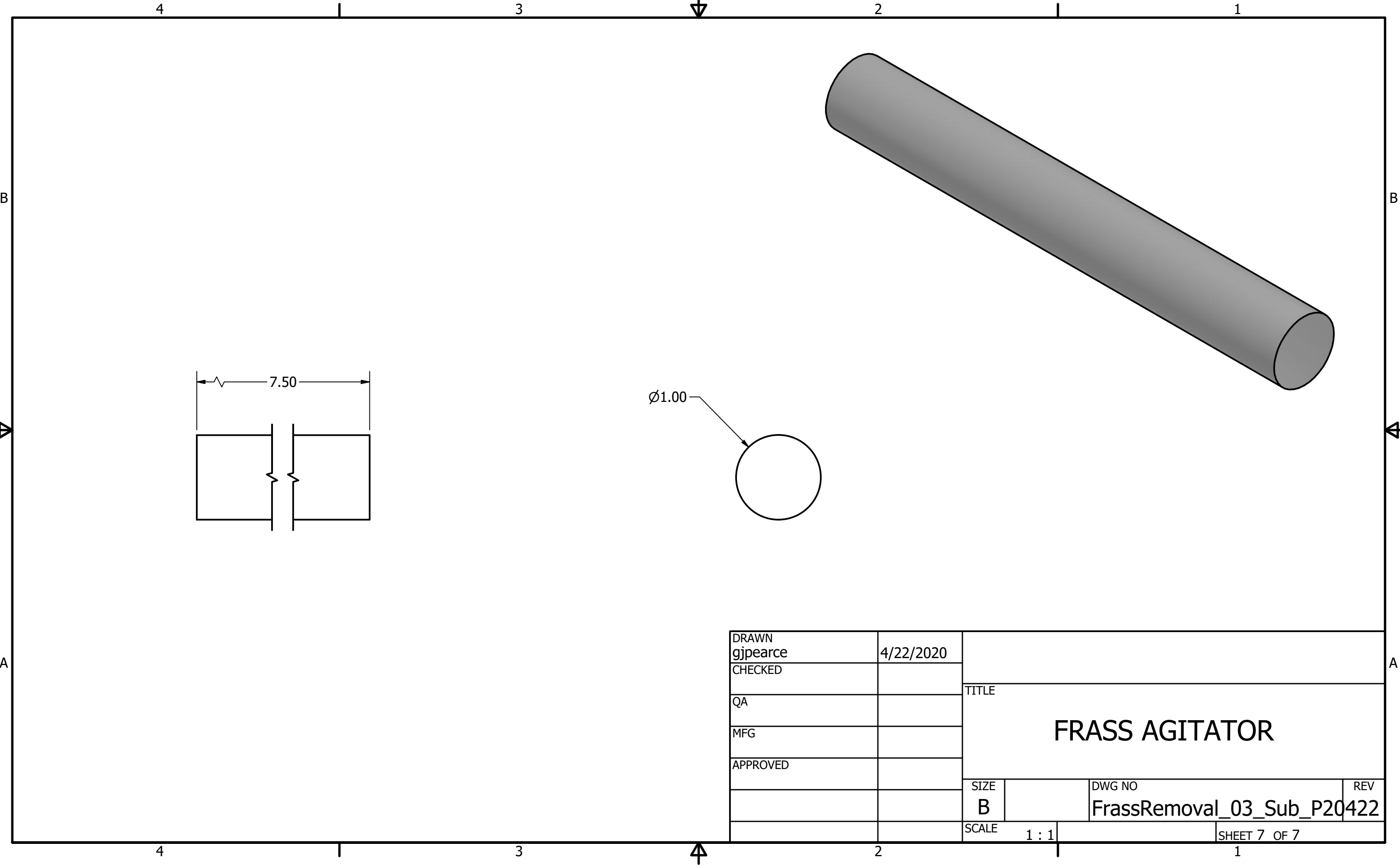
|                   |           |                                |                                      |     |
|-------------------|-----------|--------------------------------|--------------------------------------|-----|
| DRAWN<br>gjpearce | 4/22/2020 | TITLE<br><br><b>PADDLE HUB</b> |                                      |     |
| CHECKED           |           |                                |                                      |     |
| QA                |           |                                |                                      |     |
| MFG               |           |                                |                                      |     |
| APPROVED          |           | SIZE<br><b>B</b>               | DWG NO<br>FrassRemoval_03_Sub_P20422 | REV |
|                   |           | SCALE<br>1/2                   | SHEET 4 OF 7                         |     |



|          |          |           |                            |              |
|----------|----------|-----------|----------------------------|--------------|
| DRAWN    | gjpearce | 4/22/2020 |                            |              |
| CHECKED  |          |           |                            |              |
| QA       |          |           | TITLE                      |              |
| MFG      |          |           | FRASS REMOVAL SHAFT        |              |
| APPROVED |          |           |                            |              |
|          |          | SIZE      | DWG NO                     | REV          |
|          |          | B         | FrassRemoval_03_Sub_P20422 |              |
|          |          | SCALE     | 1:1                        | SHEET 5 OF 7 |



|          |          |           |                                      |                            |
|----------|----------|-----------|--------------------------------------|----------------------------|
| DRAWN    | gjpearce | 4/22/2020 | TITLE<br><b>FRASS REMOVAL HANDLE</b> |                            |
| CHECKED  |          |           |                                      |                            |
| QA       |          |           |                                      |                            |
| MFG      |          |           |                                      |                            |
| APPROVED |          |           | SIZE                                 | DWG NO                     |
|          |          |           | <b>B</b>                             | FrassRemoval_03_Sub_P20422 |
|          |          |           | SCALE                                | REV                        |
|          |          |           | 1                                    | 1                          |
|          |          |           | SHEET 6 OF 7                         |                            |



|          |          |           |                |                            |              |
|----------|----------|-----------|----------------|----------------------------|--------------|
| DRAWN    | gjpearce | 4/22/2020 | TITLE          |                            |              |
| CHECKED  |          |           | FRASS AGITATOR |                            |              |
| QA       |          |           |                |                            |              |
| MFG      |          |           |                |                            |              |
| APPROVED |          |           |                |                            |              |
|          |          |           | SIZE           | DWG NO                     | REV          |
|          |          |           | B              | FrassRemoval_03_Sub_P20422 |              |
|          |          |           | SCALE          | 1 : 1                      | SHEET 7 OF 7 |